

MAP FILE M169-22

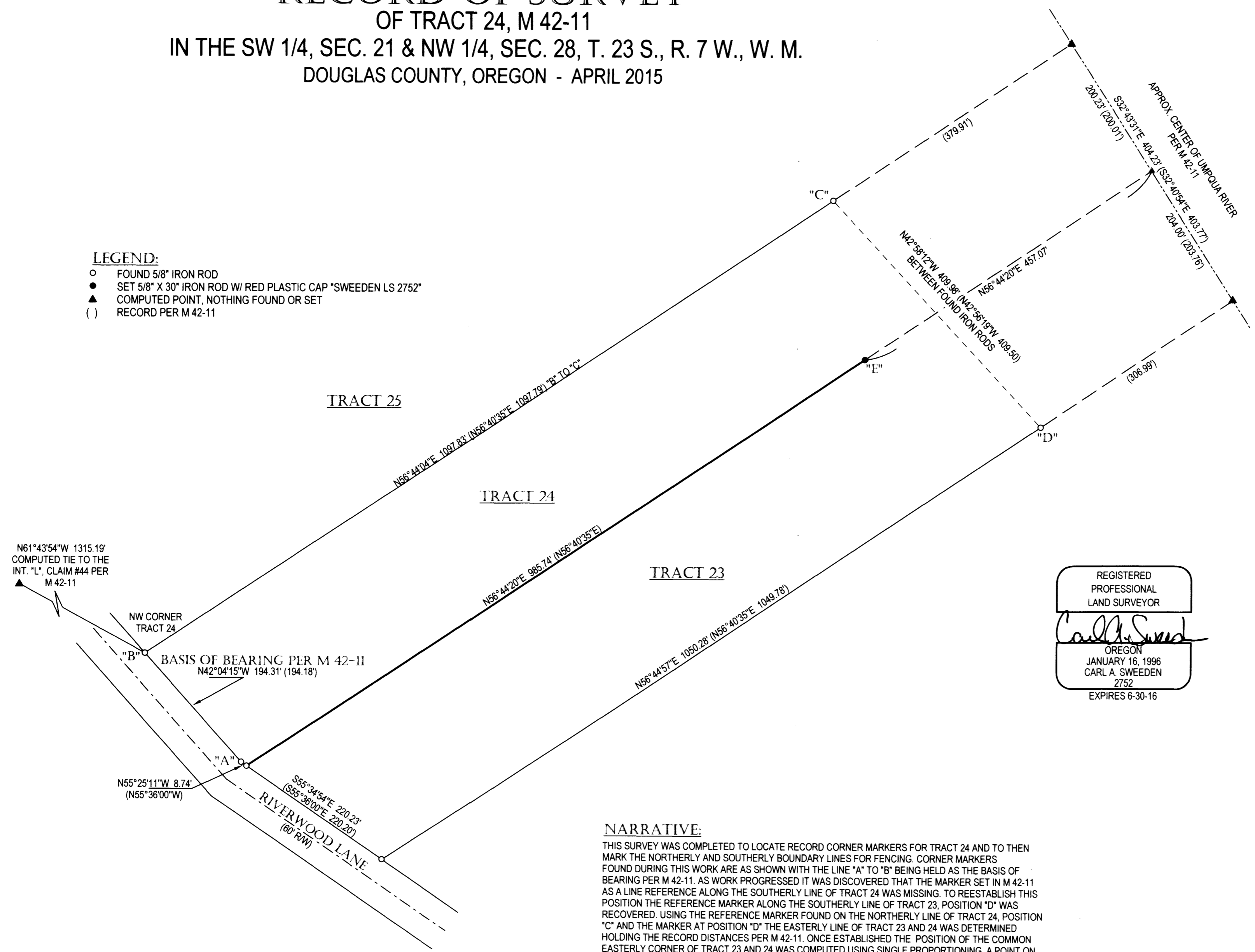
FILED
Date: 4/27/2015 By: JC
This survey consists of:
Map: M169-22
Narrative:
Corner Rpt:

DOUGLAS COUNTY
SURVEYOR

RECORD OF SURVEY

OF TRACT 24, M 42-11
IN THE SW 1/4, SEC. 21 & NW 1/4, SEC. 28, T. 23 S., R. 7 W., W. M.
DOUGLAS COUNTY, OREGON - APRIL 2015

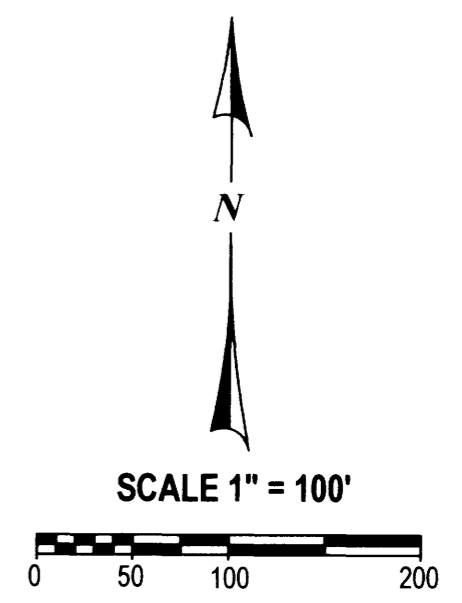
- LEGEND:**
- FOUND 5/8" IRON ROD
 - SET 5/8" X 30" IRON ROD W/ RED PLASTIC CAP *SWEEDEN LS 2752*
 - ▲ COMPUTED POINT, NOTHING FOUND OR SET
 - () RECORD PER M 42-11



REGISTERED
PROFESSIONAL
LAND SURVEYOR

Carl A. Sweeden

OREGON
JANUARY 16, 1996
CARL A. SWEEDEN
2752
EXPIRES 6-30-16




NARRATIVE:

THIS SURVEY WAS COMPLETED TO LOCATE RECORD CORNER MARKERS FOR TRACT 24 AND TO THEN MARK THE NORTHERLY AND SOUTHERLY BOUNDARY LINES FOR FENCING. CORNER MARKERS FOUND DURING THIS WORK ARE AS SHOWN WITH THE LINE "A" TO "B" BEING HELD AS THE BASIS OF BEARING PER M 42-11. AS WORK PROGRESSED IT WAS DISCOVERED THAT THE MARKER SET IN M 42-11 AS A LINE REFERENCE ALONG THE SOUTHERLY LINE OF TRACT 24 WAS MISSING. TO REESTABLISH THIS POSITION THE REFERENCE MARKER ALONG THE SOUTHERLY LINE OF TRACT 23, POSITION "D" WAS RECOVERED. USING THE REFERENCE MARKER FOUND ON THE NORTHERLY LINE OF TRACT 24, POSITION "C" AND THE MARKER AT POSITION "D" THE EASTERLY LINE OF TRACT 23 AND 24 WAS DETERMINED HOLDING THE RECORD DISTANCES PER M 42-11. ONCE ESTABLISHED THE POSITION OF THE COMMON EASTERLY CORNER OF TRACT 23 AND 24 WAS COMPUTED USING SINGLE PROPORTIONING. A POINT ON THIS COMMON LINE BETWEEN TRACTS 23 AND 24, POSITION "E" WAS THEN ESTABLISHED AND A MARKER SET AT A MORE SECURE LOCATION AWAY FROM ERROSION WHICH HAS OCCURED ALONG THE EASTERLY PORTION OF THIS COMMON LINE.

FIELD CREW: C. SWEEDEN & E. WILDS
EQUIPMENT: NIKON NIVO 3M W/ SUPPORT
MAPPING AND CALC'S: C. SWEEDEN

SURVEY FOR:
LOUIS & KATHERINE SALTZER
594 RIVERWOOD LANE
OAKLAND, OREGON 97462

Sweeden Land Surveying
Carl A. Sweeden
P.L.S.
Conventional & Global Positioning
Surveying Systems
558 S. E. Jackson St., Roseburg, OR. 97470
Tel. 541-672-8344, Fax 541-672-1787



MAP FILE M169-22