

RIGHT-OF-WAY WIDENING OF POMONA STREET

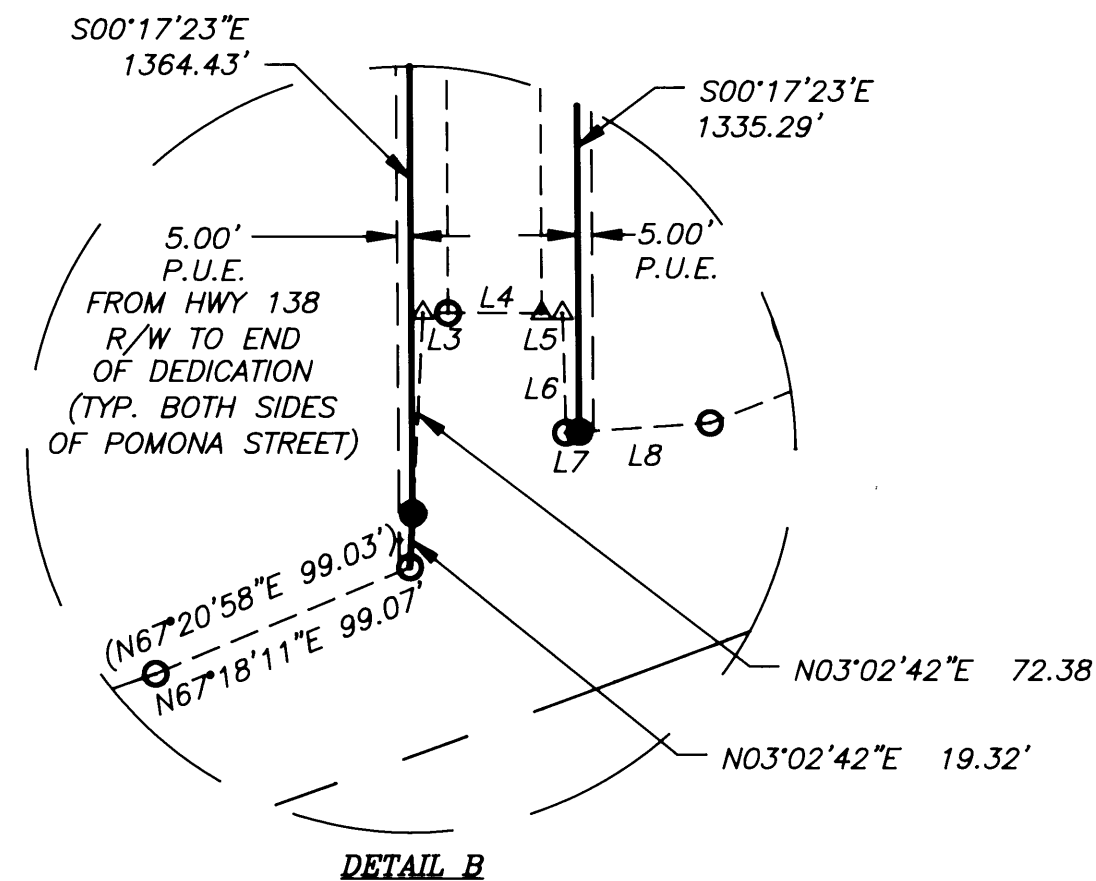
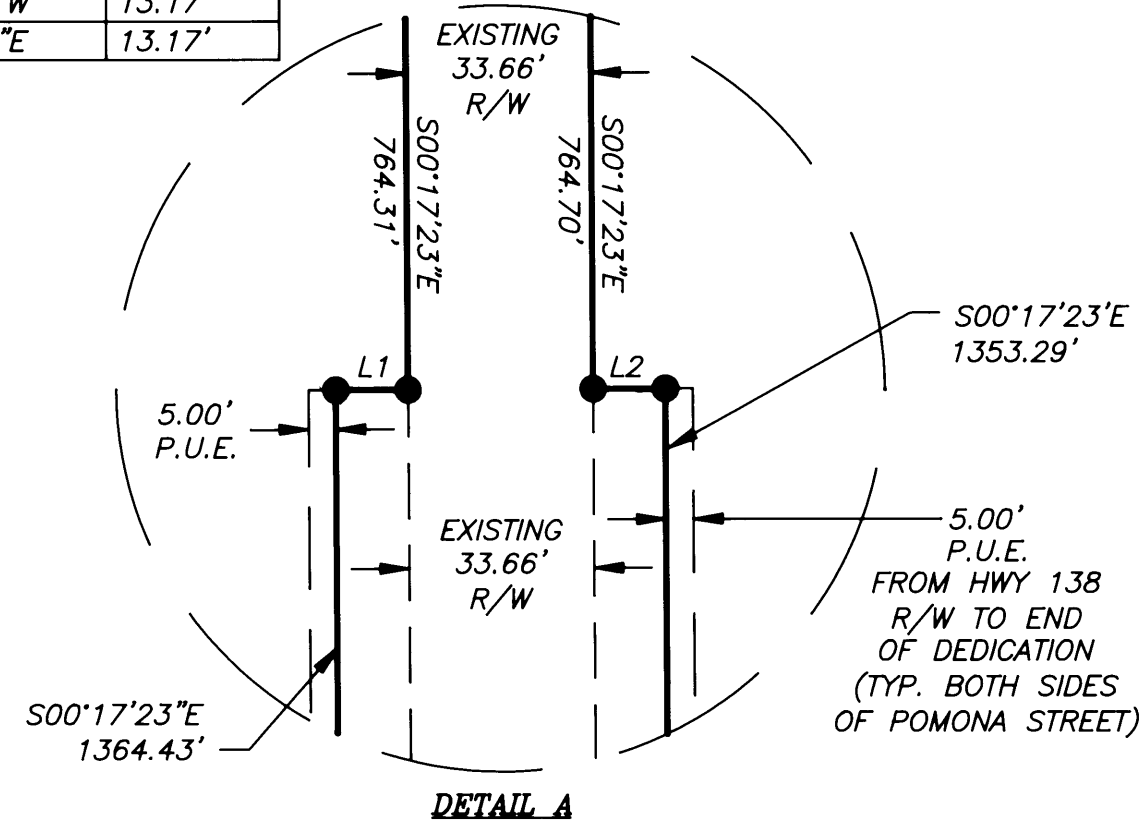
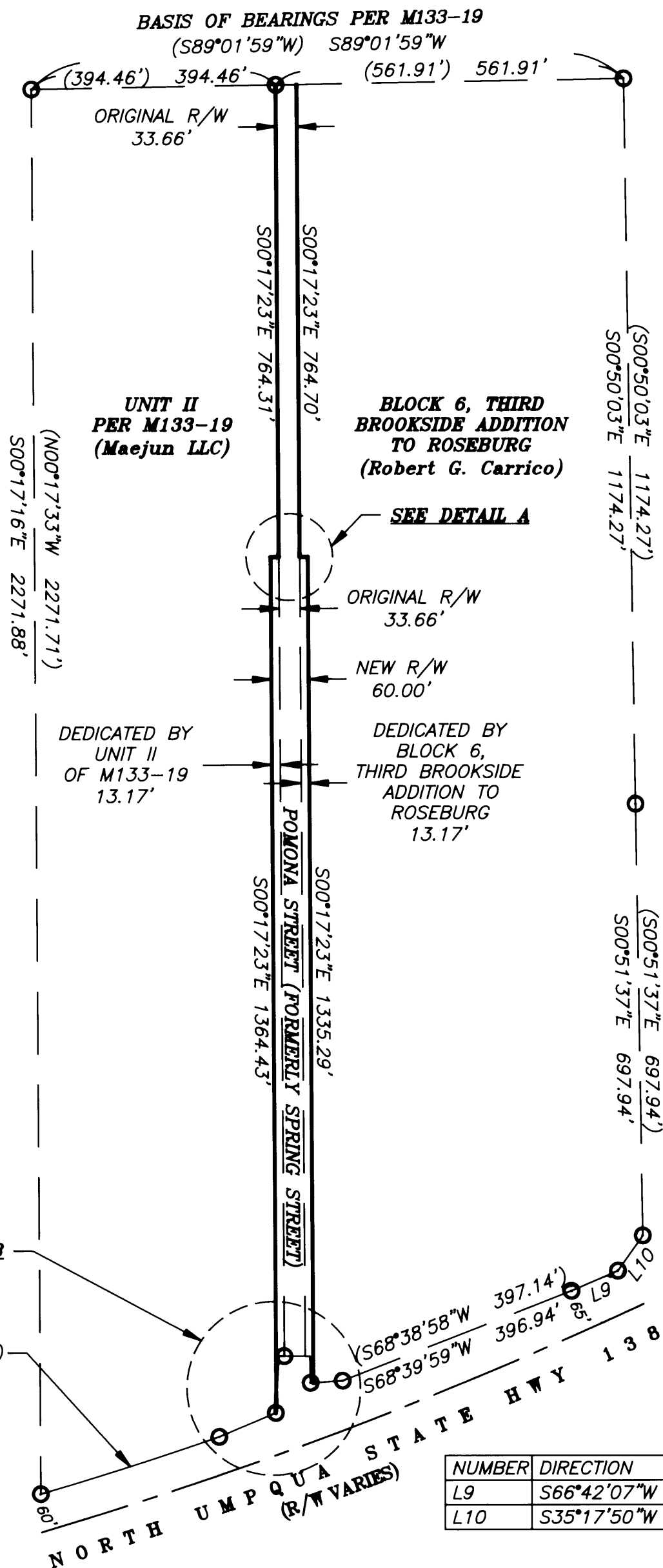
BOOK 1899 PAGE 050

FOR MAEJUN LLC & ROBERT G. CARRICO
 PART OF BLOCK 5 AND BLOCK 6 OF THE THIRD BROOKSIDE ADDITION TO ROSEBURG
 SW1/4 OF SECTION 16, T.27S. R.05W., W.M.
 DOUGLAS COUNTY, OREGON
 JUNE 2002

BOOK 1899 PAGE 052

NUMBER	DIRECTION	DISTANCE
L1	S89°42'37"W	13.17'
L2	N89°42'37"E	13.17'

BOOK 1899 PAGE 051



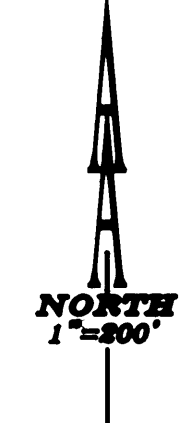
NUMBER	DIRECTION	DISTANCE	(DIRECTION)	(DISTANCE)
L3	S89°45'05"E	8.96'	(N89°45'05"W)	(8.97')
L4	S89°45'05"E	33.66'	(S89°45'05"W)	(41.03')
L5	S89°45'05"E	7.38'		
L6	S01°36'35"E	43.01'	(N01°36'22"W)	(43.35')
L7	N86°09'32"E	9.82'		
L8	N86°09'32"E	47.10'		

NUMBER	DIRECTION	DISTANCE	(DIRECTION)	(DISTANCE)
L9	S66°42'07"W	81.51'	(S66°42'07"W)	(81.33')
L10	S35°17'50"W	69.84'	(S35°17'50"W)	(69.84')

- LEGEND:**
- Found 5/8" Iron Rod or as noted.
 - △ Calculated Point
 - Set 5/8" x 30" Iron Rod with Yellow Plastic Cap marked "AA SURVEYING INC."

RECORD INFORMATION:
 () M133-19

FILED
 Date: 8/26/2002 By: JP
 This survey consists of: 2 Pgs.
 Map: SC09 2002-070
 Narrative: _____
 Corner Rpt: _____
DOUGLAS COUNTY SURVEYOR



P.U.E. — PUBLIC UTILITY EASEMENT FOR USE BY PACIFICORP AND OTHER PUBLIC UTILITIES.

PacifiCorp shall have the right to install, maintain, and operate utilities and all other related facilities within the Public Utility Easements identified on this plat map as may be necessary or desirable in serving the lots identified herein, including the right of access to such facilities and the right to require the removal of any obstructions including trees and vegetation that may be placed within the P.U.E. at the lot owner's expense. At no time may any permanent structures be placed within the P.U.E. or any other obstruction which interferes with the use of the P.U.E. without the prior written approval of PacifiCorp.

△ = 03°03'29" (03°03'18")
 R = 5669.58' (5669.58')
 L = 302.60' (302.31')
 CH = S72°15'19"W (S72°16'15"W)
 LC = 302.56' (302.27')

REGISTERED PROFESSIONAL LAND SURVEYOR

 OREGON
 JULY 14, 1978
RONALD A. QUIMBY
 1654
 EXP. DATE: 12-31-02

SHEET 1 OF 2

AA
SURVEYING & ENGINEERING, INC.
 ENGINEERING SURVEYING PLANNING

3076 NE DIAMOND LAKE BLVD.
 ROSEBURG, OREGON 97470
 TEL (541)672-2096
 FAX (541)672-0611