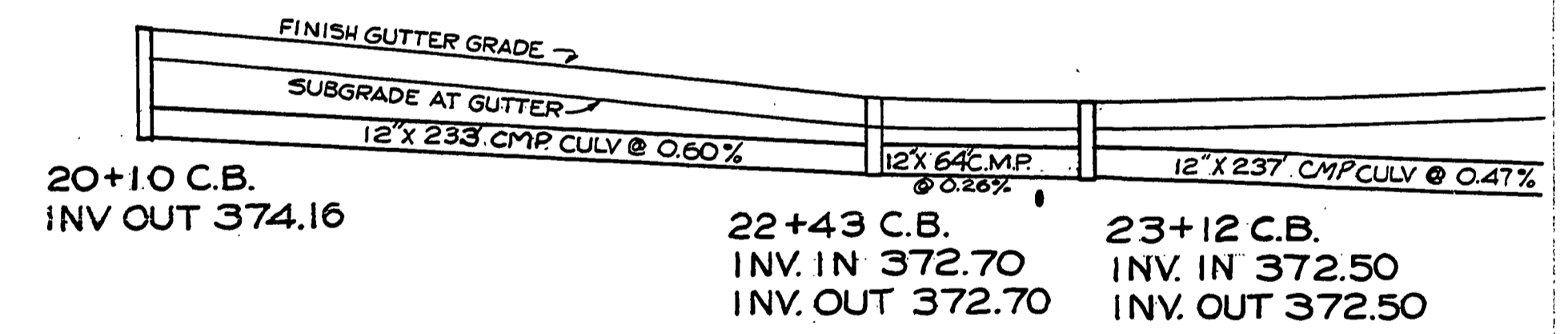
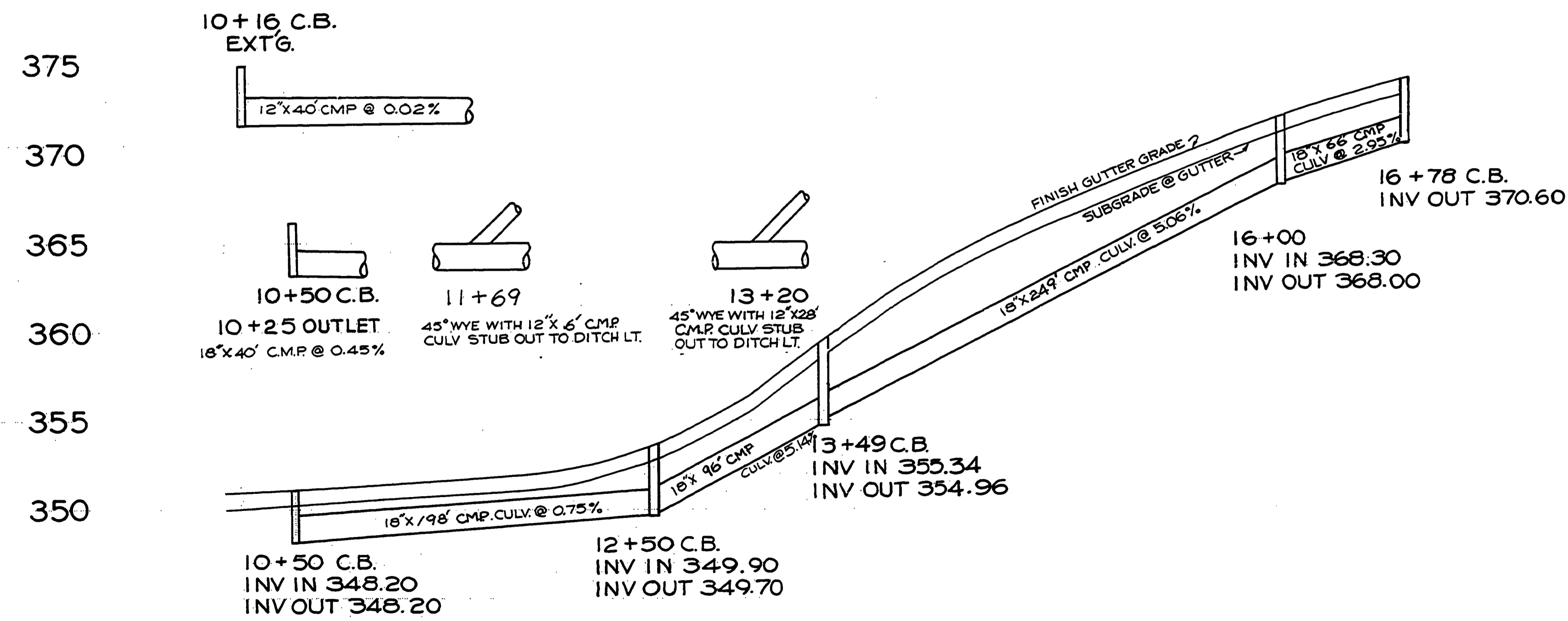
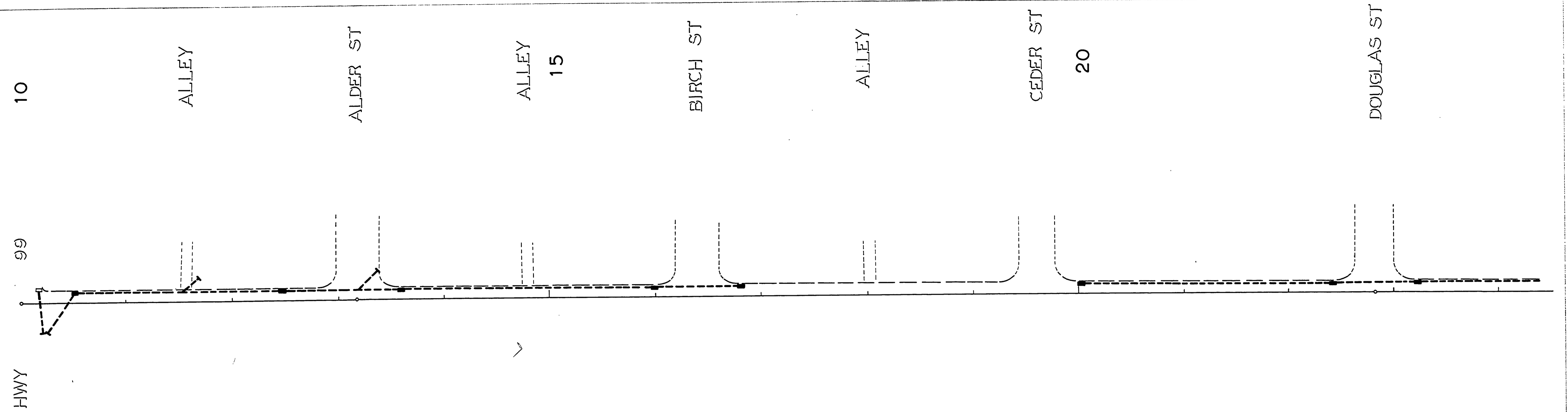


| | | |
|------|----|-------------------|
| DATE | BY | REVISION |
| | | 1. PLAN |
| | | 2. PROFILE |
| | | 3. SANITARY SEWER |
| | | 4. FINISH GRADE |
| | | 5. SUBGRADE |
| | | 6. GUTTER |
| | | 7. CULVERT |
| | | 8. WYE |
| | | 9. OUTLET |
| | | 10. STUB |
| | | 11. DITCH |
| | | 12. LATERAL |
| | | 13. VERIFICATION |
| | | 14. TOP |
| | | 15. LATERAL |
| | | 16. VERIFY |
| | | 17. TOP |
| | | 18. LATERAL |
| | | 19. VERIFY |
| | | 20. TOP |
| | | 21. LATERAL |
| | | 22. VERIFY |
| | | 23. TOP |
| | | 24. LATERAL |
| | | 25. VERIFY |
| | | 26. TOP |
| | | 27. LATERAL |
| | | 28. VERIFY |
| | | 29. TOP |
| | | 30. LATERAL |
| | | 31. VERIFY |
| | | 32. TOP |
| | | 33. LATERAL |
| | | 34. VERIFY |
| | | 35. TOP |
| | | 36. LATERAL |
| | | 37. VERIFY |
| | | 38. TOP |
| | | 39. LATERAL |
| | | 40. VERIFY |
| | | 41. TOP |
| | | 42. LATERAL |
| | | 43. VERIFY |
| | | 44. TOP |
| | | 45. LATERAL |
| | | 46. VERIFY |
| | | 47. TOP |
| | | 48. LATERAL |
| | | 49. VERIFY |
| | | 50. TOP |
| | | 51. LATERAL |
| | | 52. VERIFY |
| | | 53. TOP |
| | | 54. LATERAL |
| | | 55. VERIFY |
| | | 56. TOP |
| | | 57. LATERAL |
| | | 58. VERIFY |
| | | 59. TOP |
| | | 60. LATERAL |
| | | 61. VERIFY |
| | | 62. TOP |
| | | 63. LATERAL |
| | | 64. VERIFY |
| | | 65. TOP |
| | | 66. LATERAL |
| | | 67. VERIFY |
| | | 68. TOP |
| | | 69. LATERAL |
| | | 70. VERIFY |
| | | 71. TOP |
| | | 72. LATERAL |
| | | 73. VERIFY |
| | | 74. TOP |
| | | 75. LATERAL |
| | | 76. VERIFY |
| | | 77. TOP |
| | | 78. LATERAL |
| | | 79. VERIFY |
| | | 80. TOP |
| | | 81. LATERAL |
| | | 82. VERIFY |
| | | 83. TOP |
| | | 84. LATERAL |
| | | 85. VERIFY |
| | | 86. TOP |
| | | 87. LATERAL |
| | | 88. VERIFY |
| | | 89. TOP |
| | | 90. LATERAL |
| | | 91. VERIFY |
| | | 92. TOP |
| | | 93. LATERAL |
| | | 94. VERIFY |
| | | 95. TOP |
| | | 96. LATERAL |
| | | 97. VERIFY |
| | | 98. TOP |
| | | 99. LATERAL |
| | | 100. VERIFY |

| | | |
|------|----|-------------------|
| DATE | BY | REVISION |
| | | 1. PLAN |
| | | 2. PROFILE |
| | | 3. SANITARY SEWER |
| | | 4. FINISH GRADE |
| | | 5. SUBGRADE |
| | | 6. GUTTER |
| | | 7. CULVERT |
| | | 8. WYE |
| | | 9. OUTLET |
| | | 10. STUB |
| | | 11. DITCH |
| | | 12. LATERAL |
| | | 13. VERIFICATION |
| | | 14. TOP |
| | | 15. LATERAL |
| | | 16. VERIFY |
| | | 17. TOP |
| | | 18. LATERAL |
| | | 19. VERIFY |
| | | 20. TOP |
| | | 21. LATERAL |
| | | 22. VERIFY |
| | | 23. TOP |
| | | 24. LATERAL |
| | | 25. VERIFY |
| | | 26. TOP |
| | | 27. LATERAL |
| | | 28. VERIFY |
| | | 29. TOP |
| | | 30. LATERAL |
| | | 31. VERIFY |
| | | 32. TOP |
| | | 33. LATERAL |
| | | 34. VERIFY |
| | | 35. TOP |
| | | 36. LATERAL |
| | | 37. VERIFY |
| | | 38. TOP |
| | | 39. LATERAL |
| | | 40. VERIFY |
| | | 41. TOP |
| | | 42. LATERAL |
| | | 43. VERIFY |
| | | 44. TOP |
| | | 45. LATERAL |
| | | 46. VERIFY |
| | | 47. TOP |
| | | 48. LATERAL |
| | | 49. VERIFY |
| | | 50. TOP |
| | | 51. LATERAL |
| | | 52. VERIFY |
| | | 53. TOP |
| | | 54. LATERAL |
| | | 55. VERIFY |
| | | 56. TOP |
| | | 57. LATERAL |
| | | 58. VERIFY |
| | | 59. TOP |
| | | 60. LATERAL |
| | | 61. VERIFY |
| | | 62. TOP |
| | | 63. LATERAL |
| | | 64. VERIFY |
| | | 65. TOP |
| | | 66. LATERAL |
| | | 67. VERIFY |
| | | 68. TOP |
| | | 69. LATERAL |
| | | 70. VERIFY |
| | | 71. TOP |
| | | 72. LATERAL |
| | | 73. VERIFY |
| | | 74. TOP |
| | | 75. LATERAL |
| | | 76. VERIFY |
| | | 77. TOP |
| | | 78. LATERAL |
| | | 79. VERIFY |
| | | 80. TOP |
| | | 81. LATERAL |
| | | 82. VERIFY |
| | | 83. TOP |
| | | 84. LATERAL |
| | | 85. VERIFY |
| | | 86. TOP |
| | | 87. LATERAL |
| | | 88. VERIFY |
| | | 89. TOP |
| | | 90. LATERAL |
| | | 91. VERIFY |
| | | 92. TOP |
| | | 93. LATERAL |
| | | 94. VERIFY |
| | | 95. TOP |
| | | 96. LATERAL |
| | | 97. VERIFY |
| | | 98. TOP |
| | | 99. LATERAL |
| | | 100. VERIFY |



SANITARY SEWER
F.L. ELEV. 371.6
VERIFY TOP LATERAL LT

AS CONSTRUCTED *E.B.A.*
DOUGLAS COUNTY ROAD DEPT
FIRST ST - YONCALLA
MAY 1971 SHT 6
GEORGE E. GRUBB COUNTY ENGR.