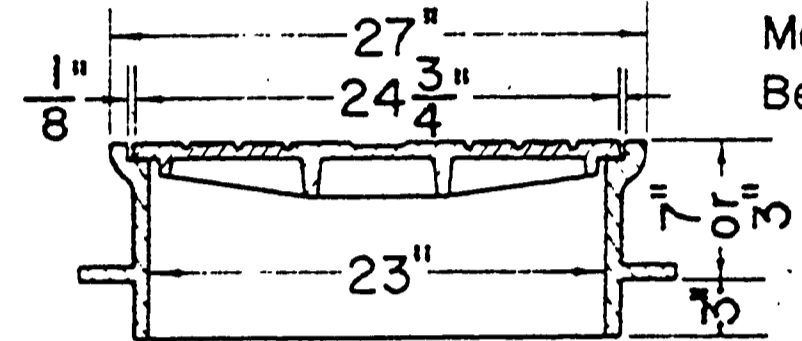


Minimum Weight  
Cover 120 lbs.  
Frame 155 lbs.

PLAN

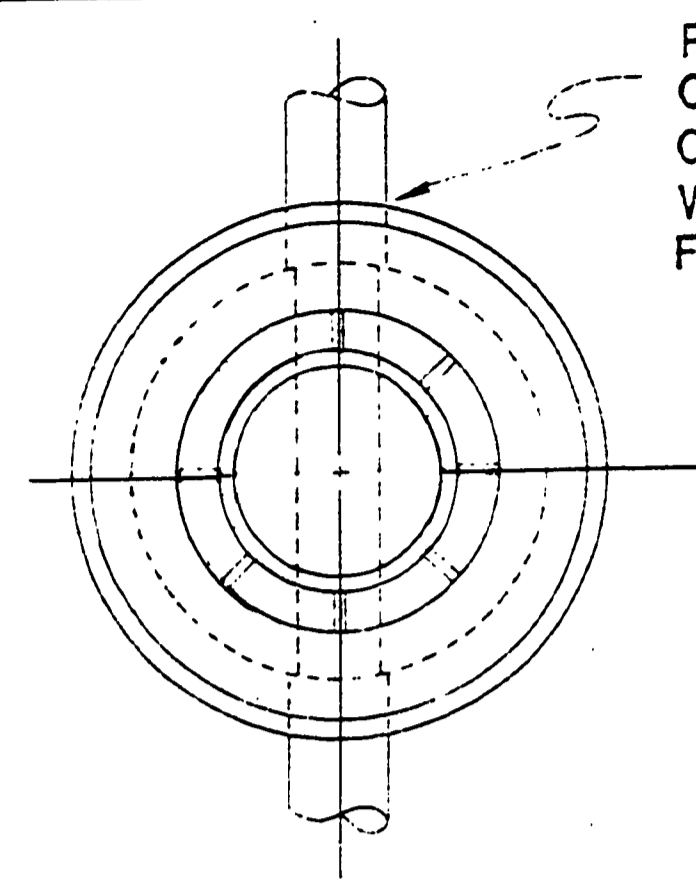


SECTION A-A

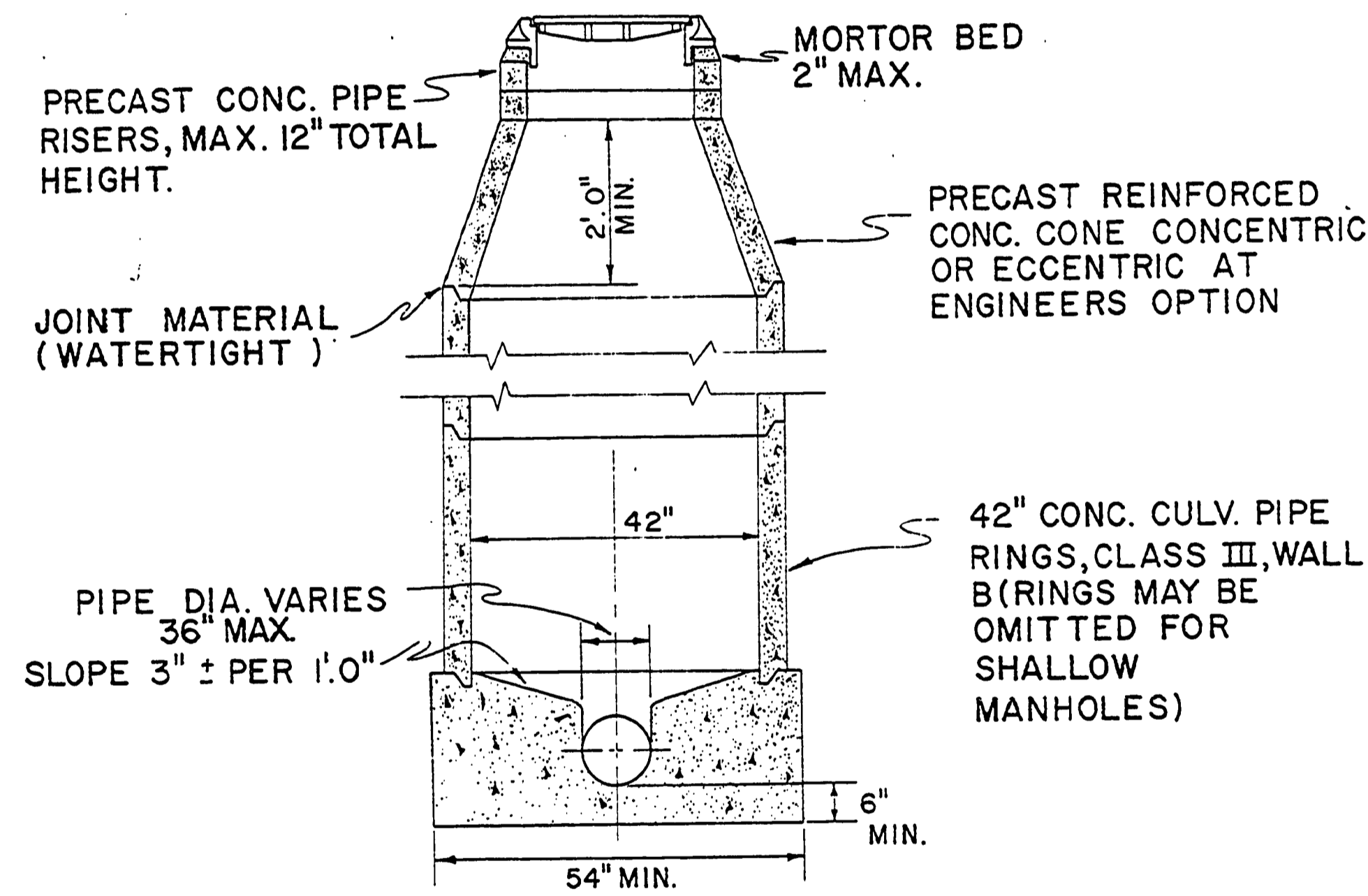
**MANHOLE RING & COVER**

Cover & Frame to be  
Machined to a True  
Bearing all Around.

Covers shall have  
the word sewer in  
2" raised letters



PROVIDE STD. RUBBER RING  
OR PLASTIC JOINT ON ALL  
CONC, CLAY OR A.C. PIPE  
WITHIN 1'6" OF OUTSIDE  
FACE OF MANHOLE WALL



**MANHOLE TYPE A**

PRECAST CONC. PIPE  
RISERS, MAX. 12" TOTAL  
HEIGHT.

MORTAR BED  
2" MAX.

PRECAST REINFORCED  
CONC. CONE CONCENTRIC  
OR ECCENTRIC AT  
ENGINEERS OPTION

JOINT MATERIAL  
(WATERTIGHT)

PIPE DIA. VARIES  
36" MAX.  
SLOPE 3" ± PER 1'0"

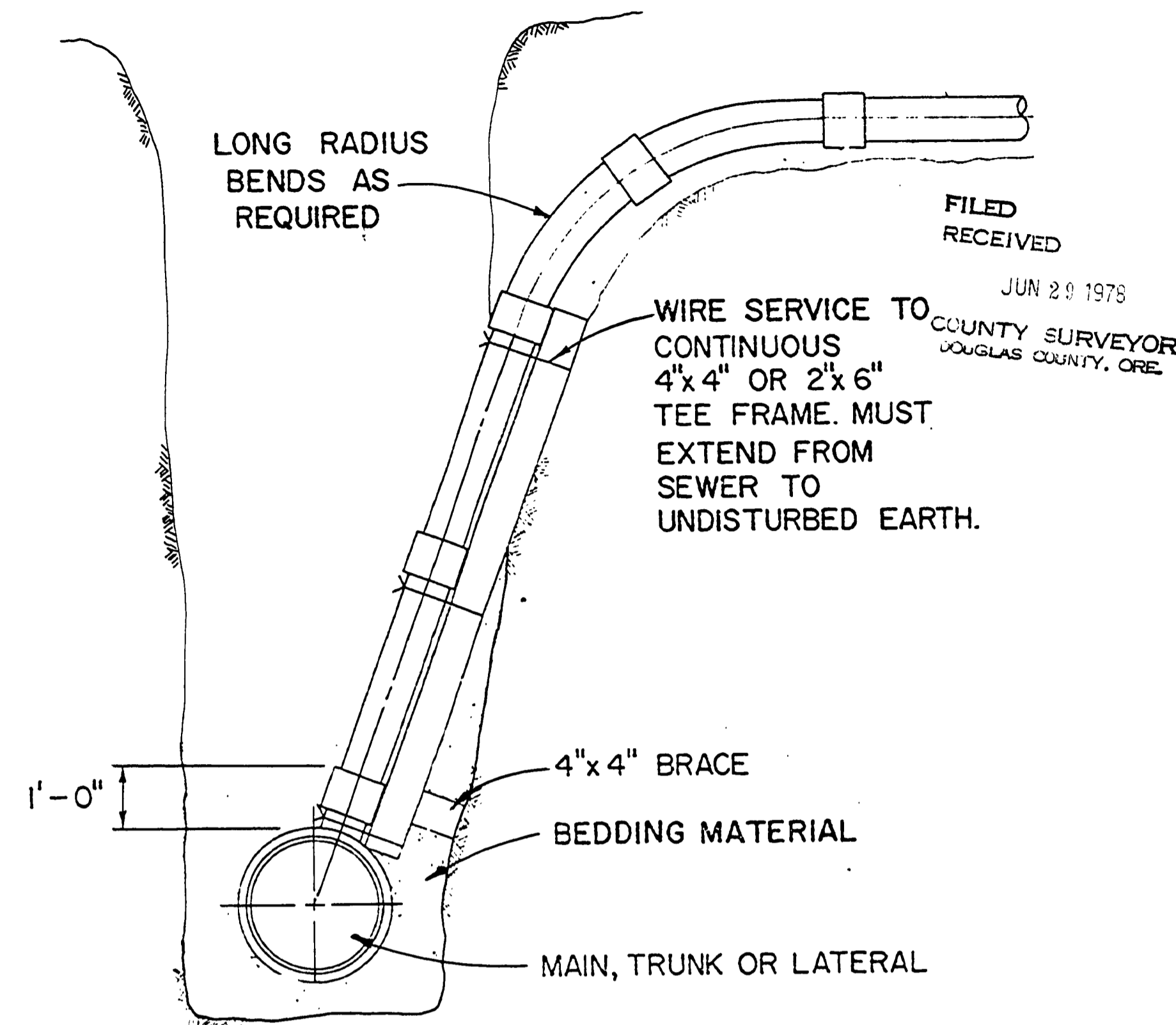
42" CONC. CULV. PIPE  
RINGS, CLASS III, WALL  
B (RINGS MAY BE  
OMITTED FOR  
SHALLOW  
MANHOLES)

4" MIN. JOINT TO  
PIPE

GROUT IN EVEN  
SLOPE FROM FLOW  
LINE TO FLOW LINE

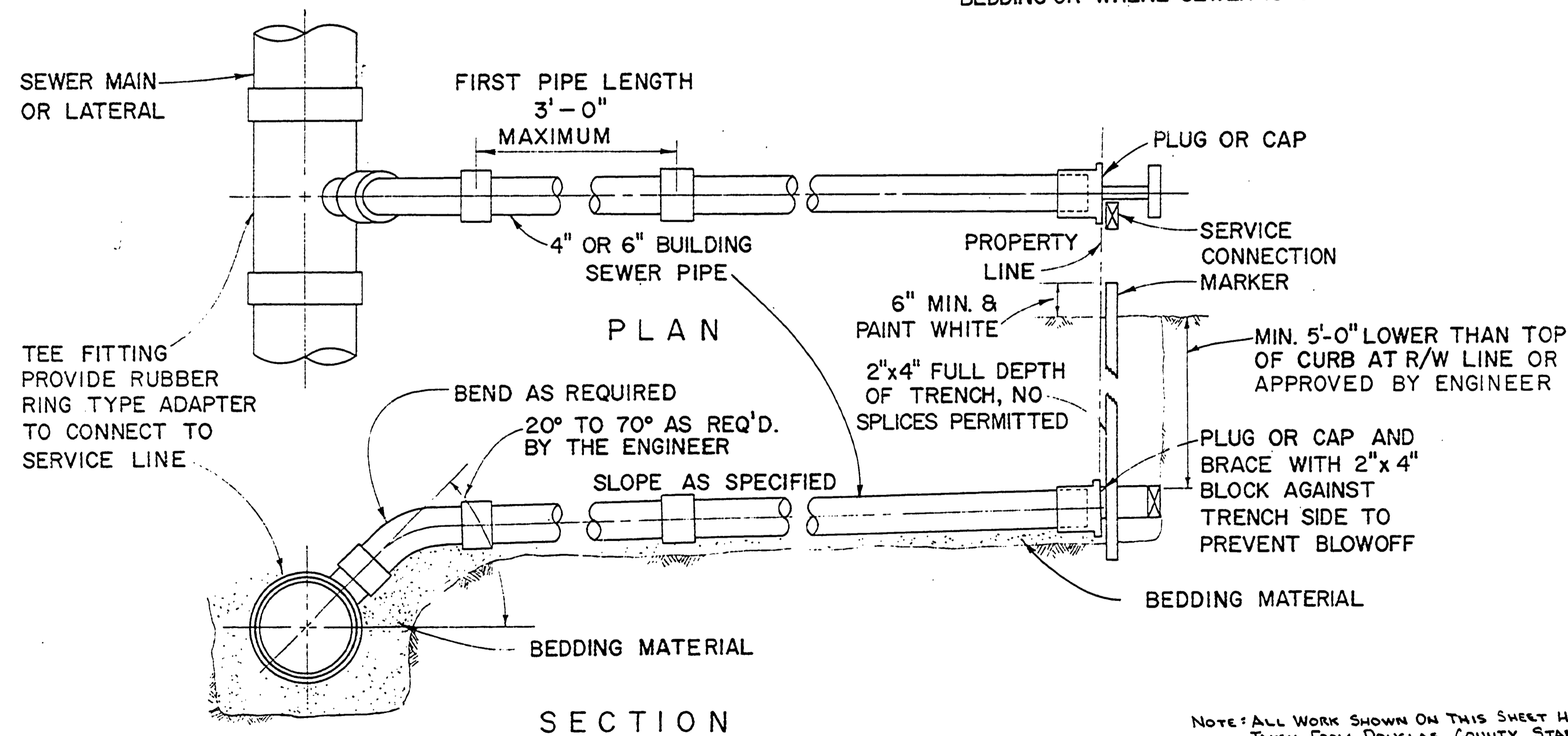
SLOPE 4" ± PER 1'0"

**TYPICAL MANHOLE HAVING FALL  
LESS THAN 2'0"**



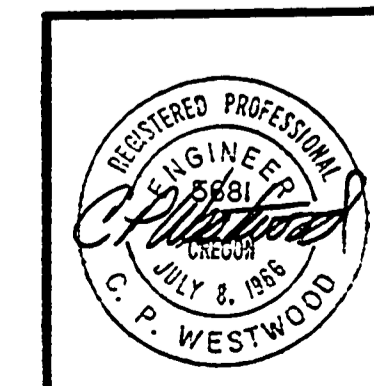
**DEEP TRENCH SERVICE CONNECTION**

NOTE: WOOD SUPPORT TO BE USED IN ALL CASES WHERE SERVICE  
CONNECTION CAN NOT BE SUPPORTED FOR FULL LENGTH ON  
BEDDING OR WHERE SEWER IS OVER 12' DEEP TO FLOW LINE.



**STANDARD SERVICE CONNECTION**

NOTE: ALL WORK SHOWN ON THIS SHEET HAS BEEN  
TAKEN FROM DOUGLAS COUNTY STANDARDS.



DOUGLAS COUNTY PUBLIC WORKS DEPARTMENT GEORGE E. GRUBB, DIRECTOR	
SUNBERRY DRIVE SANITARY SEWER IMPROVEMENTS	
<b>C &amp; G ENGINEERING</b>	SHEET <b>6</b>
P. O. BOX 222 ROSEBURG, OREGON	OF 10
J.O. 36250	DATE 6-7-76