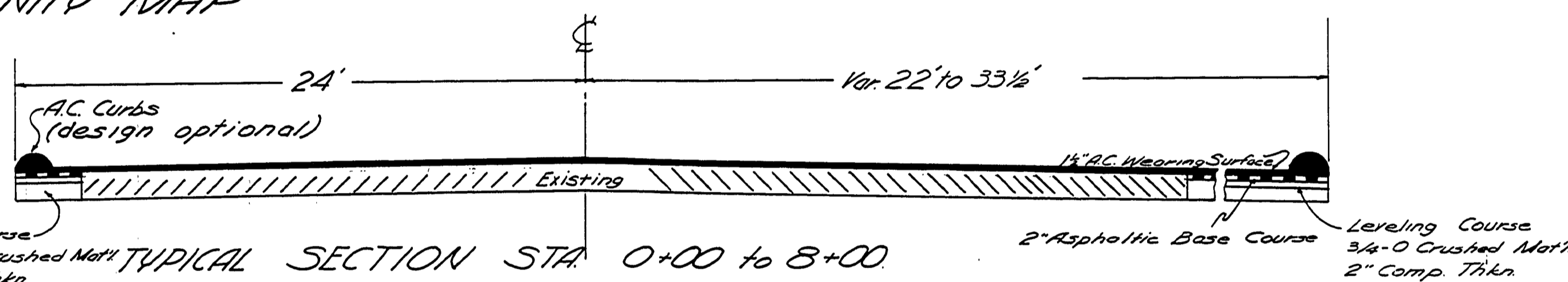
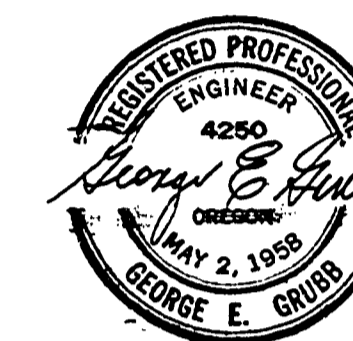


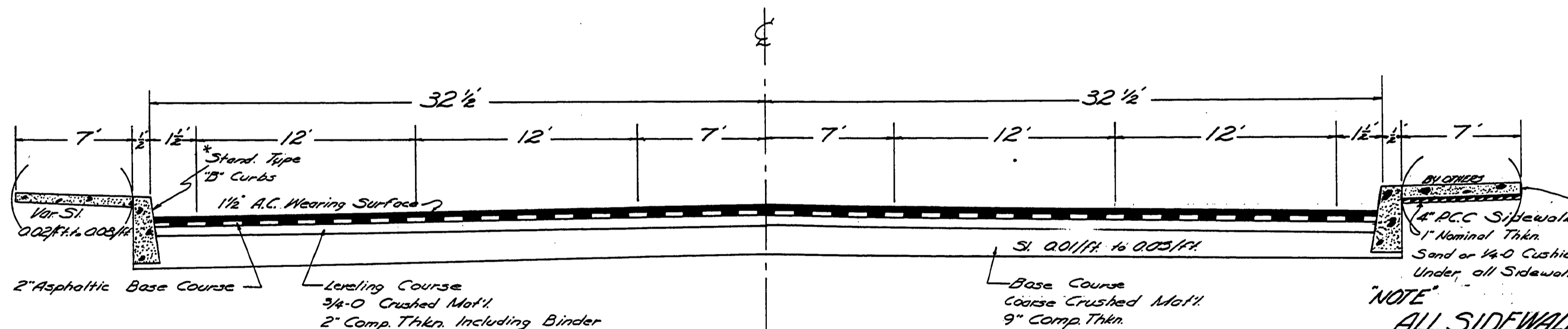
VICINITY MAP

DOUGLAS COUNTY, OREGON PLANS FOR PROPOSED PROJECT GRADING & SURFACING HARVARD AVENUE

JUNE 1967



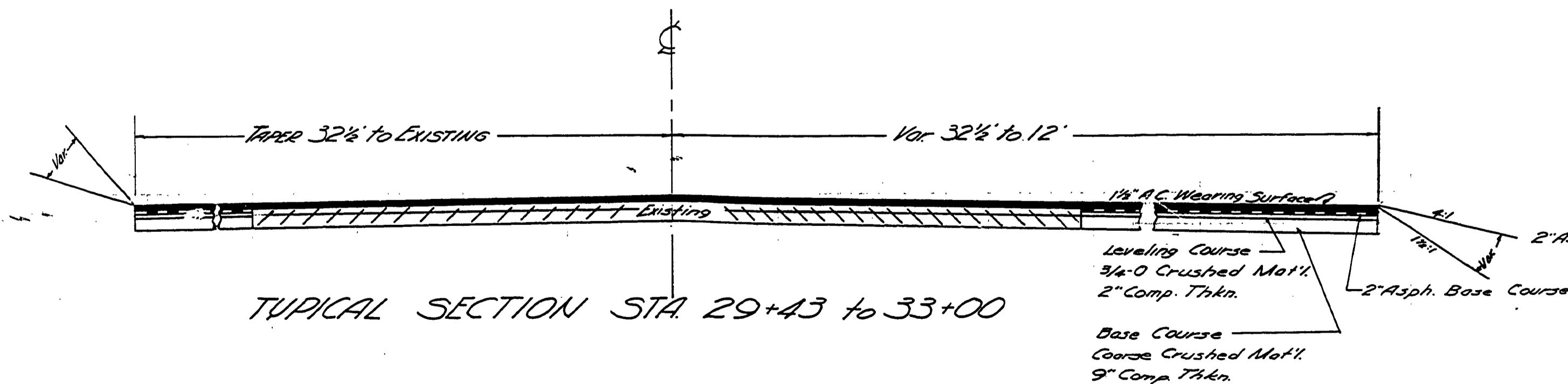
TYPICAL SECTION STA. 0+00 to 8+00



TYPICAL SECTION STA. 8+00 to 29+43

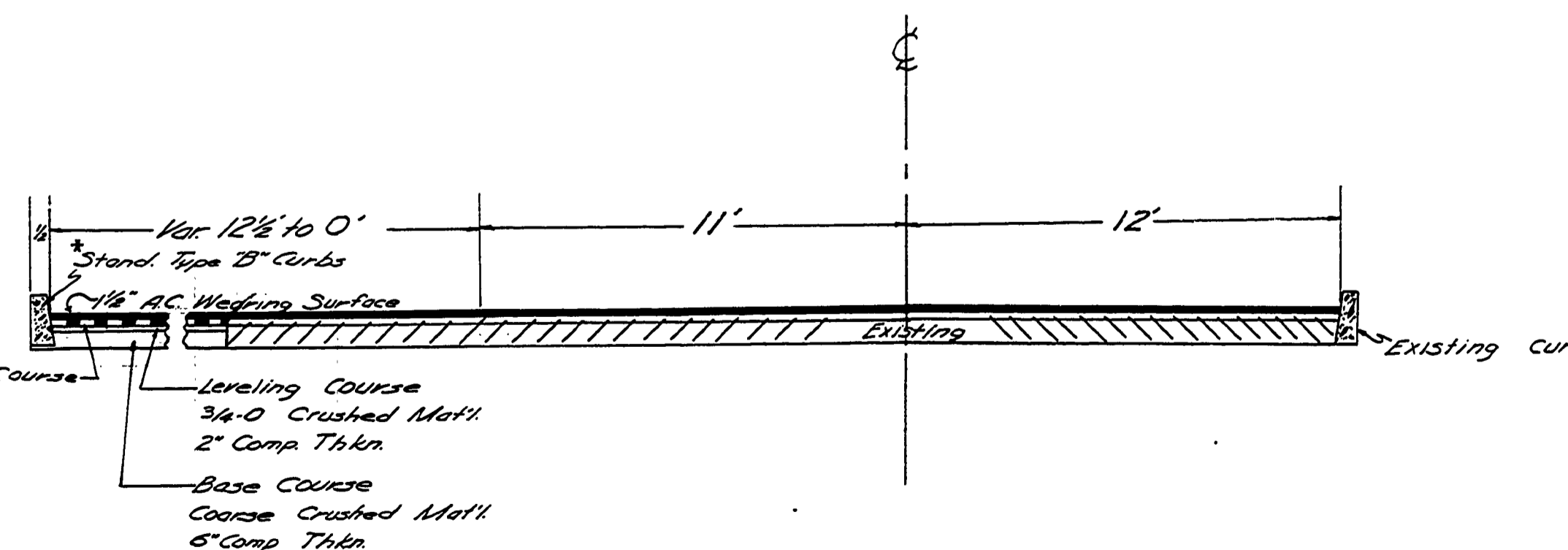
NOTE
ALL SIDEWALKS
& DRIVEWAYS
BY OTHERS

QUANTITY SUMMARY				
ITEM	UNIT	QUANTITY	ALLOWANCE	TOTAL
1. CLEARING & GRUBBING	LUMPSUM	ALL	-	ALL
2. REMOVE CATCH BASINS	EACH	19	2	21
3. GENERAL EXCAVATION	CU.YD.	11,385	1,115	12,500
4. FINISHING ROADBED & SLOPES	LUMPSUM	ALL	-	ALL
5. TRENCH EXCAVATION	CU.YD.	1,590	160	1,750
6. 12" CONCRETE CULVERT	LIN.FT.	1,767	183	1,950
7. CATCH BASINS	EACH	31	3	34
8. ADJUST MANHOLES	EACH	25	3	28
9. CONSTRICT CONCRETE MANHOLES	EACH	1	-	1
10. TYPE "B" CONCRETE CURBS	LIN.FT.	4,360	440	4,800
11. COARSE CRUSHED MAT'L IN BASE	CU.YD.	6,180	620	6,800
12. 3/4" MAT'L IN BASE	CU.YD.	1,285	135	1,420
13. WATERING	M-GAL.	400	40	440
14. 3/4" AGGREGATE IN BINDER	CU.YD.	160	20	180
15. R.C. 800 IN BINDER	TON	27	3	30
16. R.S.-1 IN TACK COAT	TON	3	1	4
17. CLASS "B" ASPHALTIC CONC.	TON	3,430	340	3,770
18. CLASS "C" ASPH. CONC CURBS	LIN.FT.	1,600	160	1,760
19. 1 1/2" ELECTRIC CONDUIT	LIN.FT.	180	20	200



TYPICAL SECTION STA. 29+43 to 33+00

NOTE
Utilities not shown as they
are being adjusted now.



VETS ADMIN. CONNECTION

NOTE
All curbs to be Standard
Type "B" Curbs, as per Douglas
County Stan. Drawing " 7"
Type "B" Curb same as State
Map, Type "C", Stan. Drawing " 2077"

FILED
RECEIVED
MAY 22 1968
COUNTY SURVEYOR
DOUGLAS COUNTY, ORE.