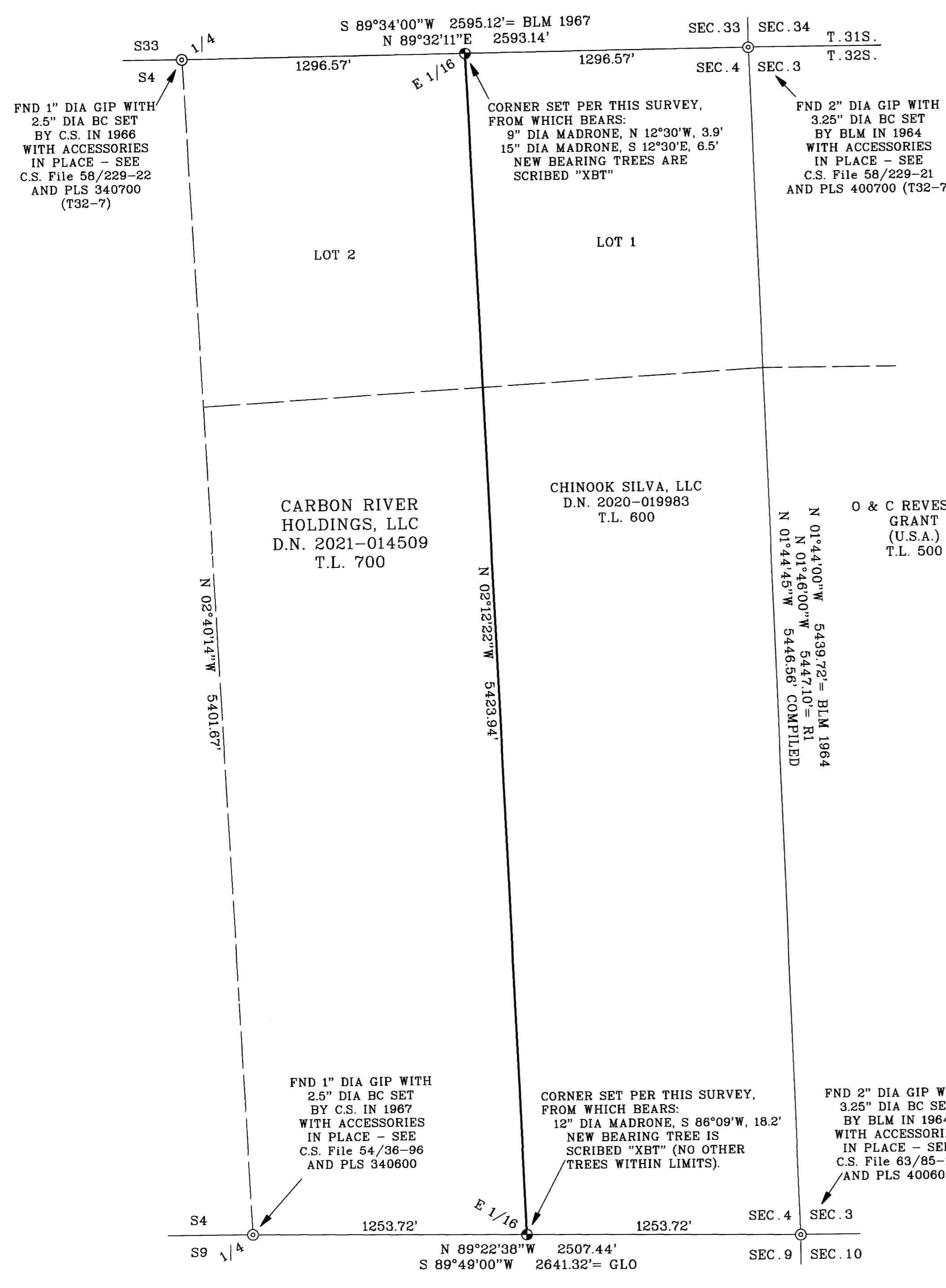


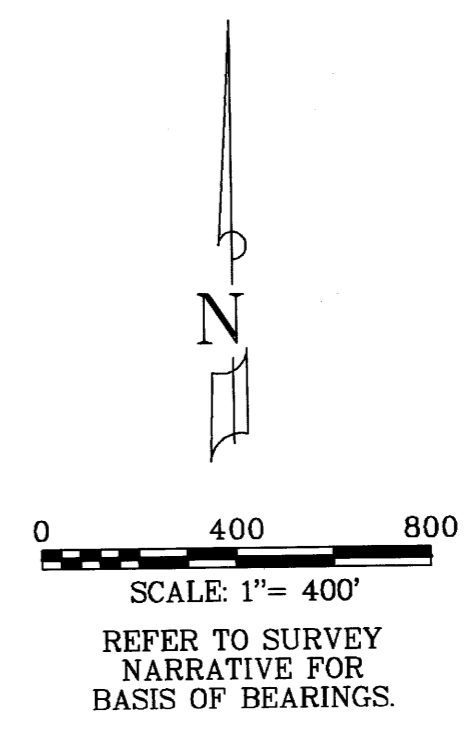
MAP FILE M181-49

FILED  
Date: 12-7-2022 By: 98  
This survey consists of:  
Map: M181-49  
Narrative:  
Corner Rpt:  
DOUGLAS COUNTY SURVEYOR



REFERENCES:

- R1 = M81-7
R2 = C.S. File 54/36-96
R3 = C.S. File 58/229-21
R4 = C.S. File 58/229-22
R5 = C.S. File 63/85-12
R6 = NOTES FOR 1964 BLM SURVEY BY DONALD R. BECK
R7 = NOTES FOR 1967 BLM SURVEY BY DONALD R. BECK
R8 = GLO NOTES AND PLAT 1881 & 1882



SURVEY NARRATIVE:

THE PURPOSE OF THIS SURVEY IS TO POST AND BLAZE THE LINE SHOWN IN BOLD HEREON. LINE TREES AND TREES ON BOTH SIDES OF THE BOLD LINES WERE BLAZED THIS SURVEY. USING FOUND MONUMENTS AS SHOWN, I RETRACED THE EAST ONE-HALF OF THE NORTH LINE AND THE EAST ONE-HALF OF THE SOUTH LINE OF SECTION 4, AND TIED THE FOUR CORNERS OF THE EAST ONE-HALF OF SECTION 4. THIS ALLOWED THE CALCULATION OF THE WEST LINE OF THE EAST ONE-HALF OF THE EAST-ONE HALF OF SECTION 4, THE LINE COMMON TO THE PARCELS OF LAND AS DESCRIBED PER D.N. 2020-019983 AND D.N. 2021-014509.

THIS SURVEY WAS CONDUCTED USING A TOPCON GPT 3003W TOTAL STATION AND TOPCON HIPER AND GR3 GPS RECEIVERS. THE FIELD SURVEY COMMENCED OCTOBER 29, 2022 AND WAS COMPLETED NOVEMBER 4, 2022.

THE BASIS OF BEARINGS FOR THIS SURVEY IS GEODETIC, BASED ON STATIC GPS OBSERVATIONS ALONG THE WEST LINE OF THE EAST 1/2 OF THE EAST 1/2 OF SECTION 4.

MANY OF THE BEARING TREES AT CONTROLLING CORNERS ARE NOW STUMPS AND WERE NOT TIED THIS SURVEY.

LEGEND OF SYMBOLS & ABBREVIATIONS:

- ⊙ FND MONUMENT AS DESCRIBED.
⊕ SET 5/8" DIA REBAR, 30" LONG, 24" IN THE GROUND, WITH 2.5" AC STAMPED "PLS 77662".

- AC ALUMINUM CAP
BC BRASS CAP
GIP GALVANIZED IRON PIPE
D.N. DOCUMENT NUMBER
DIA DIAMETER
FND FOUND
BLM BUREAU OF LAND MANAGEMENT
GLO GENERAL LAND OFFICE
C.S. COUNTY SURVEYOR
PLS POINT IDENTIFIER
T.L. TAX LOT

NOTE: DIAMETERS OF GIP'S ARE INSIDE PIPE DIAMETERS.

REGISTERED PROFESSIONAL LAND SURVEYOR
Gregg Arnold Neitsch
OREGON JULY 11, 2006
GREGG ARNOLD NEITSCH 77662LS
EXPIRES: 12/31/2022

MAP OF SURVEY
FOR
CARBON RIVER HOLDINGS, LLC
LOCATED IN THE EAST 1/2 OF SECTION 4, T. 32 S., R. 7 W., W.M., IN DOUGLAS COUNTY, OREGON

NORTH STATE LAND SURVEYING
4631 NORTH OLD STAGE ROAD
MOUNT SHASTA, CA 96067
NOVEMBER 2022 SCALE: 1"=400' SHEET 1 OF 1
GH4GEOD.ASC GOLD HILL RS.GXD JOB NO. 807 DB: AM

MAP FILE M181-49