

# AMENDED RECORD OF SURVEY

LOCATED IN THE NE 1/4 OF SECTION 21  
AND  
THE NW 1/4 OF SECTION 22  
TOWNSHIP 32 SOUTH, RANGE 2 WEST, W.M.  
DOUGLAS COUNTY, OREGON

FILED  
Date: 12-15-2020 By: M  
This survey consists of:  
Map: M178-17  
Narrative:  
Corner Rpt:  
DOUGLAS COUNTY  
SURVEYOR

## NARRATIVE

THE PURPOSE OF THIS SURVEY IS TO AMEND THE SURVEY FILED AS COUNTY SURVEY NO. M171-24. THIS SURVEY SHOWS ADDITIONAL INFORMATION FOR THE FOUND AND RECORD DATA BETWEEN EXISTING MONUMENTS. THIS SURVEY IS LOCATED IN TOWNSHIP 32 SOUTH, RANGE 2 WEST, OF THE WILLAMETTE MERIDIAN.

THE TEMPORARY CONSTRUCTION EASEMENT WAS SURVEYED AND MONUMENTED BY THE DYER PARTNERSHIP. UNDER THE DIRECT SUPERVISION OF MICHAEL W. ERICKSON.

THE CORNER NOTES ARE PER MAP OF SURVEY NO. M171-24.

THE FIELD WORK PERFORMED IN THIS SURVEY WAS TO REMOVE 36 MONUMENTS AND SET 8 MONUMENTS ON THE MODIFIED TEMPORARY CONSTRUCTION EASEMENT LINE. THE NEW TEMPORARY WORK AREAS HAVE BEEN FLAGGED FROM EXISTING PROJECT CONTROL POINTS.

ALL OTHER ITEMS PER MAP OF SURVEY NO. M166-35 HAVE REMAINED UNCHANGED.

THE TEMPORARY CONSTRUCTION EASEMENT WAS SURVEYED AND MONUMENTED BY THE DYER PARTNERSHIP. UNDER THE DIRECT SUPERVISION OF MICHAEL W. ERICKSON.

## REFERENCE SURVEYS:

- 1) ORIGINAL GLO PLAT, TOWNSHIP 32 SOUTH, RANGE 2 WEST - DEC. 11, 1903
- 2) COUNTY SURVEY NO. M166-25 - DEC. 4, 2014
- 3) COUNTY SURVEY NO. M166-35 - JULY 13, 2015
- 4) COUNTY SURVEY NO. M171-24 - MAY 2, 2017

## NOTE:

DISTANCES ARE IN US SURVEY FEET.

MEAN MERIDIAN CONVERGENCE ANGLE = -1'40.41"

## SCALE FACTOR NOTE

THE DISTANCES SHOWN ON THIS SURVEY ARE GRID DISTANCES UNLESS NOTED.  
THE COMBINED SCALE FACTOR = 0.999745737  
TO CONVERT FROM GRID TO GROUND MULTIPLY THE DISTANCE BY 1.000254328.

EXAMPLE: 300.00' GRID DISTANCE  
300.00' x 1.000254328 = 300.08' GROUND DISTANCE.

## BASIS OF BEARINGS

THIS PROJECT DATUM IS BASED ON PREVIOUSLY ESTABLISHED PROJECT CONTROL.

THE DATUM IS VERY CLOSE BUT NOT EXACTLY OREGON SOUTH ZONE 3602

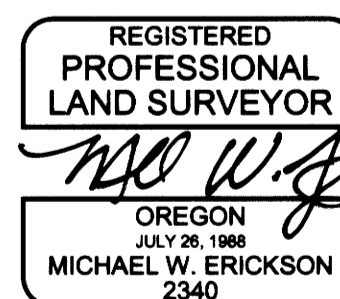
THE PROJECT BEARINGS MATCH THE OREGON SOUTH ZONE 3602 BEARINGS IN US SURVEY FEET.

## SURVEYOR'S CERTIFICATE

I, MICHAEL W. ERICKSON BEING DULY SWORN AS A PROFESSIONAL LAND SURVEYOR IN THE STATE OF OREGON DO HEREBY CERTIFY THAT THIS MAP CORRECTLY REPRESENTS A SURVEY CONDUCTED UNDER MY DIRECT SUPERVISION IN CONFORMANCE WITH THE REQUIREMENTS OF THE SURVEY RECORDING LAW, AS ESTABLISHED BY ORS CHAPTER 209, AND HAVE SET THE PROPER MONUMENTS AS REFERENCED IN THE LEGEND BY MY REGISTRATION NUMBER AND SEAL.

FURTHERMORE, I APPROVE THE LOCATION OF THE MONUMENTS AS DEPICTED ON THIS SURVEY DRAWING TO BE IN THEIR PROPER LOCATION.

*Michael W. Erickson*  
MICHAEL W. ERICKSON PLS. 2340



WILLAMETTE MERIDIAN  
DOUGLAS COUNTY, OREGON  
T.32S., R.2W


SURVEY PERFORMED FOR: PEMBINA  
DATE: SEPTEMBER 28, 2020  
DRAFT: RAA  
FILE: RS-32S-RO2W\_MP 109.DWG

## LEGEND

- ⊗ SET 5/8" X 30" REBAR WITH 1 1/4" YELLOW PLASTIC CAP (DYER PARTNER LS 2340)
- ⊙ REMOVED 5/8" X 24" REBAR WITH 1 1/4" YELLOW PLASTIC CAP (DYER PARTNER LS 2340)
- FND 5/8" X 24" REBAR WITH 1 1/4" YELLOW PLASTIC CAP (KLEIN & ASSOC. LS 59002)
- ⊠ FND 5/8" X 24" REBAR WITH 1 1/4" YELLOW PLASTIC CAP (DYER PARTNER LS 2340)
- ⊙ FOUND MONUMENT AS NOTED (SEE CORNER NOTES)
- COMPUTED POINT, NOT MONUMENTED
- △ CORNER NOT SEARCHED
- ⊠ FOUND QUARTER CORNER SEE CORNER NOTES
- ⊠ FOUND SECTION CORNER SEE CORNER NOTES
- ⊠ COMPUTED QUARTER CORNER
- ⊠ COMPUTED SECTION CORNER
- ① POINT NUMBER
- {XXX.XX'} GROUND DISTANCE
- (XXX.XX') RECORD DISTANCE PER REFERENCED SURVEY
- R1 REFERENCED SURVEY
- PROPOSED ALIGNMENT
- - - TEMPORARY CONSTRUCTION EASEMENT
- - - TEMPORARY WORK AREA
- ..... LINE PER MAP OF SURVEY NO. M171-24

## CORNER NOTES:

CORNERS VISITED DURING M171-24

(142739)

1/4 CORNER SECTIONS 21/22  
FOUND 3" BRASS CAP  
STAMPED OLS 536, 1968  
AND CS 1988

BT REFERENCES:

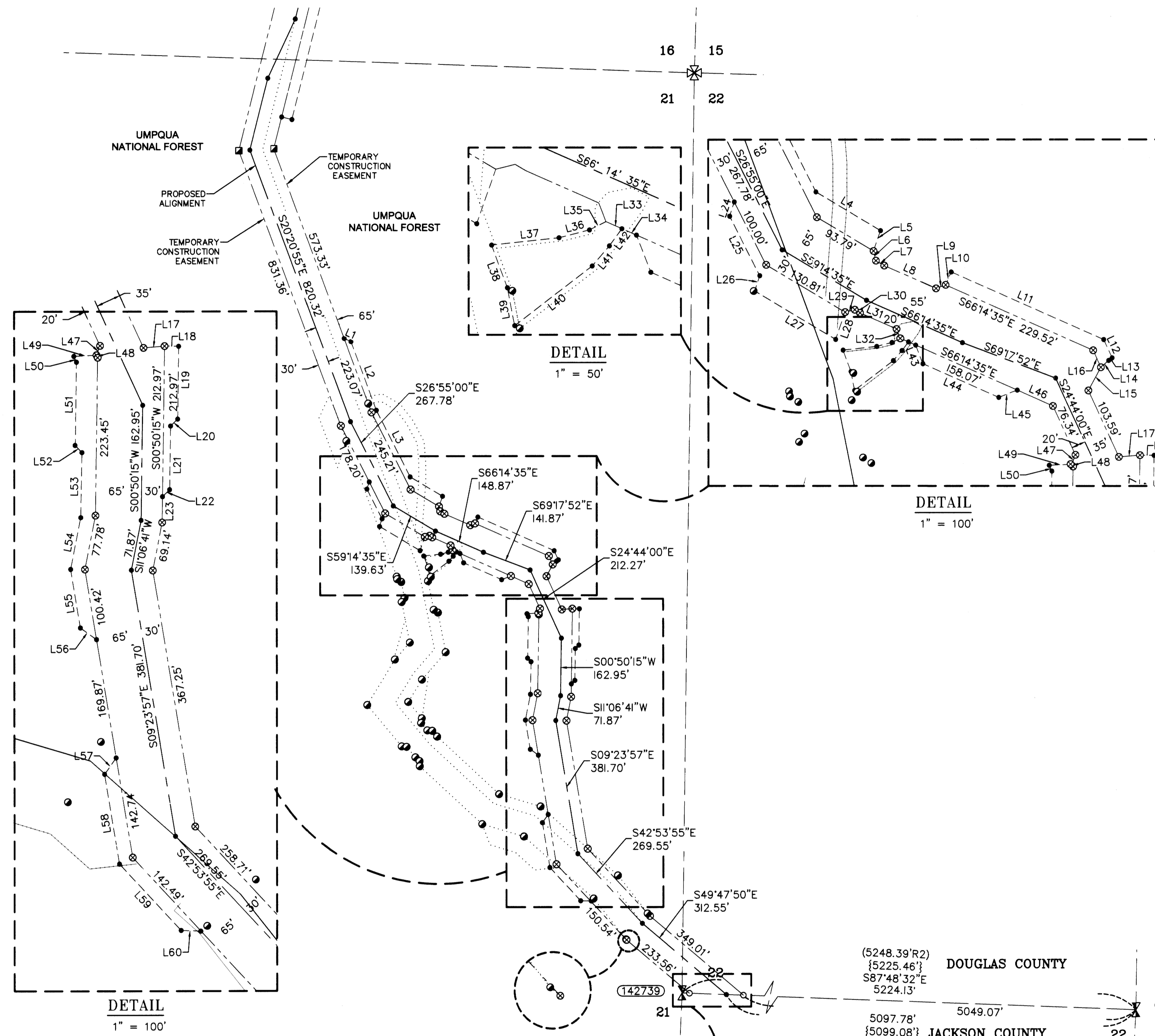
- 1) 15" CEDAR WITH HEALED FACE AND TAG DATED 10/13  
S 23° E - 9.0' TO NAIL SIDE CENTER
- 2) 29" FIR WITH HEALED FACE TAG DATED 10/13  
N 76° W - 46.4' TO NAIL SIDE CENTER

(142745)

1/4 CORNER SECTIONS 22/23  
FOUND 2-1/2" BRASS CAP  
STAMPED CS 1986

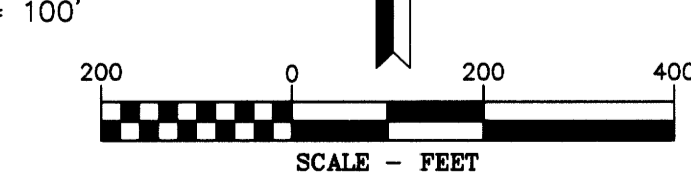
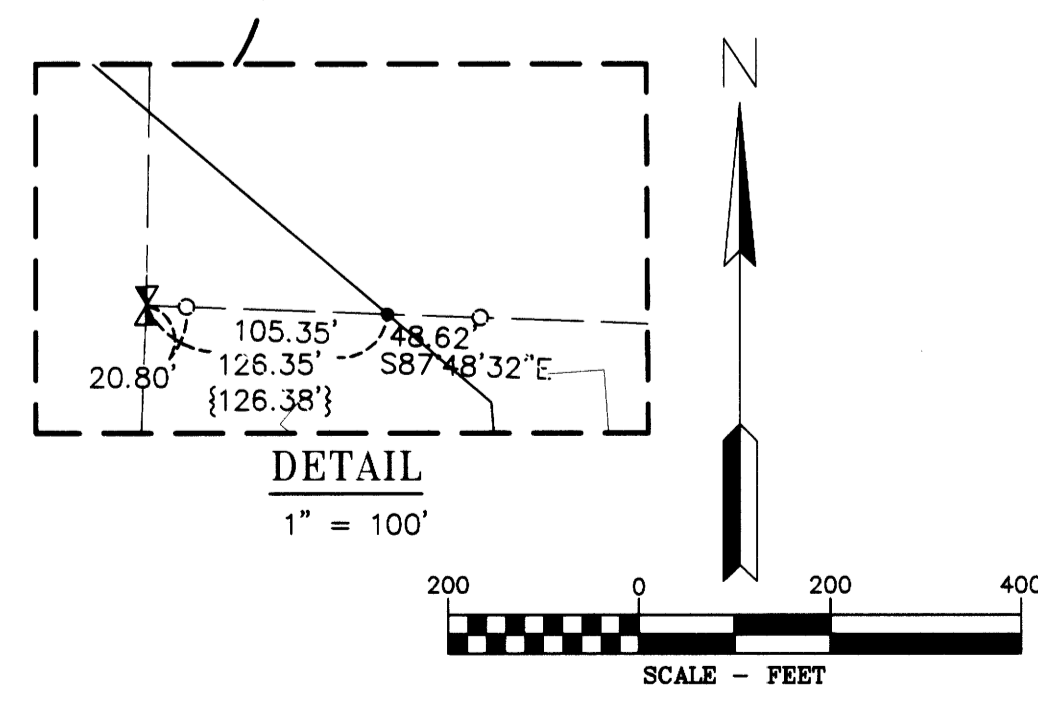
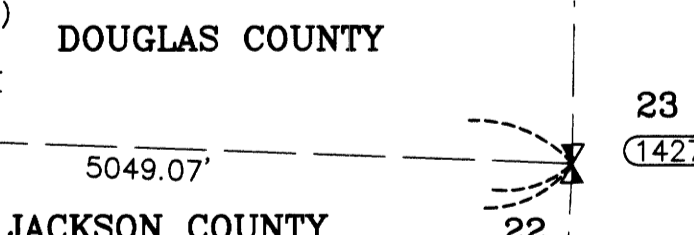
BT REFERENCES:

- 1) 12.5" FIR WITH HEALED FACE AND TAG DATED 8/86  
N 76° E - 28.4' TO NAIL SIDE CENTER
- 2) 28" FIR 50" TALL SNAG WITH HEALED FACE  
S 45° E - 7.5' NO TAG FOUND OR SET
- 3) 19.5" FIR 30" TALL SNAG WITH VISIBLE SCRIBE AND TAG DATED 8/86  
S 10° W - 9.9'
- 4) 10" FIR (MARKED 1/4 S22 BT)  
SET TAG DATED 8/14  
S 55° W - 11.95' TO NAIL SIDE CENTER



## LINE TABLE

Line #	Direction	Length	Line #	Direction	Length
L1	S65°20'54"E	21.21'	L36	S75°34'27"W	22.35'
L2	S20°20'55"E	207.21'	L37	S83°50'56"W	48.23'
L3	S26°55'00"E	211.95'	L38	S20°20'45"E	32.23'
L4	S59°14'35"E	106.99'	L39	S10°51'07"E	27.25'
L5	S19°09'39"W	30.62'	L40	N52°38'34"E	69.46'
L6	S14°14'32"E	14.14'	L41	N40°41'01"E	18.76'
L7	S59°14'35"E	13.64'	L42	N36°13'28"E	15.12'
L8	S66°14'35"E	80.35'	L43	S21°14'34"E	28.28'
L9	N70°06'43"E	14.49'	L44	S66°14'35"E	118.07'
L10	N23°45'28"E	20.00'	L45	N68°45'26"E	28.28'
L11	S66°14'35"E	237.10'	L46	S66°07'09"E	55.57'
L12	S24°44'00"E	28.50'	L47	S20°15'58"W	14.14'
L13	S53°32'39"W	6.02'	L48	S24°44'02"E	3.78'
L14	S48°42'06"W	14.71'	L49	S87°24'30"W	32.39'
L15	S28°29'13"W	37.46'	L50	S24°53'05"E	9.13'
L16	S24°44'01"E	26.33'	L51	S10°51'05"W	117.77'
L17	N85°16'22"E	30.14'	L52	S42°29'16"E	13.80'
L18	N89°09'45"W	20.00'	L53	S10°34'48"W	92.02'
L19	S0°50'15"W	102.97'	L54	S11°06'41"W	74.59'
L20	S45°50'15"W	14.14'	L55	S9°23'57"E	84.04'
L21	S0°50'15"W	90.00'	L56	S54°23'57"E	28.28'
L22	S45°50'18"W	14.14'	L57	S35°27'25"W	28.36'
L23	S0°50'15"W	36.69'	L58	S9°23'56"E	128.66'
L24	S18°05'01"W	21.21'	L59	S42°53'55"E	128.66'
L25	S26°55'00"E	94.49'	L60	S88°07'09"E	28.18'
L26	S18°05'00"W	22.81'			
L27	S59°14'35"E	133.84'			
L28	N19°24'17"E	40.80'			
L29	N75°45'27"E	14.14'			
L30	S59°14'36"E	8.74'			
L31	S66°14'35"E	56.81'			
L32	S21°14'34"E	14.14'			
L33	S66°14'35"E	12.40'			
L34	S66°14'34"E	11.31'			
L35	S63°34'39"W	13.13'			



**D** THE DYER PARTNERSHIP  
ENGINEERS & PLANNERS, INC.  
1330 Teakwood Avenue / Coos Bay, Oregon 97420  
(541) 269-0732 / WWW.DYERPART.COM

PACIFIC CONNECTOR GAS PIPELINE PROJECT  
PACIFIC CONNECTOR GAS PIPELINE, LP  
RECORD OF SURVEY  
SECTIONS 21 AND 22  
TOWNSHIP 32 SOUTH, RANGE 2 WEST, W.M.  
DOUGLAS COUNTY OREGON

DRAWN BY: RAA	DATE: 10-10-2020	ISSUED FOR BID:	SCALE: 1" = 200'
CHECKED BY:	DATE:	ISSUED FOR CONSTRUCTION:	
APPROVED BY:	DATE:	DRAWING NUMBER:	SHEET 1 OF 1