

RECORD OF SURVEY

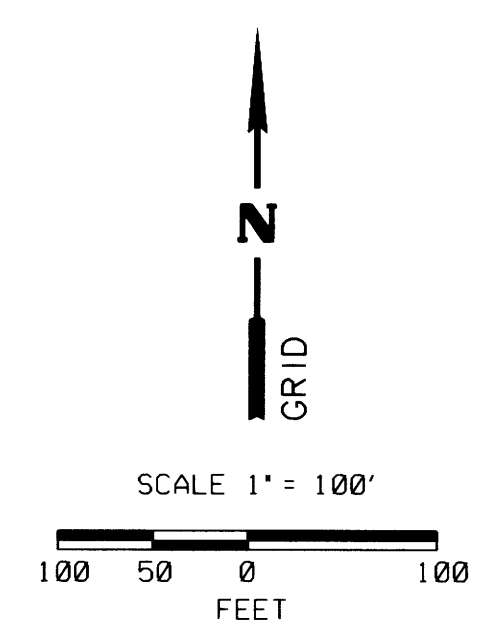
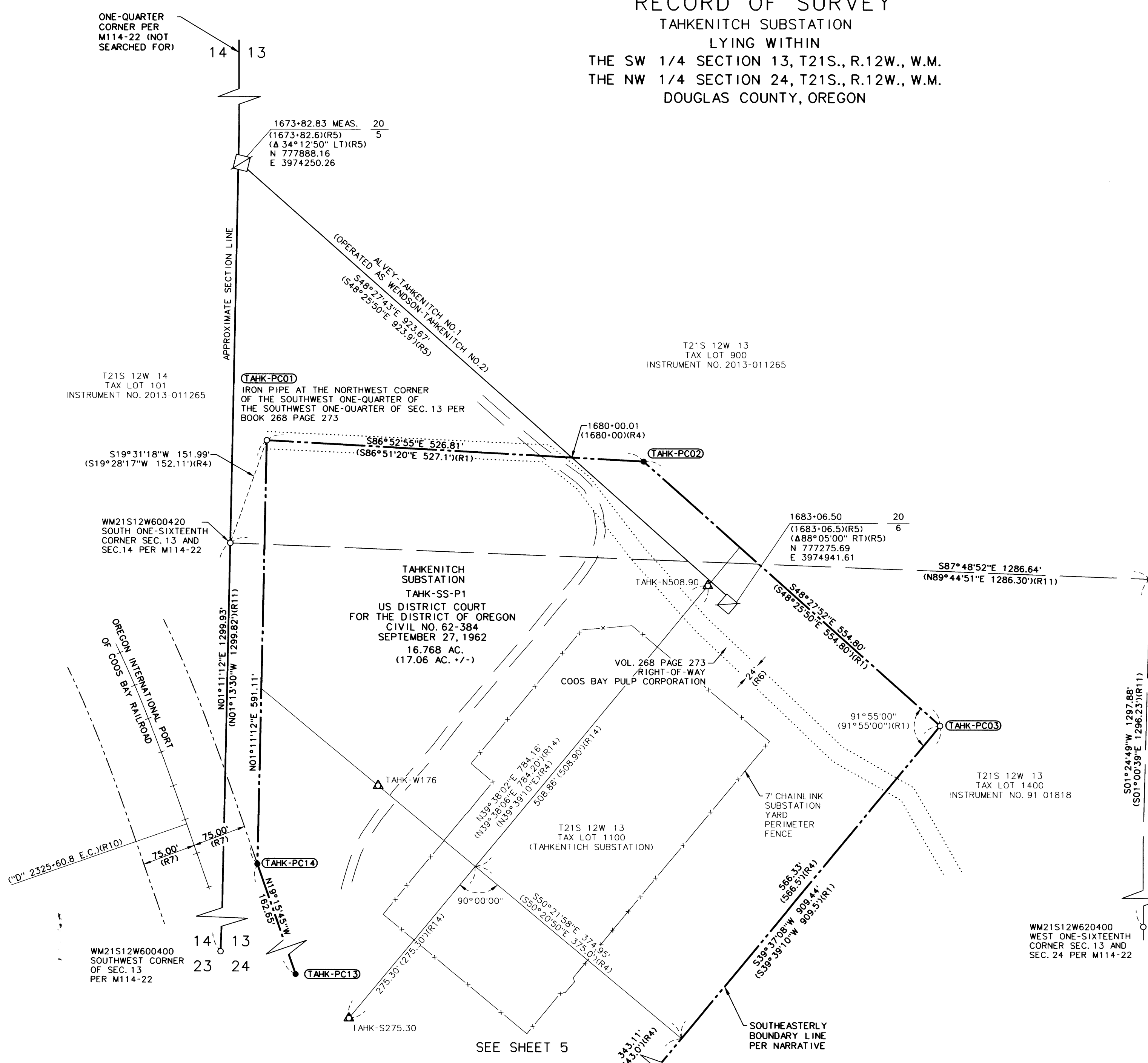
TAHKENITCH SUBSTATION
LYING WITHIN
THE SW 1/4 SECTION 13, T21S., R.12W., W.M.
THE NW 1/4 SECTION 24, T21S., R.12W., W.M.
DOUGLAS COUNTY, OREGON

FILED
Date: 9-3-2019 By: Di
This survey consists of:
Map: M176-4 A-F
Narrative: _____
Corner Rpt: _____
DOUGLAS COUNTY
SURVEYOR

MAP FILE M176-4D

LEGEND

- FOUND MONUMENT NOTED IN TABLE (SEE SHEET 1)
- △ CONTROL MONUMENT NOTED IN TABLE (SHEET 1)
- SET MONUMENT AS NOTED IN TABLE (THIS SHEET)
- () RECORD DATA PER REFERENCE LIST (SHEET 3)
- XXXX MONUMENT NUMBER
- ◇ BPA STEEL TRANSMISSION TOWER
- BPA PROPERTY LINE
- x-x- BPA FENCE LINE
- BPA BASELINE
- BPA ACCESS ROAD
- BPA TRANSMISSION CENTER LINE
- RAILROAD ALIGNMENT "D"
- ONE-SIXTEENTH LINE PER M114-22
- PRIVATE BOUNDARY LINE
- RAILROAD RIGHT-OF-WAY LINE
- SECTION LINE PER M114-22
- VOL. 268, PG 273 RIGHT-OF-WAY LINE

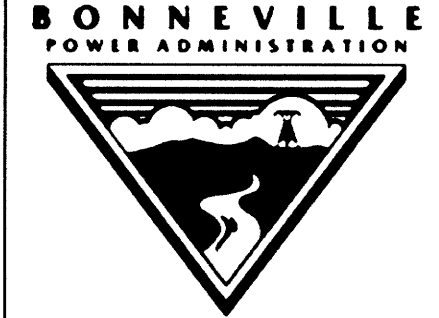


REGISTERED
PROFESSIONAL
LAND SURVEYOR

[Signature]
OREGON
JANUARY 8, 2019
REED CARLSON BEAUDUY
93377PLS
RENEWAL: DEC. 31, 2021
SIGNED: 9/6/2019

FILE NAME: WO_356103-68_ROS.dgn

OBEC CONSULTING ENGINEERS
A DOWL LLC Company
CORPORATE OFFICE:
920 COUNTRY CLUB ROAD, SUITE 100B EUGENE,
OREGON 97401-6089
REGIONAL OFFICES:
LAKE OSWEGO; SALEM; MEDFORD, OREGON;
VANCOUVER, WASHINGTON



TAHKENITCH SUBSTATION
RECORD OF SURVEY
DOUGLAS COUNTY, OREGON

AUGUST, 2019
SCALE 1"=100'
SHEET 4 OF 6

DESIGNED: R. BEAUDUY
DRAWN: A. DOUGHAN
CHK'D: N. WARDELL
PROJ. NO. 684-004.61
SER. NO. 336869-C

SET MONUMENT TABLE

POINT ID	GRID NORTHING	GRID EASTING	DATE	DESCRIPTION
TAHK-PC02	777473.44	3974812.73	05/22/19	SET 3-1/4" BPA ALUMINIUM CAP ON 5/8" X 30" REBAR STAMPED "TAHK-PC02 93377PLS OBE19", FLUSH
TAHK-PC13	776757.61	3974328.14	05/22/19	SET 3-1/4" BPA ALUMINIUM CAP ON 5/8" X 30" REBAR STAMPED "TAHK-PC13 93377PLS OBE19", FLUSH
TAHK-PC14	776911.15	3974274.48	05/28/19	SET 3-1/4" BPA ALUMINIUM CAP ON 5/8" X 30" REBAR STAMPED "TAHK-PC14 93377PLS OBE19", FLUSH

MAP FILE M176-4D