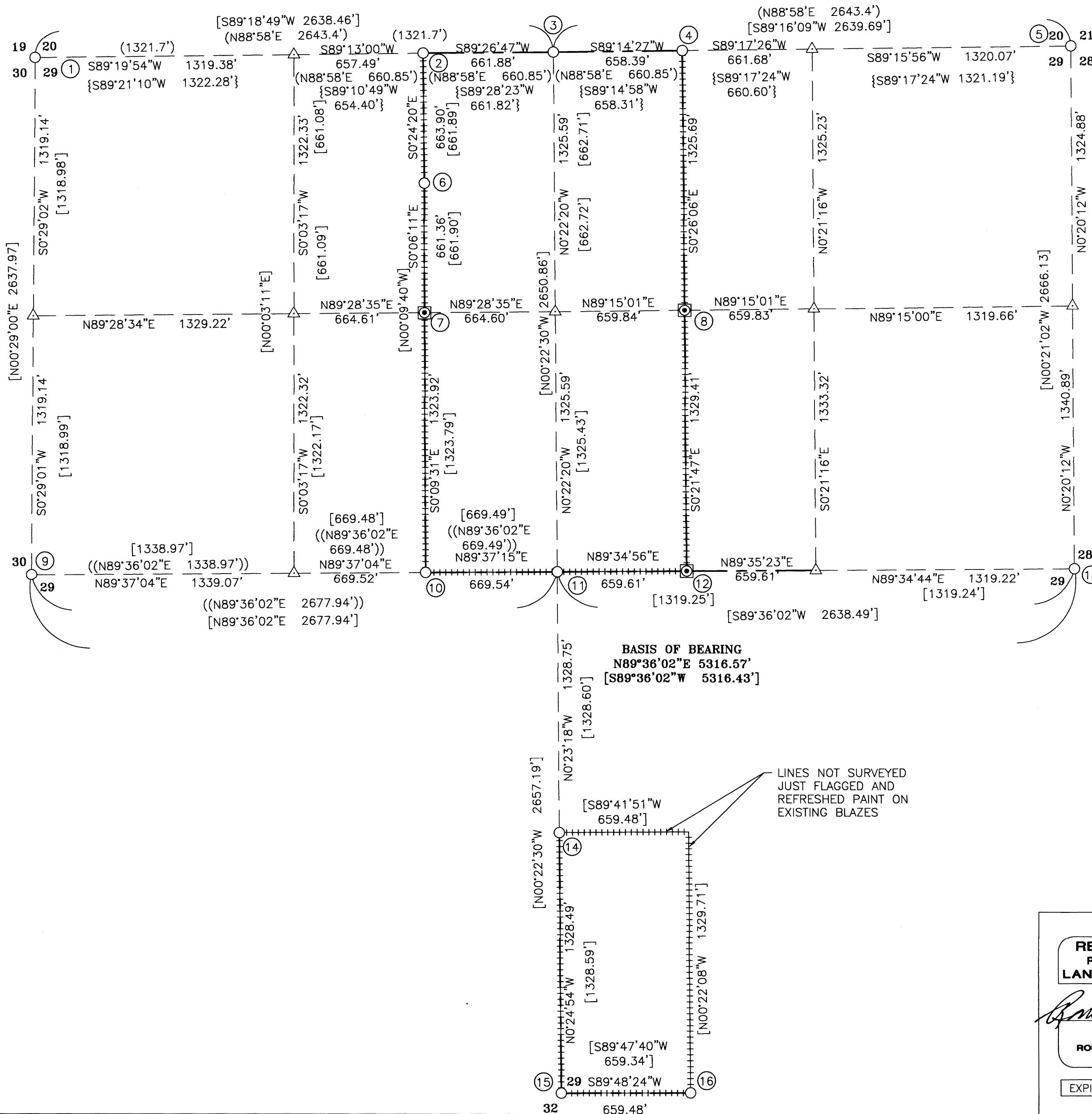


RECORD OF SURVEY

FILED
 Date: 8-27-19 By: EA
 This survey consists of:
 Map: M175-78 A+B
 Narrative: _____
 Corner Rpt: _____
DOUGLAS COUNTY
SURVEYOR

MAP FILE M175-78A



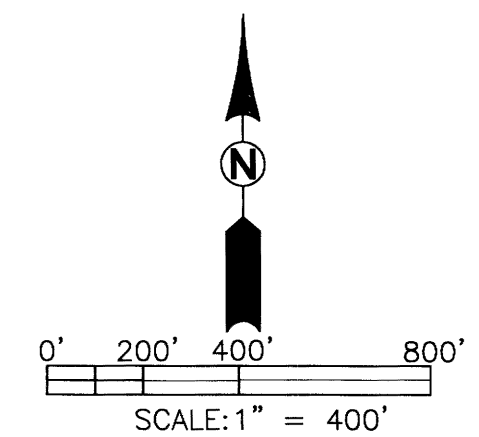
NARRATIVE:

THE PURPOSE OF THIS SURVEY WAS TO MONUMENT AND MARK BOUNDARY LINES IN SECTION 29 AS SHOWN. MONUMENTS OF RECORD WERE FOUND AND HELD AS NOTED. THE SECTION WAS THEN SUBDIVIDED PER THE 2009 BLM MANUAL OF INSTRUCTIONS. MONUMENTS ALONG THE WEST HALF OF THE NORTH LINE PER CS38-246-1 AND M146-16 WERE HELD FOR CONTROL. THE NE-NW 1/64 PER M110-11 WAS ALSO HELD AS IT HAS BEEN USED AND ACCEPTED IN THE FIELD. M110-11 DID NOT HOLD THE MONUMENTS ALONG THE NORTH LINE PER CS38/246-1. THE INTERIOR MONUMENTS PER M110-11 WERE HELD AS FOUND AND USED FOR THE SUBDIVISION OF THE SECTION. BEARING TREES WERE MARKED PER THE 2009 BLM MANUAL OF INSTRUCTION. MONUMENTS WERE THEN SET AS SHOWN.

THIS SURVEY WAS PERFORMED BY NOLAN FROMDAHL, RENDEN HEICHEL AND JORDAN OGDEN USING A COMBINATION OF NIKON AND TOPCON TOTAL STATIONS. CALCULATIONS WERE PERFORMED BY RON QUIMBY AND DRAFTING BY DAVID MANRING.

LEGEND

- FOUND MONUMENT AS NOTED
- SET 5/8" X 30" IRON ROD W/YPC MARKED "I.E. ENGINEERING"
- △ CALCULATED POINT
- +++++ LINES FLAGGED, BLAZED, PAINTED AND POSTED
- () RECORD INFO. PER CS 38/246-1
- (()) RECORD INFO. PER CS 63/116-1
- [] RECORD INFO. PER M 110-11
- { } RECORD INFO. PER M 146-16



REGISTERED PROFESSIONAL LAND SURVEYOR OREGON JULY 14, 1978 RONALD A. QUIMBY 1654 EXPIRES: 12/31/20		RECORD OF SURVEY LOCATED IN SECTION 29 TOWNSHIP 32 SOUTH, RANGE 04 WEST WILLAMETTE MERIDIAN, DOUGLAS COUNTY, OREGON	
SURVEYED FOR: SILVER BUTTE TIMBER CO P.O. BOX 4 RIDDLE, OR 97469		SURVEYED BY: 809 SE Pine Street Roseburg, Oregon 97470 PHONE (541) 673-0166 FAX (541) 440-9392 iemail@ieengineering.com	
JOB NO: 1815-02 SCALE: 1" = 400'		DWG. BY: DTM DATE: JULY 2019 PM: RAQ	
		PAGE: 1 OF 2	

MAP FILE M178-78A