

# RECORD OF SURVEY

LOCATED IN THE NORTHEAST 1/4, SOUTHEAST 1/4 AND SOUTHWEST 1/4 OF SECTION 13,  
TOWNSHIP 22 SOUTH, RANGE 6 WEST, W.M.,  
DOUGLAS COUNTY, OREGON

**NARRATIVE**  
THE PURPOSE OF THIS SURVEY WAS TO LOCATE AND MARK BOUNDARIES OF A PARCEL OF LAND DESCRIBED PER BOOK 780, PAGE 445, RECORDS OF DOUGLAS COUNTY, OREGON.

IN 1928, DEPUTY COUNTY SURVEYOR BEN B. IRVING SURVEYED (VOL. 3, PG. 284-285) WITHIN SECTION 13, RECOVERING SEVERAL DONATION LAND CLAIM CORNERS AND ESTABLISHING THE CENTER 1/4 CORNER, THE CENTER-NORTH 1/16 CORNER, THE NORTHWEST CORNER OF GOVERNMENT LOT 5 AND THE SOUTHWEST CORNER OF GOVERNMENT LOT 5. IRVING ESTABLISHED THE CENTER 1/4 BY SINGLE PROPORTIONING BETWEEN THE SOUTH 1/4 AND NORTH 1/4 CORNERS. SUBSEQUENTLY, IN M7-65 WILFORD HAINES SETS A MONUMENT FOR THE CENTER-NORTH 1/16 CORNER USING IRVING'S SINGLE PROPORTION METHOD. HAINES DOES NOT RECOVER IRVING'S CENTER 1/4 OR CENTER-NORTH 1/16.

THE BOUNDARIES OF THIS PARCEL WERE DETERMINED AS FOLLOWS:

THE EAST AND NORTH BOUNDARIES OF GOVERNMENT LOT 5 WERE DETERMINED BY HOLDING FOUND MONUMENTS PER VOLUME 3, PAGE 284-285. BECAUSE HAINES DID NOT RECOVER THE EXISTING MONUMENT AT THE CENTER 1/4 CORNER DURING HIS M31-29 SURVEY, HIS SET MONUMENTS ALONG THE NORTH BOUNDARY OF GOVT. LOT 5 LIE OFFLINE AND WERE NOT HELD.

THE WEST BOUNDARY OF GOVERNMENT LOT 3 WAS BASED ON HOLDING THE FOUND CENTER 1/4 AND CENTER-NORTH 1/16 MONUMENTS ESTABLISHED PER VOLUME 3, PAGE 285.

THE EAST BOUNDARY OF GOVERNMENT LOT 3 AND GOVERNMENT LOT 4 (WEST BOUNDARY OF STILLWELL D.L.C. NO. 45) WAS BASED ON HOLDING THE FOUND DONATION LAND CLAIM CORNERS. FOUND MONUMENTATION SET BY ELK CREEK HOMESITES, ELK CREEK HOMESITES EXTENSION AND M104-21 WAS FOUND OFFLINE AS SHOWN. ALTHOUGH THESE SURVEYS INDICATE THAT THEY INTENDED TO MONUMENT THE D.L.C. BOUNDARY, NONE OF THEM INDICATE RETRACING THIS BOUNDARY BY MEASUREMENT TO THE INTERIOR NORTHWEST CORNER OF D.L.C. AS A RESULT, THESE MONUMENTS WERE NOT HELD TO DETERMINE THE LOCATION OF THE EAST BOUNDARY OF SAID GOVERNMENT LOTS.

A WIRE FENCE CONSTRUCTED BY AN ADJOINER ENCLOSES ON THE NORTH BOUNDARY OF GOVERNMENT LOT 5 AND THE WEST BOUNDARY OF GOVERNMENT LOT 3 AS SHOWN.

THE NORTH BOUNDARY OF MY CLIENT'S PARCEL IS DESCRIBED PER DEED AS THE NORTH BOUNDARY OF GOVERNMENT LOT 3. IN 1958, THE ADJOINING PROPERTY TO THE NORTH OF GOVERNMENT LOT 3 WAS SURVEYED BY HAINES IN SURVEY M7-65. HAINES DOES NOT RECOVER IRVING'S CENTER-NORTH 1/16 MONUMENT AND SETS A NEW MONUMENT BY SINGLE PROPORTION. HE SHOWS A FOUND 1/2" IRON PIPE AT THE SOUTHEAST CORNER OF THE PARCEL. I HAVE BEEN UNABLE TO DETERMINE THE ORIGIN OF THIS IRON PIPE OR ANY EVIDENCE INDICATING THAT IT REPRESENTS THE NORTH BOUNDARY OF GOVERNMENT LOT 3. HAINES STATES THAT THE PURPOSE OF M7-65 WAS TO PREPARE A DEED DESCRIPTION. THIS ADJOINING PARCEL WAS LATER PARTITIONED BY QUIMBY'S SURVEY M76-23 AND THE PARCELS ARE NOW DESCRIBED BASED ON HIS SURVEY. THEIR DESCRIPTIONS ALSO CONTAIN CALLS TO THE NORTH BOUNDARY OF INSTRUMENT NO. 266177 (VOL. 286, PAGE 661) WHICH ARE IN EFFECT CALLS TO THE NORTH LINE OF GOVERNMENT LOT 3. THERE APPEARS TO BE AN OVERLAP CREATED BY THESE METES-BOUNDS DESCRIPTIONS (DISCOUNTING THE CALL TO GOVERNMENT LOT 3) AND MONUMENTATION BY HAINES AND QUIMBY. MY CLIENT HAS OPTED TO YIELD TO THE LINE MONUMENTED BY HAINES & QUIMBY AND PLANS TO RESOLVE THE APPARENT OVERLAP IN THE FUTURE.

THE INTERSECTION POINT OF THE WEST BOUNDARY OF D.L.C. NO. 45 AND THE LINE MONUMENTED BY HAINES IN M7-65 FALLS IN THE BASE OF A TREE. REFERENCE MONUMENTS WERE SET FOR THIS POINT AS SHOWN IN DETAIL "A".

BEARING TREES WERE MARKED WITH TAGS AND A "X" CHOPPED IN THE FACE. DISTANCES WERE MEASURED TO SPIKES AT SIDE CENTER. BEARINGS TO TREES WERE MEASURED BY HAND COMPASS.

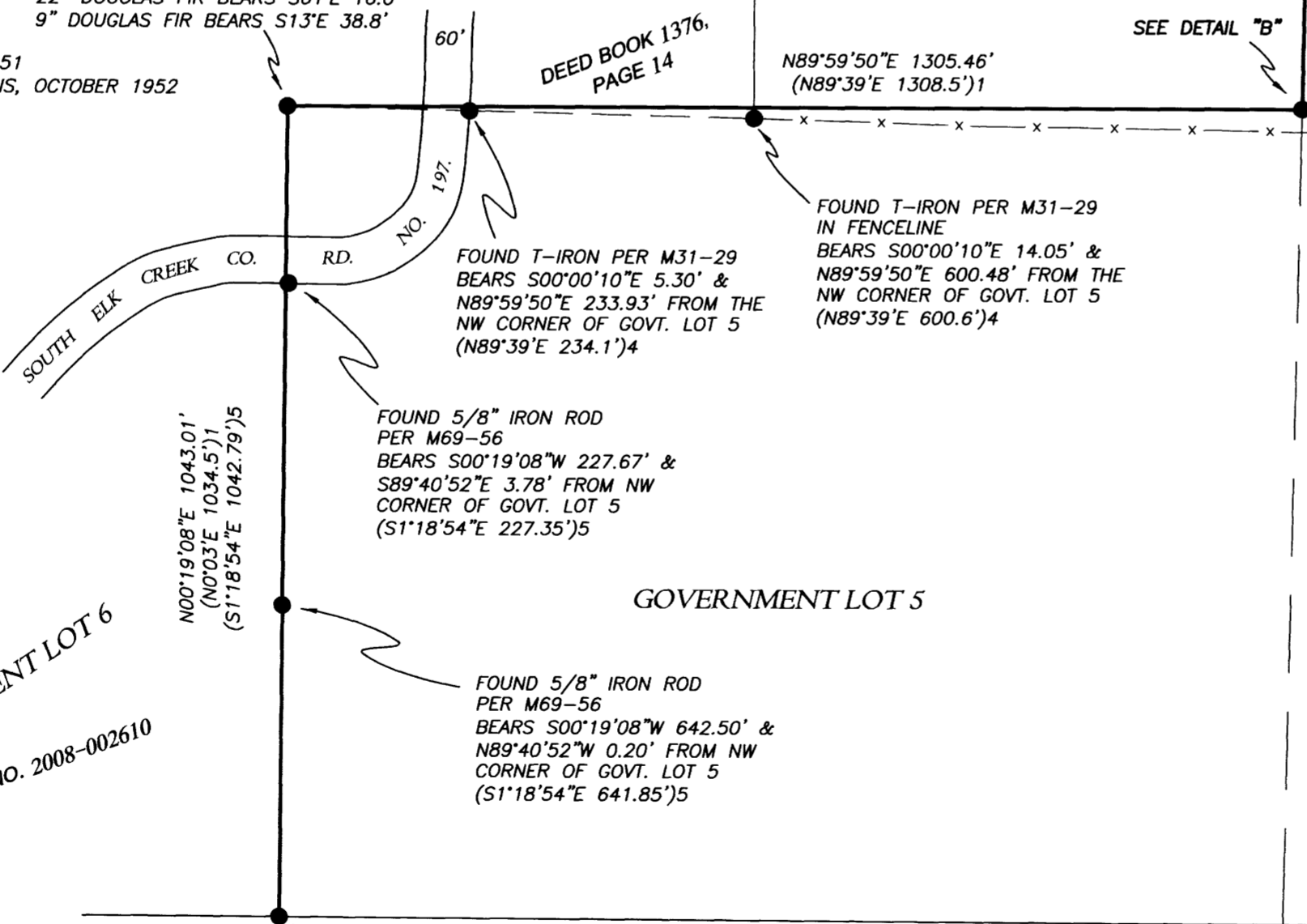
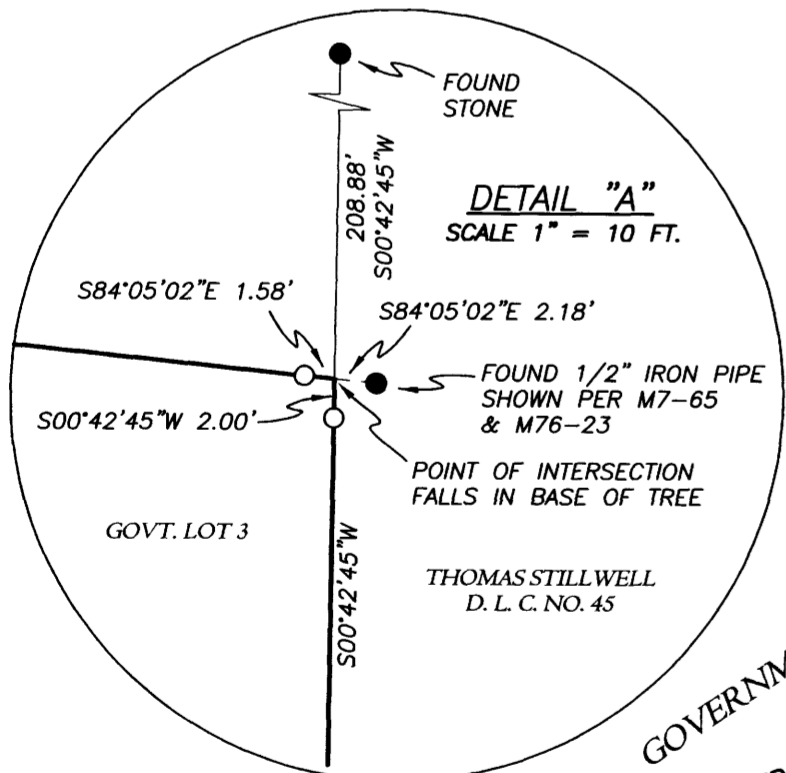
THIS SURVEY WAS COMPLETED USING A NIVO-2M TOTAL STATION, TRIMBLE 5700 RECEIVER, TRIMBLE R8 RECEIVER AND TSC2 DATA COLLECTORS. ASSISTING IN THIS SURVEY WERE DANNY DEAN, LOGAN LUCERO, MIKE WALBERG AND JOHN HOSHALL.

**BASIS OF BEARING**  
GEODETIC NORTH BASED ON GPS OBSERVATION

- REFERENCE SURVEYS**
- VOLUME 3, PAGE 284-285 BY B.IRVING, APRIL 1928
  - M7-65 BY W.HAINES, JANUARY 1958
  - M76-23 BY R.QUIMBY FEBRUARY 1979
  - M31-29 BY W.HAINES, MARCH 1966
  - M69-56 BY G.BAUGHMAN, MARCH 1978
  - VOL. 9, PAGE 26, ELK CREEK HOMESITES, B.IRVING, JANUARY 1951
  - VOL. 10, PAGE 24, ELK CREEK HOMESITES EXTENSION BY A.EVANS, OCTOBER 1952
  - M104-21 BY W.HAINES, MAY 1987

**NORTHWEST CORNER**  
GOVERNMENT LOT 5  
FOUND 3/4" IRON PIPE  
PER VOLUME 3, PAGE 285

**BEARING TREE FOUND**  
ROTTEN FIR STUMP (VISIBLE SCRIBING) BEARS S38°E 7.6' (S38°E 7.0')1  
22" DOUGLAS FIR BEARS S61°E 16.0'  
9" DOUGLAS FIR BEARS S13°E 38.8'



**CENTER 1/4 CORNER**  
FOUND 3/4" IRON PIPE  
PER VOLUME 3, PAGE 285  
FENCE CORNER BEARS S52°53'29"E 49.7'

**BEARING TREE FOUND**  
27" DOUGLAS FIR (HEALED FACE) BEARS S10°W 52.8' (S13°W 54')1

**BEARING TREE MARKED**  
6" DOUGLAS FIR BEARS S87°E 41.2'

GOVERNMENT LOT 4

REGISTERED  
PROFESSIONAL  
LAND SURVEYOR

OREGON  
July 12, 2005  
Corey M. Woodruff  
62978  
EXPIRES 6/30/18

THOMAS STILLWELL  
DONATION LAND  
CLAIM NO. 45

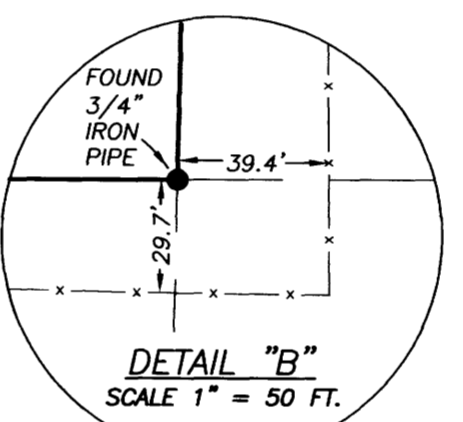
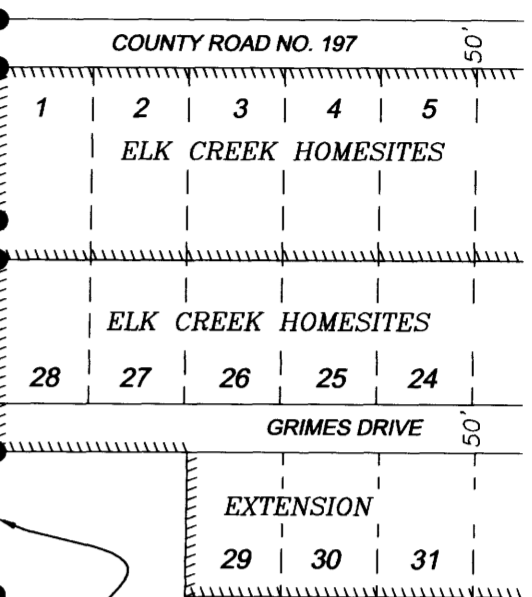
**SOUTHWEST CORNER**  
GOVERNMENT LOT 5  
FOUND 3/4" IRON PIPE  
PER VOLUME 3, PAGE 285

**BEARING TREE FOUND**  
48" FIR STUMP (ROTTEN) BEARS S58°W 58.0' TO FACE (S57°15'W 58.0')1

**BEARING TREES MARKED**  
8" DOUGLAS FIR BEARS S42°E 10.8'  
8" DOUGLAS FIR BEARS S26°W 5.2'

**F.L.E.D.**  
Date: 11-7-2016 By: JC  
This survey consists of:  
Map: M172-53  
Narrative:  
Corner Rpt:

DOUGLAS COUNTY  
SURVEYOR



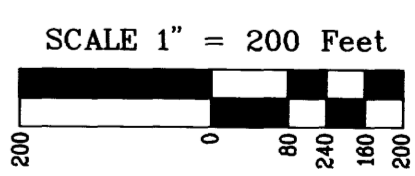
**FOUND 5/8" IRON ROD**  
PER M104-21  
S00°42'45"W 598.08' &  
S89°17'15"E 5.44'  
FROM FOUND STONE

**FOUND 5/8" IRON ROD**  
PER M104-21  
S00°42'45"W 1349.68' &  
S89°17'15"E 11.91'  
FROM FOUND STONE

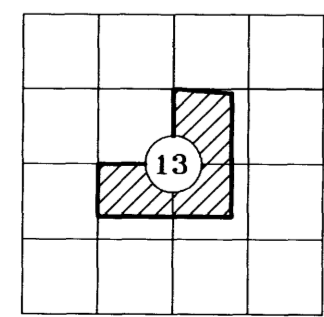
**LEGEND**

- FOUND MONUMENT AS NOTED
- SET 5/8"x30" IRON ROD WITH YELLOW PLASTIC CAP MARKED "STUNTZNER ENG."
- ( ) RECORD DIMENSION PER REFERENCE
- DCSO DOUGLAS COUNTY SURVEYOR'S OFFICE
- x - WIRE FENCE
- BOUNDARY BLAZED & PAINTED

**INTERIOR NORTHWEST CORNER**  
THOMAS STILLWELL D.L.C. NO.45  
FOUND 3/4" IRON PIPE  
SET PER VOLUME 3, PAGE 285 AND  
SHOWN PER DCSO CS66/29-28



**INDEX LOCATION**  
T.22S. R.6W., W.M.



**Stuntzner**  
Engineering & Forestry, LLC  
2137 19TH AVENUE  
FOREST GROVE, OR 97116  
PHONE: (541) 267-2872  
FAX: (541) 267-0588  
www.stuntzner.com  
Engineering - Land Surveying - Forestry - Land Planning - Water Rights

JOB #: 316055  
DATE: 10/18/16  
DRAWN BY: CMW  
CHECKED BY: JMH

PREPARED FOR: Eagle's View Management  
Box 10638  
Eugene, OR 97440

FILE NAME: 316055\_plat D.dwg  
SHEET 1 OF 1

MAP FILE M172-53

MAP FILE M172-53