

AMENDED RECORD OF SURVEY

(SURVEY M-166-18)
LOCATED IN THE
NE 1/4 OF SECTION 15
TOWNSHIP 29 SOUTH, RANGE 9 WEST, W.M.
DOUGLAS COUNTY, OREGON

DATE: 9-21-2015 BY: JLC
This survey consists of:
Map: M166-43B-A-C
Narrative:
Corner Rpt:

DOUGLAS COUNTY
SURVEYOR

REVISED - SEE M171-16

CORNER NOTES:

- (142788)**
1/4 CORNER COMMON TO SECTIONS 14/15
FOUND 2" BRASS CAP
STAMPED COUNTY SURVEYOR'S OFFICE 1974
BT REFERENCES:
1) 11-1/2" FIR WITH HEALED FACE
AND ROSEBURG RESOURCES TAG DATED 9/04
N 2-1/2" E - 35.2' TO NAIL IN SIDE CENTER
2) 19.5" FIR WITH HEALED FACE
AND ROSEBURG RESOURCES TAG DATED 9/04
S 54" E - 33.7' TO NAIL IN SIDE CENTER
3) 30" DIA. 22 FT. TALL SNAG WITH HEALED FACE
AND BLM TAG DATED 9/59
S 3-1/2" E - 30.6'
4) 11.5" FIR WITH HEALED FACE
AND ROSEBURG RESOURCES TAG DATED 9/04
S 80-1/2" W - 48.2' TO NAIL IN SIDE CENTER
5) 28" FIR WITH HEALED FACE
AND ROSEBURG RESOURCES TAG DATED 9/04
N 63-1/2" W - 44.2' TO NAIL IN SIDE CENTER

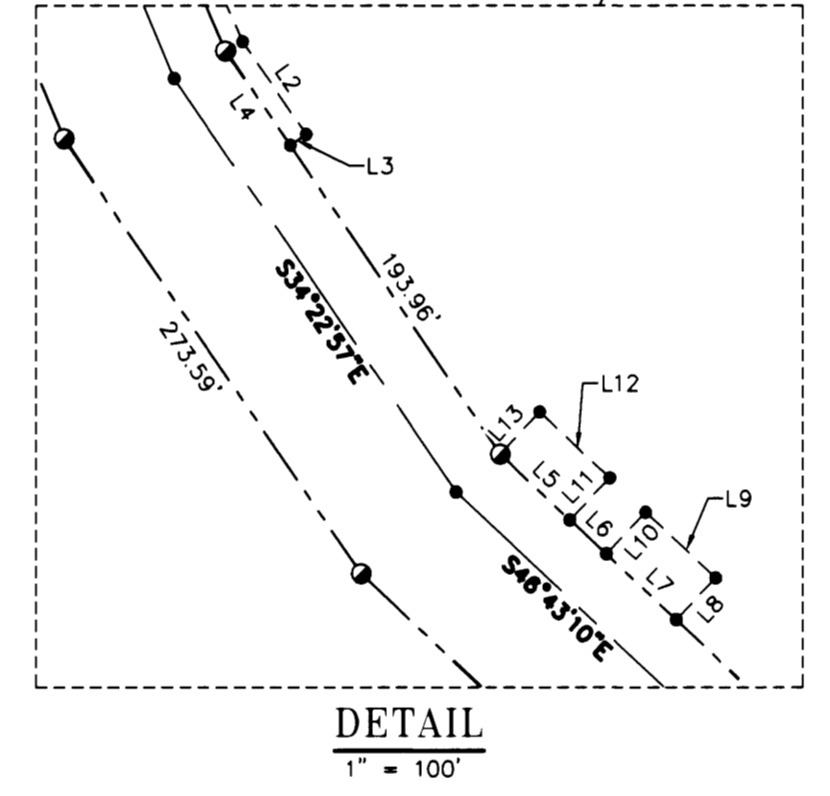
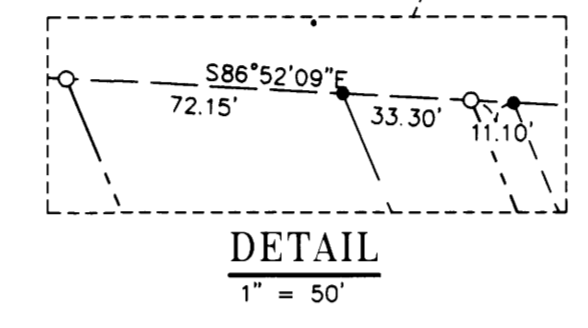
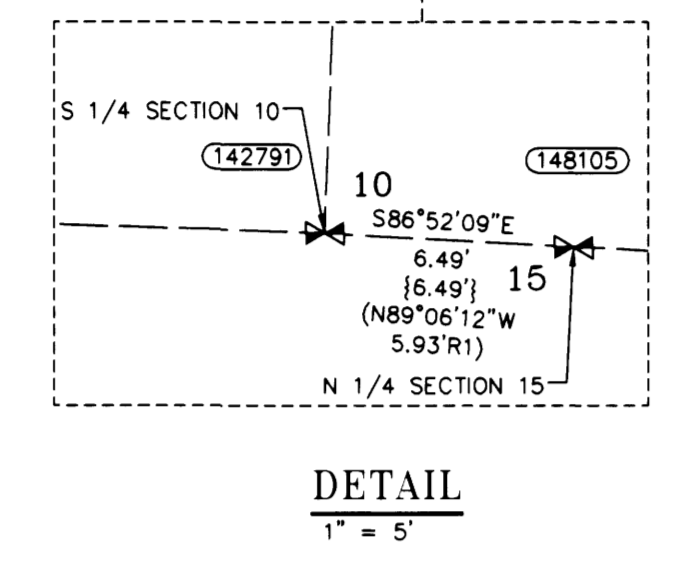
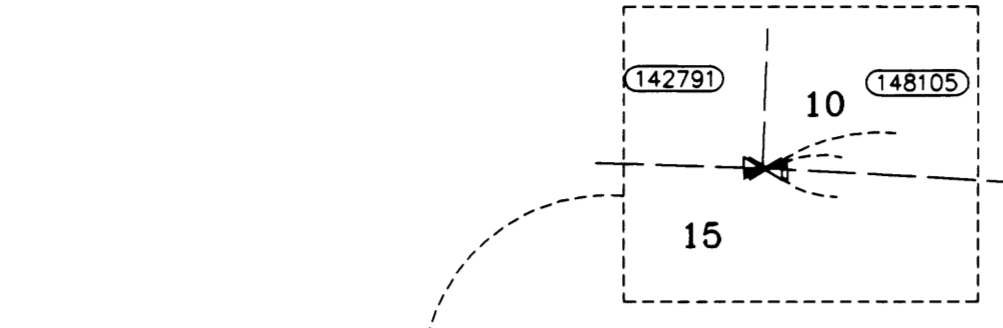
- (142791)**
SOUTH 1/4 CORNER SECTION 10
FOUND 2-1/2" BRASS CAP
STAMPED COUNTY SURVEYOR'S OFFICE 1959
BT REFERENCES:
1) 13" WHITE FIR WITH HEALED FACE
WITH TAG DATED 01/01
N 55" E - 9.1' TO NAIL IN SIDE CENTER

- (148083)**
NORTHEAST CORNER SECTION 15
FOUND 2-1/2" BRASS CAP
STAMPED COUNTY SURVEYOR 1959
STAMPED BLM 1966
BT REFERENCES:
1) 47" FIR WITH HEALED FACE
AND ROSEBURG RESOURCES TAG DATED 09-04
N 08" E - 33.8' TO NAIL IN SIDE CENTER
2) 23-1/2" FIR WITH HEALED FACE
AND ROSEBURG RESOURCES TAG DATED 9/04
N 50" E - 11.8' TO NAIL IN SIDE CENTER
3) 37" FIR WITH HEALED FACE
AND ROSEBURG RESOURCES TAG DATED 9/04
S 44-1/2" E - 21.1' TO NAIL IN SIDE CENTER
4) 16" FIR WITH HEALED FACE
AND ROSEBURG RESOURCES TAG DATED 09/04
S 36-1/2" W - 3.5' TO NAIL IN SIDE CENTER
5) 12" FIR WITH HEALED FACE
AND ROSEBURG RESOURCES TAG DATED 09-04
N 55" W - 14.8' TO NAIL IN SIDE CENTER

- (148100)**
NORTH 1/4 CORNER SECTION 15
FOUND 3-1/4" ALUMINUM CAP
STAMPED BLM 2005
BT REFERENCES:
1) 13" HEMLOCK WITH VISIBLE SCRIBE
AND BLM TAG DATED 09/05
S 58-1/4" E - 5.0' TO NAIL IN SIDE CENTER
2) 7" HEMLOCK WITH VISIBLE SCRIBE
AND BLM TAG DATED 09/05
S 27 1/2" W - 6.7' TO NAIL IN SIDE CENTER

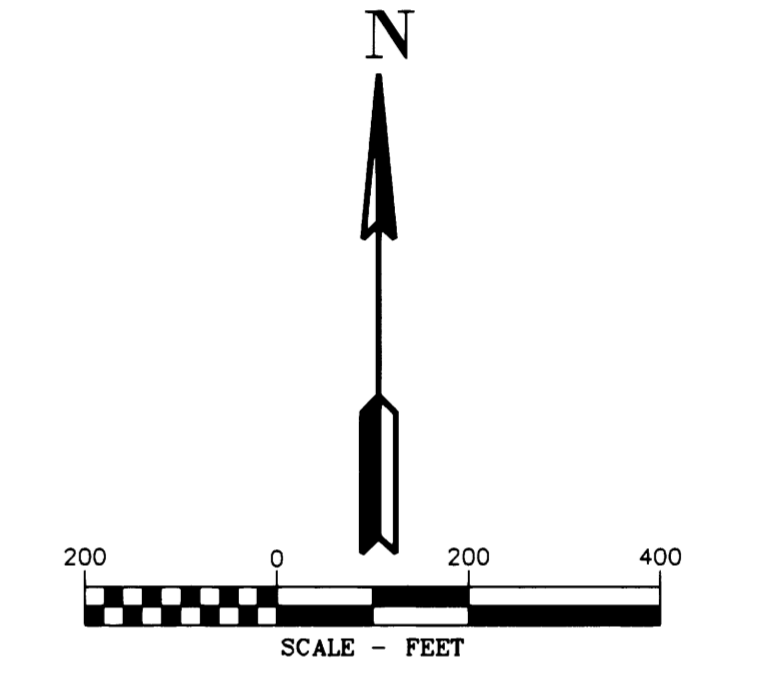
LEGEND

- 5/8" x 24" REBAR WITH 1 1/4" YELLOW PLASTIC CAP FROM SURVEY M166-18 VERIFIED OR RESET THIS AMENDED SURVEY. (KLEIN & ASSOC. PLS 59002)
- SET 5/8" x 24" REBAR WITH 1 1/4" YELLOW PLASTIC CAP SURVEY M166-18 VERIFIED OR RESET THIS AMENDED SURVEY. (KITZ 1853LS)
- ⊙ FOUND MONUMENT AS NOTED (SEE CORNER NOTES)
- COMPUTED POINT, NOT MONUMENTED
- ⚡ FOUND QUARTER CORNER SEE CORNER NOTES
- ⚡ FOUND SECTION CORNER SEE CORNER NOTES
- ⚡ QUARTER CORNER FOR REFERENCE ONLY
- ⚡ SECTION CORNER FOR REFERENCE ONLY
- ⊙ POINT NUMBER
- {xxx.xx'} GROUND DISTANCE
- {xxx.xx'} RECORD DISTANCE PER REFERENCED SURVEY
- R1 REFERENCED SURVEY
- PROPOSED ALIGNMENT
- - - - - TEMPORARY CONSTRUCTION EASEMENT
- - - - - TEMPORARY WORK AREA



AREA SECTION 15

TEMPORARY CONSTRUCTION EASEMENT	3.15 ACRES
TEMPORARY WORK AREA	0.25 ACRES



LINE TABLE

Line #	Direction	Length
L1	S22°35'59"E	719.34'
L2	S34°22'57"E	58.53'
L3	S55°37'03"W	10.00'
L4	S34°22'57"E	59.56'
L5	S46°43'10"E	49.99'
L6	S46°43'10"E	25.83'
L7	S46°43'10"E	50.03'
L8	S43°16'50"W	30.00'
L9	S46°43'10"E	50.03'
L10	N43°16'50"E	30.00'
L11	S43°16'50"W	30.00'
L12	S46°43'10"E	49.99'
L13	N43°16'50"E	30.00'

REFERENCE SURVEYS:

- 1) BLM DEPENDENT RESURVEY NO. 7434 - AUGUST 18, 2010
- 2) SURVEY NO. M136-62 - MARCH 16, 2001
- 3) BLM ADMINISTRATIVE SURVEY NO. M81-12 - DATED NOV. 26, 1979
- 4) SURVEY NO. M95-75 - JANUARY 1984
- 5) BLM DEPENDENT RESURVEY NO. 7296 - OCT. 24, 2008
- 6) BLM DEPENDENT RESURVEY NO. 7137 - OCT. 22, 2004
- 7) BLM DEPENDENT RESURVEY NO. 5457 - MARCH 12, 1971
- 8) BLM RETRACEMENT SURVEY NO. 7439 - SEPT. 27, 2010
- 9) ORIGINAL GLO PLAT JULY 1856
- 10) SURVEY NO. M135-53 - SEPT. 9, 2000
- 11) BLM DEPENDENT RESURVEY NO. 5397 - JAN. 23, 1969

REGISTERED
PROFESSIONAL
LAND SURVEYOR
Douglas A. Popham
OREGON
JULY 14, 1968
DOUGLAS A. POPHAM
2877
Expires 12-31-2016

CERTIFIED
FEDERAL SURVEYOR
1245
Expires June 5, 2017

REGISTERED
PROFESSIONAL
LAND SURVEYOR
Richard R. Fritz
OREGON
JULY 13, 1979
RICHARD R. FRITZ
1853
Expires 6-30-2017

REGISTERED
PROFESSIONAL
LAND SURVEYOR
James M. Klein
OREGON
JULY 12, 2009
JAMES M. KLEIN
69002
Expires 6-30-2017

Primm Land Surveying, Inc.
1340 NE 4th Street, Hermiston, OR 97838
TEL (541) 564-7887 FAX (541) 567-8020

EASTSIDE CONSULTANTS, INC.
REGISTERED SURVEYORS
1300 S.W. HILL ST. SUITE 2
HERMISTON, OREGON 97838
TEL: 541-866-3322 FAX: 541-866-0767

Klein & Associates, Inc.
ENGINEERING • SURVEYING • PLANNING
1411 13th Street • Hood River, OR 97031
TEL: 541-386-3222 • FAX: 541-386-2616

PACIFIC CONNECTOR GAS PIPELINE PROJECT
PACIFIC CONNECTOR GAS PIPELINE, LP
SECTION 15
RECORD OF SURVEY
TOWNSHIP 29 SOUTH, RANGE 9 WEST, W.M.
DOUGLAS COUNTY, OREGON

Pacific Connector GAS PIPELINE

DRAWN BY: LJS	DATE: 06-01-2015	ISSUED FOR BID:	SCALE: 1" = 200'
CHECKED BY:	DATE:	ISSUED FOR CONSTRUCTION:	
APPROVED BY:	DATE:	DRAWING NUMBER:	SHEET 2 OF 3