

# AMENDED RECORD OF SURVEY

(SURVEY M-166-18)  
LOCATED IN THE  
NE 1/4 OF SECTION 15 AND THE N 1/2 OF SECTION 13  
TOWNSHIP 29 SOUTH, RANGE 9 WEST, W.M.  
DOUGLAS COUNTY, OREGON

FILED  
Date: 9-21-2015 By: JC  
This survey consists of:  
Map: M-166-43A-c  
North: true  
Corner: true  
DOUGLAS COUNTY  
SURVEYOR

### AMENDMENT NOTE:

PIPELINE DESIGN CHANGES HAVE OCCURRED SINCE THE FILING OF SURVEY M166-18. ALL MONUMENTS SET IN M166-18 THAT ARE NO LONGER PART OF THE UPDATED DESIGN HAVE BEEN REMOVED. NEW MONUMENTS HAVE BEEN SET AS SHOWN HEREON.

THE ADDITIONAL RECORD DATA IS BEING SHOWN ON THIS SURVEY.

### LEGEND

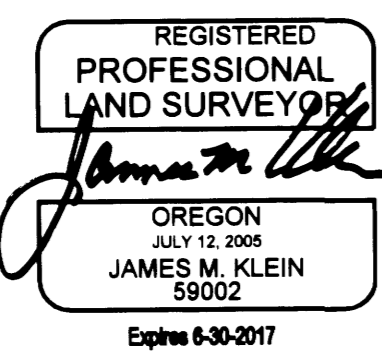
- 5/8" X 24" REBAR WITH 1 1/4" YELLOW PLASTIC CAP FROM SURVEY M166-18 VERIFIED OR RESET THIS AMENDED SURVEY. (KLEIN & ASSOC. PLS 59002)
- SET 5/8" X 24" REBAR WITH 1 1/4" YELLOW PLASTIC CAP SURVEY M166-18 VERIFIED OR RESET THIS AMENDED SURVEY. (KITZ 18535)
- ⊙ FOUND MONUMENT AS NOTED (SEE CORNER NOTES)
- COMPUTED POINT, NOT MONUMENTED
- ⊠ FOUND QUARTER CORNER SEE CORNER NOTES
- ⊠ FOUND SECTION CORNER SEE CORNER NOTES
- ⊠ QUARTER CORNER FOR REFERENCE ONLY
- ⊠ SECTION CORNER FOR REFERENCE ONLY
- POINT NUMBER
- [XXX.XX'] GROUND DISTANCE
- (XXX.XX') RECORD DISTANCE PER REFERENCED SURVEY
- R1 REFERENCED SURVEY
- PROPOSED ALIGNMENT
- TEMPORARY CONSTRUCTION EASEMENT
- TEMPORARY WORK AREA

### SURVEYOR'S CERTIFICATE

I, JAMES M. KLEIN BEING DULY SWORN AS A PROFESSIONAL LAND SURVEYOR IN THE STATE OF OREGON DO HEREBY CERTIFY THAT THIS MAP CORRECTLY REPRESENTS A SURVEY CONDUCTED UNDER MY DIRECT SUPERVISION IN CONFORMANCE WITH THE REQUIREMENTS OF THE SURVEY RECORDING LAW, AS ESTABLISHED BY ORS CHAPTER 209, AND HAVE SET THE PROPER MONUMENTS AS REFERENCED IN THE LEGEND BY MY REGISTRATION NUMBER AND SEAL.

FURTHERMORE, I APPROVE THE LOCATION OF THE MONUMENTS AS DEPICTED ON THIS SURVEY DRAWING TO BE IN THEIR PROPER LOCATION.

JAMES M. KLEIN PLS. 59002

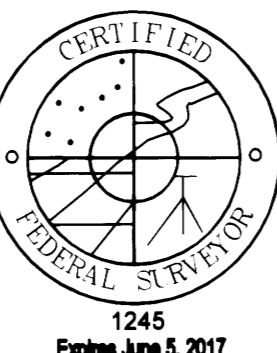
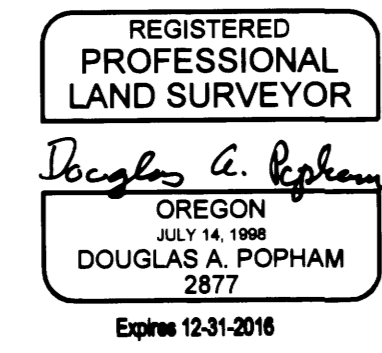


### SURVEYOR'S CERTIFICATE

I, DOUGLAS A. POPHAM BEING DULY SWORN AS A PROFESSIONAL LAND SURVEYOR IN THE STATE OF OREGON, ALSO BEING A CERTIFIED FEDERAL SURVEYOR, DO HEREBY CERTIFY THAT THIS MAP CORRECTLY REPRESENTS A SURVEY THAT I HAVE REVIEWED AND VERIFIED. THIS SURVEY CONFORMS WITH THE REQUIREMENTS OF THE STATE OF OREGON SURVEY RECORDING LAW, AS ESTABLISHED BY ORS CHAPTER 209.

FURTHERMORE, I APPROVE THE DESCRIPTIONS, DIMENSIONS AND LOCATIONS OF THE RECOVERED MONUMENTS AS DEPICTED HEREON.

DOUGLAS A. POPHAM PLS. 2877 OFDS 1245

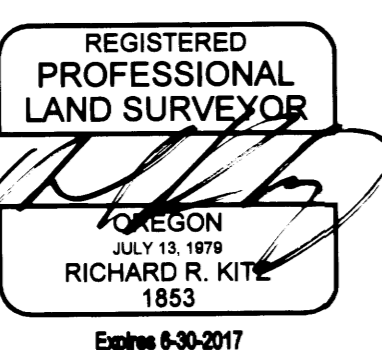


### SURVEYOR'S CERTIFICATE

I, RICHARD R. KITZ BEING DULY SWORN AS A PROFESSIONAL LAND SURVEYOR IN THE STATE OF OREGON DO HEREBY CERTIFY THAT THIS MAP CORRECTLY REPRESENTS A SURVEY CONDUCTED UNDER MY DIRECT SUPERVISION IN CONFORMANCE WITH THE REQUIREMENTS OF THE SURVEY RECORDING LAW, AS ESTABLISHED BY ORS CHAPTER 209, AND HAVE SET THE PROPER MONUMENTS AS REFERENCED IN THE LEGEND BY MY REGISTRATION NUMBER AND SEAL.

FURTHERMORE, I APPROVE THE LOCATION OF THE MONUMENTS AS DEPICTED ON THIS SURVEY DRAWING TO BE IN THEIR PROPER LOCATION.

RICHARD R. KITZ PLS. 1853



T. 29S., R. 09W

15	13
----	----

SURVEY PERFORMED FOR: WILLIAMS PACIFIC CONNECTOR DATE: FEBRUARY 5, 2015 PROJECT: 14-02-05 DRAFT: GD, LS FILE: RS-29S-R09W-ADWG

### SHEET INDEX:

- SHEET 1 = COVER PAGE TOWNSHIP OVERVIEW
- SHEET 2 = SECTION 15
- SHEET 3 = SECTION 13

### NARRATIVE

THE PURPOSE OF THIS SURVEY IS TO AMEND THE SURVEY FILED AS COUNTY SURVEY NO. M166-18. THIS SURVEY SHOWS ADDITIONAL INFORMATION FOR THE FOUND AND RECORD DATA BETWEEN EXISTING MONUMENTS. THIS SURVEY ALSO HAS AN ADDITIONAL SURVEY CERTIFICATE SHOWN.

THE TEMPORARY CONSTRUCTION CORRIDOR FOR THE WILLIAMS PACIFIC CONNECTOR GAS LINE. THIS SURVEY IS LOCATED IN TOWNSHIP 29 SOUTH, RANGE 9 WEST, OF THE WILLAMETTE MERIDIAN.

THE PUBLIC LAND SURVEY SYSTEM MONUMENTS WERE FOUND AND TIED BY KLEIN & ASSOCIATES AND VERIFIED BY DOUG POPHAM A CERTIFIED FEDERAL SURVEYOR.

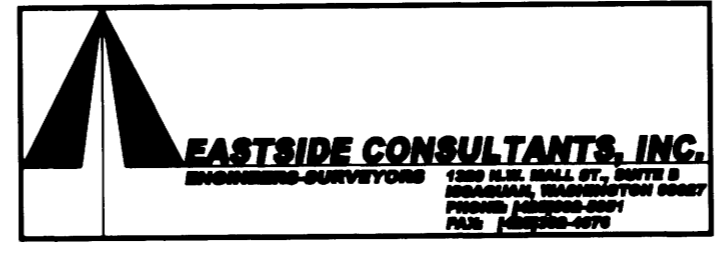
THE TEMPORARY CONSTRUCTION EASEMENT WAS SURVEYED AND MONUMENTED BY EASTSIDE CONSULTANTS, INC.

THE INTERSECTION OF THE TEMPORARY CONSTRUCTION EASEMENT AND THE FEDERAL LANDS WERE MONUMENTED BY KLEIN & ASSOCIATES.

### SCALE FACTOR NOTE

THE DISTANCES SHOWN ON THIS SURVEY ARE GRID DISTANCES UNLESS NOTED. THE COMBINED SCALE FACTOR = 0.999804944 TO CONVERT FROM GRID TO GROUND MULTIPLY THE DISTANCE BY 1.000195054.

EXAMPLE: 300.00' GRID DISTANCE 300.00' x 1.000195054 = 300.06' GROUND DISTANCE.



### CORNER NOTES:

- (140907)** EAST 1/4 CORNER SECTIONS 11 AND 14 FOUND 2" ALUMINUM CAP STAMPED AA SURVEYING SERVICE, INC. BT REFERENCES: 1) 7" FIR WITH AA TAG DATED 1/84 S 51-3/4' E, 7.5' 2) 14.5" FIR WITH AA TAG DATED 1/84 S 42' W, 7.3' 3) 1" IRON PIPE SET BY BLM IN JAN. 1978 S 61-1/2' W, 1.05' FROM WHICH, 4) A 10.5" FIR WITH HEALED FACE TAG DATED 11/07 N 74-1/4' E, 10.9' TO NAIL 5) AN 11" FIR WITH HEALED FACE TAG DATED 11/07 S 0-1/4' E, 18.8' TO NAIL THE 2" ALUMINUM CAP WAS ACCEPTED AS THE E1/16 BECAUSE THE BLM SURVEY APPEARS TO LACK ADMINISTRATIVE APPROVAL
- (140908)** CENTER-EAST 1/16 CORNER SECTION 14 FOUND 2" ALUMINUM CAP ON 5/8" REBAR STAMPED AA SURVEYING SERVICE, INC. BT REFERENCES: 1) 18.5" ALDER WITH AA TAG DATED 01/84 N 60' W - 7.4'
- (140909)** CENTER 1/4 CORNER SECTION 14 FOUND 2" ALUMINUM CAP ON 5/8" REBAR STAMPED LS 2485 2000. BT REFERENCES: 1) 14" DIA. 5 FT. TALL STUMP N 38' E - 18.7' 2) 13" DIA. 5 FT. TALL STUMP WITH TAG DATED 07/00 S 09' E - 5.0' 3) 15" 20 FT. TALL SNAG WITH TAG DATED 07/00 S 84' W - 15.4'
- (140910)** 1/4 CORNER SECTIONS 11/14 FOUND 2-1/2" BRASS CAP ON 1" PIPE STAMPED COUNTY SURVEYORS OFFICE 1959 BT REFERENCES: 1) 12" FIR WITH HEALED FACE AND TAG DATED 09/04 N 46' E - 28.55' 2) 12.5" FIR WITH HEALED FACE AND TAG DATED 08/00 S 18' E - 30.6' 3) 13" FIR WITH VISIBLE SCRIBE AND TAG DATED 09/04 S 32' W - 44.7' TO NAIL
- (140930)** CENTER 1/4 CORNER SECTION 10 FOUND 5/8" REBAR WITH YELLOW CAP STAMPED I.E. ENG BT REFERENCES: 1) 30" FIR WITH HEALED FACE AND TAG DATED 02/01 N 54-1/2' E - 11.4' 2) 7" HEMLOCK WITH HEALED FACE AND TAG DATED 02/01 S 14' W - 115.7' TO NAIL IN SIDE CENTER
- (142752)** 1/4 CORNER COMMON TO SECTIONS 9/10 FOUND 3-1/4" BRASS CAP ON 2-1/2" PIPE STAMPED BLM 1968 BT REFERENCES: 1) 20" FIR WITH HEALED FACE AND TAG DATED 08/00 N 16' E - 52.4' TO NAIL IN SIDE CENTER 2) 35' 3 FT. TALL STUMP WITH HEALED "X" N 39'15" E - 11.2' 3) 17" HEMLOCK WITH HEALED FACE AND TAG DATED 6/68 S 79' W - 106.3' 4) 19" WHITE FIR WITH HEALED FACE AND COOS COUNTY TAG DATED 8/00 N 41' W - 40.4' TO NAIL IN SIDE CENTER
- (148107)** NORTHWEST CORNER SECTION 10 FOUND 2-1/2" BRASS CAP ON 1" PIPE STAMPED COOS COUNTY, DOUGLAS CO. SURVEYORS OFF. 1959 BT REFERENCES: 1) 31" HEMLOCK WITH HEALED FACE AND BLM TAG DATED 5/68 N 18' E - 23.1' 2) 24" FIR WITH HEALED FACE AND BLM TAG DATED 05/68 S 37-1/2' E - 49.5' 3) 55" STUMP 6 FT. TALL WITH TAG DATED 1998 S 25' E - 31.7' 4) 31" CEDAR WITH TAG DATED 1998 S 58' W - 17.2' 5) 19.5" HEMLOCK WITH VISIBLE SCRIBE AND TAG DATED 05/03/05 N 10-1/4' W - 42.9' TO NAIL IN SIDE CENTER
- (140935)** CENTER 1/4 CORNER SECTION 10 FOUND 5/8" REBAR WITH YELLOW CAP STAMPED I.E. ENG BT REFERENCES: 1) 30" FIR WITH HEALED FACE AND TAG DATED 02/01 N 54-1/2' E - 11.4' 2) 7" HEMLOCK WITH HEALED FACE AND TAG DATED 02/01 S 14' W - 115.7' TO NAIL IN SIDE CENTER

### BASIS OF BEARINGS NOTE:

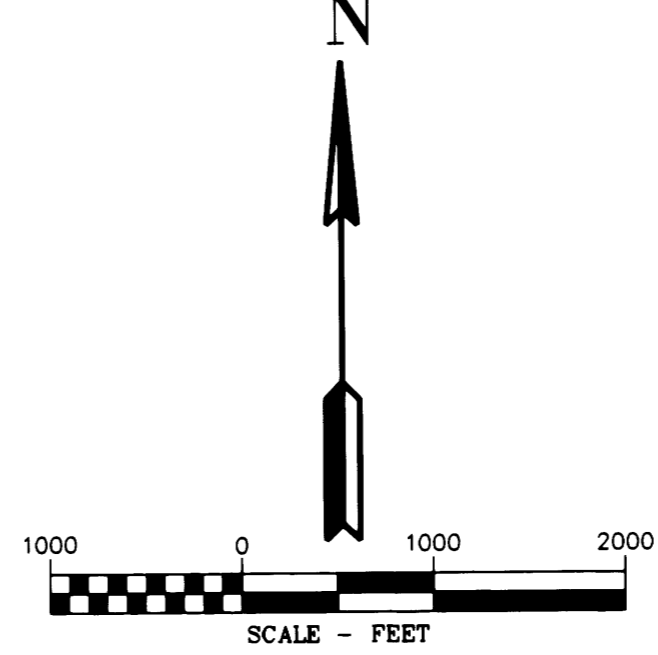
THE PROJECT DATUM IS BASED ON PREVIOUSLY ESTABLISHED PROJECT CONTROL. THE DATUM IS VERY CLOSE BUT NOT EXACTLY OREGON SOUTH ZONE 3602. THE PROJECT BEARINGS MATCH THE OREGON SOUTH ZONE 3602 BEARINGS.

### NOTE:

DISTANCES ARE IN US SURVEY FOOT. MEAN MERIDIAN CONVERGENCE ANGLE = -2'12"40"

### REFERENCE SURVEYS:

- BLM DEPENDENT RESURVEY NO. 7434 - AUGUST 18, 2010
- SURVEY NO. M136-62 - MARCH 16, 2001
- BLM ADMINISTRATIVE SURVEY NO. M81-12 - DATED NOV. 26, 1979
- SURVEY NO. M95-75 - JANUARY 1984
- BLM DEPENDENT RESURVEY NO. 7296 - OCT. 24, 2008
- BLM DEPENDENT RESURVEY NO. 7137 - OCT. 22, 2004
- BLM DEPENDENT RESURVEY NO. 5457 - MARCH 12, 1971
- BLM RETRACEMENT SURVEY NO. 7439 - SEPT. 27, 2010
- ORIGINAL GLO PLAT JULY 1856
- SURVEY NO. M135-53 - SEPT. 9, 2000
- BLM DEPENDENT RESURVEY NO. 5397 - JAN. 23, 1969



PACIFIC CONNECTOR GAS PIPELINE PROJECT  
PACIFIC CONNECTOR GAS PIPELINE, LP

RECORD OF SURVEY  
TOWNSHIP 29 SOUTH, RANGE 9 WEST, W.M.  
DOUGLAS COUNTY, OREGON

Pacific Connector GAS PIPELINE

DRAWN BY: LJS	DATE: 06-01-2015	ISSUED FOR BID:	SCALE: 1" = 1000'
CHECKED BY:	DATE:	ISSUED FOR CONSTRUCTION:	
APPROVED BY:	DATE:	DRAWING NUMBER:	SHEET 1 OF 3

# AMENDED RECORD OF SURVEY

(SURVEY M-166-18)  
 LOCATED IN THE  
 NE 1/4 OF SECTION 15  
 TOWNSHIP 29 SOUTH, RANGE 9 WEST, W.M.  
 DOUGLAS COUNTY, OREGON

DATE: 9-21-2015 BY: JLC  
 THIS SURVEY CONSISTS OF:  
 MAP: M166-43B-A-C  
 NARRATIVE: \_\_\_\_\_  
 CORNER RPT: \_\_\_\_\_

DOUGLAS COUNTY  
 SURVEYOR

REVISED - SEE M171-16

### CORNER NOTES:

**(142788)**  
 1/4 CORNER COMMON TO SECTIONS 14/15  
 FOUND 2" BRASS CAP  
 STAMPED COUNTY SURVEYOR'S OFFICE 1974  
 BY REFERENCES:  
 1) 11-1/2" FIR WITH HEALED FACE  
 AND ROSEBURG RESOURCES TAG DATED 9/04  
 N 2-1/2" E - 35.2' TO NAIL IN SIDE CENTER  
 2) 19.5" FIR WITH HEALED FACE  
 AND ROSEBURG RESOURCES TAG DATED 9/04  
 S 54" E - 33.7' TO NAIL IN SIDE CENTER  
 3) 30" DIA. 22 FT. TALL SNAG WITH HEALED FACE  
 AND BLM TAG DATED 9/59  
 S 3-1/2" E - 30.6'  
 4) 11.5" FIR WITH HEALED FACE  
 AND ROSEBURG RESOURCES TAG DATED 9/04  
 S 80-1/2" W - 48.2' TO NAIL IN SIDE CENTER  
 5) 28" FIR WITH HEALED FACE  
 AND ROSEBURG RESOURCES TAG DATED 9/04  
 N 63-1/2" W - 44.2' TO NAIL IN SIDE CENTER

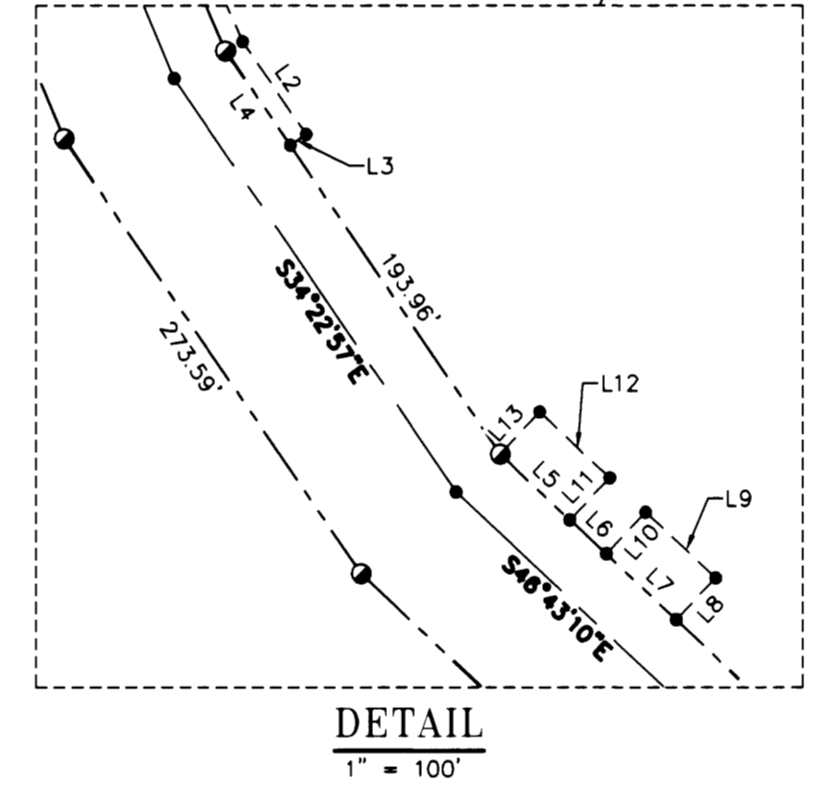
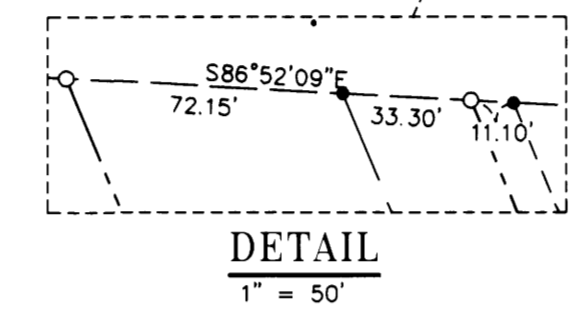
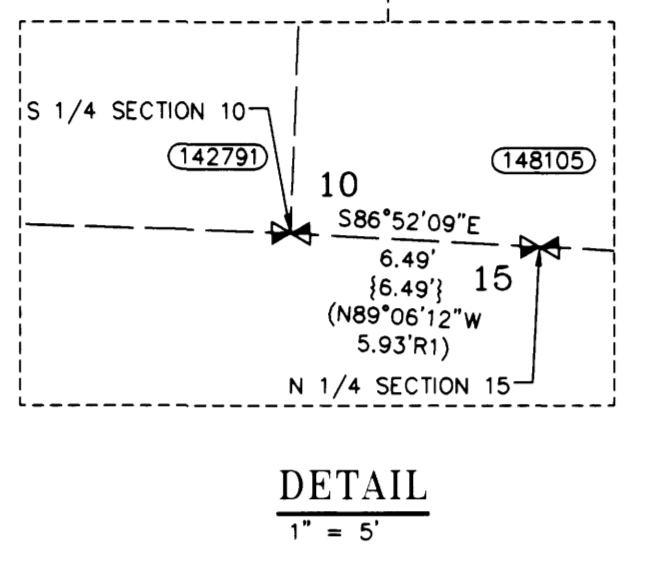
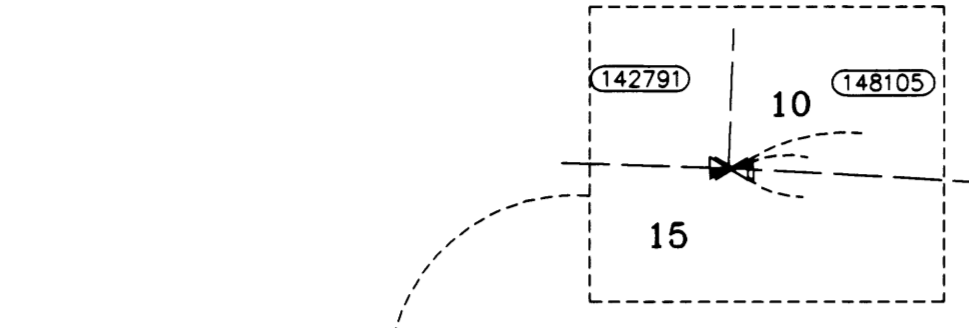
**(142791)**  
 SOUTH 1/4 CORNER SECTION 10  
 FOUND 2-1/2" BRASS CAP  
 STAMPED COUNTY SURVEYOR'S OFFICE 1959  
 BY REFERENCES:  
 1) 13" WHITE FIR WITH HEALED FACE  
 WITH TAG DATED 01/01  
 N 55" E - 9.1' TO NAIL IN SIDE CENTER

**(148083)**  
 NORTHEAST CORNER SECTION 15  
 FOUND 2-1/2" BRASS CAP  
 STAMPED COUNTY SURVEYOR 1959  
 STAMPED BLM 1966  
 BY REFERENCES:  
 1) 47" FIR WITH HEALED FACE  
 AND ROSEBURG RESOURCES TAG DATED 09-04  
 N 08" E - 33.8' TO NAIL IN SIDE CENTER  
 2) 23-1/2" FIR WITH HEALED FACE  
 AND ROSEBURG RESOURCES TAG DATED 9/04  
 N 50" E - 11.8' TO NAIL IN SIDE CENTER  
 3) 37" FIR WITH HEALED FACE  
 AND ROSEBURG RESOURCES TAG DATED 9/04  
 S 44-1/2" E - 21.1' TO NAIL IN SIDE CENTER  
 4) 16" FIR WITH HEALED FACE  
 AND ROSEBURG RESOURCES TAG DATED 09/04  
 S 36-1/2" W - 3.5' TO NAIL IN SIDE CENTER  
 5) 12" FIR WITH HEALED FACE  
 AND ROSEBURG RESOURCES TAG DATED 09-04  
 N 55" W - 14.8' TO NAIL IN SIDE CENTER

**(148100)**  
 NORTH 1/4 CORNER SECTION 15  
 FOUND 3-1/4" ALUMINUM CAP  
 STAMPED BLM 2005  
 BY REFERENCES:  
 1) 13" HEMLOCK WITH VISIBLE SCRIBE  
 AND BLM TAG DATED 09/05  
 S 58-1/4" E - 5.0' TO NAIL IN SIDE CENTER  
 2) 7" HEMLOCK WITH VISIBLE SCRIBE  
 AND BLM TAG DATED 09/05  
 S 27 1/2" W - 6.7' TO NAIL IN SIDE CENTER

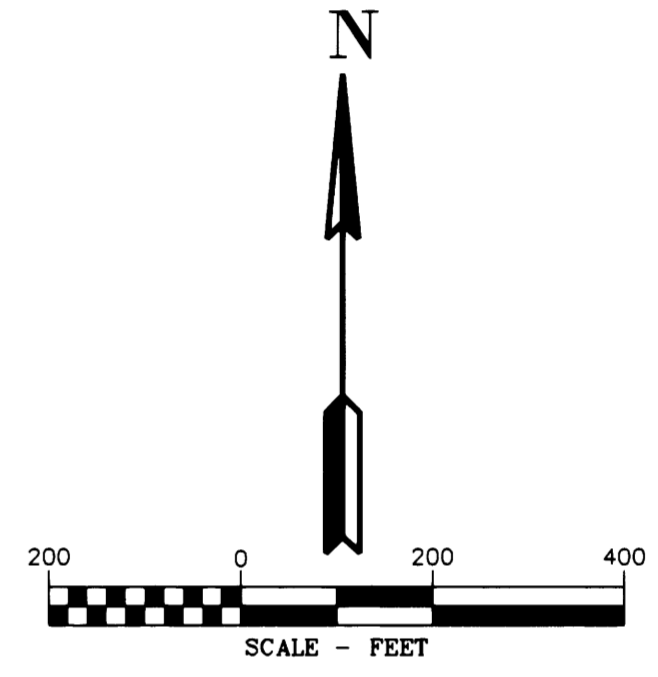
### LEGEND

- 5/8" x 24" REBAR WITH 1 1/4" YELLOW PLASTIC CAP FROM SURVEY M166-18 VERIFIED OR RESET THIS AMENDED SURVEY. (KLEIN & ASSOC. PLS 59002)
- SET 5/8" x 24" REBAR WITH 1 1/4" YELLOW PLASTIC CAP SURVEY M166-18 VERIFIED OR RESET THIS AMENDED SURVEY. (KITZ 1853LS)
- ⊙ FOUND MONUMENT AS NOTED (SEE CORNER NOTES)
- COMPUTED POINT, NOT MONUMENTED
- ⊠ FOUND QUARTER CORNER SEE CORNER NOTES
- ⊠ FOUND SECTION CORNER SEE CORNER NOTES
- ⊠ QUARTER CORNER FOR REFERENCE ONLY
- ⊠ SECTION CORNER FOR REFERENCE ONLY
- ⊠ POINT NUMBER
- {xxx.xx'} GROUND DISTANCE
- {xxx.xx'} RECORD DISTANCE PER REFERENCED SURVEY
- R1 REFERENCED SURVEY
- PROPOSED ALIGNMENT
- - - - - TEMPORARY CONSTRUCTION EASEMENT
- - - - - TEMPORARY WORK AREA



AREA SECTION 15

TEMPORARY CONSTRUCTION EASEMENT	3.15 ACRES
TEMPORARY WORK AREA	0.25 ACRES



### LINE TABLE

Line #	Direction	Length
L1	S22°35'59"E	719.34'
L2	S34°22'57"E	58.53'
L3	S55°37'03"W	10.00'
L4	S34°22'57"E	59.56'
L5	S46°43'10"E	49.99'
L6	S46°43'10"E	25.83'
L7	S46°43'10"E	50.03'
L8	S43°16'50"W	30.00'
L9	S46°43'10"E	50.03'
L10	N43°16'50"E	30.00'
L11	S43°16'50"W	30.00'
L12	S46°43'10"E	49.99'
L13	N43°16'50"E	30.00'

### REFERENCE SURVEYS:

- 1) BLM DEPENDENT RESURVEY NO. 7434 - AUGUST 18, 2010
- 2) SURVEY NO. M136-62 - MARCH 16, 2001
- 3) BLM ADMINISTRATIVE SURVEY NO. M81-12 - DATED NOV. 26, 1979
- 4) SURVEY NO. M95-75 - JANUARY 1984
- 5) BLM DEPENDENT RESURVEY NO. 7296 - OCT. 24, 2008
- 6) BLM DEPENDENT RESURVEY NO. 7137 - OCT. 22, 2004
- 7) BLM DEPENDENT RESURVEY NO. 5457 - MARCH 12, 1971
- 8) BLM RETRACEMENT SURVEY NO. 7439 - SEPT. 27, 2010
- 9) ORIGINAL GLO PLAT JULY 1856
- 10) SURVEY NO. M135-53 - SEPT. 9, 2000
- 11) BLM DEPENDENT RESURVEY NO. 5397 - JAN. 23, 1969

REGISTERED PROFESSIONAL LAND SURVEYOR  
 Douglas A. Popham  
 OREGON  
 JULY 14, 1968  
 DOUGLAS A. POPHAM  
 2877  
 Expires 12-31-2016

CERTIFIED FEDERAL SURVEYOR  
 1245  
 Expires June 5, 2017

REGISTERED PROFESSIONAL LAND SURVEYOR  
 Richard R. Metz  
 OREGON  
 JULY 13, 1979  
 RICHARD R. METZ  
 1853  
 Expires 6-30-2017

REGISTERED PROFESSIONAL LAND SURVEYOR  
 James M. Klein  
 OREGON  
 JULY 12, 2009  
 JAMES M. KLEIN  
 69002  
 Expires 6-30-2017

Primm Land Surveying, Inc.  
 1340 NE 4th Street, Hermiston, OR 97838  
 TEL (541) 564-7887 FAX (541) 567-8020

EASTSIDE CONSULTANTS, INC.  
 ENGINEERING • SURVEYING • PLANNING

Klein & Associates, Inc.  
 ENGINEERING • SURVEYING • PLANNING  
 1411 13th Street • Hood River, OR 97031  
 TEL: 541-386-3222 • FAX: 541-386-2616

PACIFIC CONNECTOR GAS PIPELINE PROJECT  
 PACIFIC CONNECTOR GAS PIPELINE, LP  
 SECTION 15  
 RECORD OF SURVEY  
 TOWNSHIP 29 SOUTH, RANGE 9 WEST, W.M.  
 DOUGLAS COUNTY, OREGON

Pacific Connector GAS PIPELINE

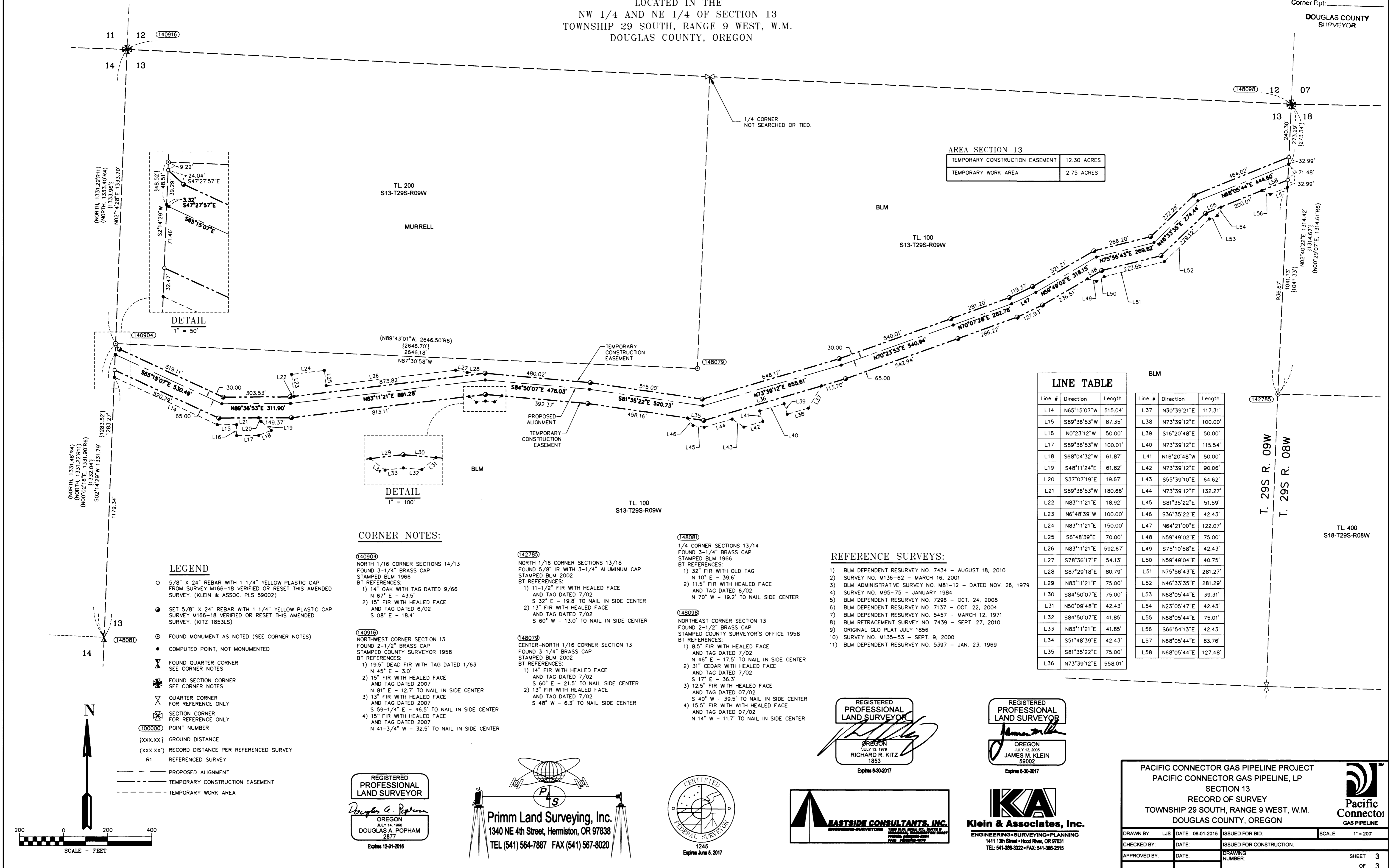
DRAWN BY: LJS	DATE: 06-01-2015	ISSUED FOR BID:	SCALE: 1" = 200'
CHECKED BY:	DATE:	ISSUED FOR CONSTRUCTION:	
APPROVED BY:	DATE:	DRAWING NUMBER:	SHEET 2 OF 3

# AMENDED RECORD OF SURVEY

(SURVEY M-166-18)  
LOCATED IN THE  
NW 1/4 AND NE 1/4 OF SECTION 13  
TOWNSHIP 29 SOUTH, RANGE 9 WEST, W.M.  
DOUGLAS COUNTY, OREGON

FILED  
Date: 9-21-2015  
This survey consists of:  
Map: M166-43C  
Narrative:  
Corner Pp:

DOUGLAS COUNTY  
SURVEYOR



AREA SECTION 13

TEMPORARY CONSTRUCTION EASEMENT	12.30 ACRES
TEMPORARY WORK AREA	2.75 ACRES

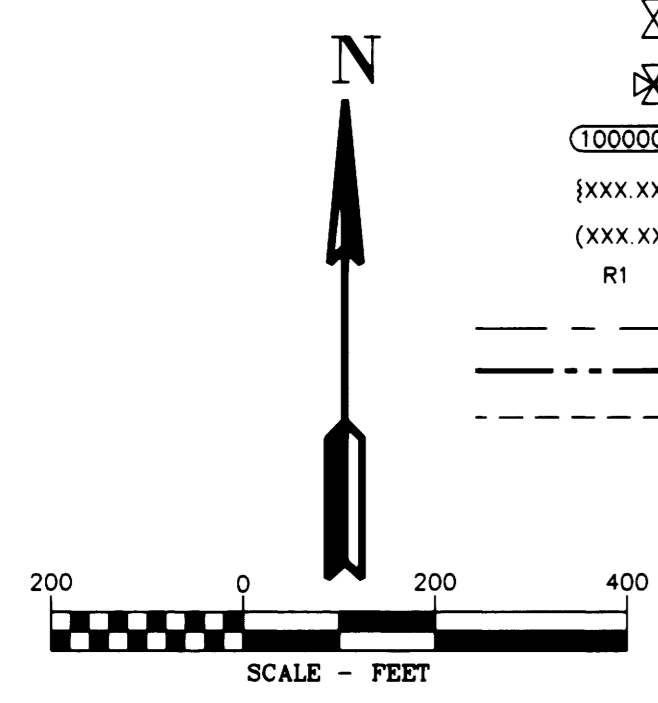
LINE TABLE

Line #	Direction	Length	Line #	Direction	Length
L14	N65°15'07"W	515.04'	L37	N30°39'21"E	117.31'
L15	S89°36'53"W	87.35'	L38	N73°39'12"E	100.00'
L16	N0°23'12"W	50.00'	L39	S16°20'48"E	50.00'
L17	S89°36'53"W	100.01'	L40	N73°39'12"E	115.54'
L18	S68°04'32"W	61.87'	L41	N16°20'48"W	50.00'
L19	S48°11'24"E	61.82'	L42	N73°39'12"E	90.06'
L20	S37°07'19"E	19.67'	L43	S55°39'10"E	64.62'
L21	S89°36'53"W	180.66'	L44	N73°39'12"E	132.27'
L22	N83°11'21"E	18.92'	L45	S81°35'22"E	51.59'
L23	N6°48'39"W	100.00'	L46	S36°35'22"E	42.43'
L24	N83°11'21"E	150.00'	L47	N64°21'00"E	122.07'
L25	S6°48'39"E	70.00'	L48	N59°49'02"E	75.00'
L26	N83°11'21"E	592.67'	L49	S75°10'58"E	42.43'
L27	S78°36'17"E	54.13'	L50	N59°49'04"E	40.75'
L28	S87°29'18"E	80.79'	L51	N75°56'43"E	281.27'
L29	N83°11'21"E	75.00'	L52	N46°33'35"E	281.29'
L30	S84°50'07"E	75.00'	L53	N68°05'44"E	39.31'
L31	N50°09'48"E	42.43'	L54	N23°05'47"E	42.43'
L32	S84°50'07"E	41.85'	L55	N68°05'44"E	75.01'
L33	N83°11'21"E	41.85'	L56	S66°54'13"E	42.43'
L34	S51°48'39"E	42.43'	L57	N68°05'44"E	83.76'
L35	S81°35'22"E	75.00'	L58	N68°05'44"E	127.48'
L36	N73°39'12"E	558.01'			

- LEGEND**
- 5/8" x 24" REBAR WITH 1 1/4" YELLOW PLASTIC CAP FROM SURVEY M166-18 VERIFIED OR RESET THIS AMENDED SURVEY. (KLEIN & ASSOC. PLS 59002)
  - SET 5/8" x 24" REBAR WITH 1 1/4" YELLOW PLASTIC CAP SURVEY M166-18 VERIFIED OR RESET THIS AMENDED SURVEY. (KITZ 1853LS)
  - ⊙ FOUND MONUMENT AS NOTED (SEE CORNER NOTES)
  - COMPUTED POINT, NOT MONUMENTED
  - ⊠ FOUND QUARTER CORNER SEE CORNER NOTES
  - ⊡ FOUND SECTION CORNER SEE CORNER NOTES
  - ⊞ QUARTER CORNER FOR REFERENCE ONLY
  - ⊞ SECTION CORNER FOR REFERENCE ONLY
  - ① POINT NUMBER
  - {XXX.XX'} GROUND DISTANCE
  - {XXX.XX'} RECORD DISTANCE PER REFERENCED SURVEY
  - R1 REFERENCED SURVEY
  - PROPOSED ALIGNMENT
  - - - - - TEMPORARY CONSTRUCTION EASEMENT
  - TEMPORARY WORK AREA

- CORNER NOTES:**
- (140904)  
NORTH 1/16 CORNER SECTIONS 14/13  
FOUND 3-1/4" BRASS CAP  
STAMPED BLM 1966  
BT REFERENCES:  
1) 14" OAK WITH TAG DATED 9/66  
N 67° E - 43.5'  
2) 15" FIR WITH HEALED FACE  
AND TAG DATED 6/02  
S 08° E - 18.4'
- (142785)  
NORTH 1/16 CORNER SECTIONS 13/18  
FOUND 5/8" IR WITH 3-1/4" ALUMINUM CAP  
STAMPED BLM 2002  
BT REFERENCES:  
1) 11-1/2" FIR WITH HEALED FACE  
AND TAG DATED 7/02  
S 32° E - 19.8' TO NAIL IN SIDE CENTER  
2) 13" FIR WITH HEALED FACE  
AND TAG DATED 7/02  
S 60° W - 13.0' TO NAIL IN SIDE CENTER
- (148079)  
CENTER-NORTH 1/16 CORNER SECTION 13  
FOUND 3-1/4" BRASS CAP  
STAMPED BLM 2002  
BT REFERENCES:  
1) 14" FIR WITH HEALED FACE  
AND TAG DATED 7/02  
S 60° E - 21.5' TO NAIL IN SIDE CENTER  
2) 13" FIR WITH HEALED FACE  
AND TAG DATED 7/02  
S 48° W - 6.3' TO NAIL IN SIDE CENTER
- (148098)  
NORTHEAST CORNER SECTION 13  
FOUND 2-1/2" BRASS CAP  
STAMPED COUNTY SURVEYOR'S OFFICE 1958  
BT REFERENCES:  
1) 8.5" FIR WITH HEALED FACE  
AND TAG DATED 7/02  
N 46° E - 17.5' TO NAIL IN SIDE CENTER  
2) 31" CEDAR WITH HEALED FACE  
AND TAG DATED 7/02  
S 17° E - 36.3'  
3) 12.5" FIR WITH HEALED FACE  
AND TAG DATED 07/02  
S 40° W - 39.5' TO NAIL IN SIDE CENTER  
4) 15.5" FIR WITH HEALED FACE  
AND TAG DATED 07/02  
N 14° W - 11.7' TO NAIL IN SIDE CENTER

- REFERENCE SURVEYS:**
- BLM DEPENDENT RESURVEY NO. 7434 - AUGUST 18, 2010
  - SURVEY NO. M136-62 - MARCH 16, 2001
  - BLM ADMINISTRATIVE SURVEY NO. M81-12 - DATED NOV. 26, 1979
  - SURVEY NO. M95-75 - JANUARY 1984
  - BLM DEPENDENT RESURVEY NO. 7296 - OCT. 24, 2008
  - BLM DEPENDENT RESURVEY NO. 7137 - OCT. 22, 2004
  - BLM RETRACEMENT SURVEY NO. 7439 - SEPT. 27, 2010
  - ORIGINAL GLO PLAT, JULY 1856
  - SURVEY NO. M135-53 - SEPT. 9, 2000
  - BLM DEPENDENT RESURVEY NO. 5397 - JAN. 23, 1969



REGISTERED PROFESSIONAL LAND SURVEYOR  
Douglas A. Popham  
OREGON  
JULY 14, 1988  
DOUGLAS A. POPHAM  
2877  
Expires June 5, 2017

Primm Land Surveying, Inc.  
1340 NE 4th Street, Hermiston, OR 97838  
TEL (541) 564-7887 FAX (541) 567-8020

CERTIFIED FEDERAL SURVEYOR  
1245  
Expires June 5, 2017

REGISTERED PROFESSIONAL LAND SURVEYOR  
OREGON  
JULY 13, 1979  
RICHARD R. KITZ  
1853  
Expires 6-30-2017

REGISTERED PROFESSIONAL LAND SURVEYOR  
OREGON  
JULY 12, 2009  
JAMES M. KLEIN  
59002  
Expires 6-30-2017

EASTSIDE CONSULTANTS, INC.  
ENGINEERING SURVEYING PLANNING  
1411 13th Street - Hood River, OR 97031  
TEL: 541-388-3322 FAX: 541-388-2515

Klein & Associates, Inc.  
ENGINEERING SURVEYING PLANNING  
1411 13th Street - Hood River, OR 97031  
TEL: 541-388-3322 FAX: 541-388-2515

PACIFIC CONNECTOR GAS PIPELINE PROJECT  
PACIFIC CONNECTOR GAS PIPELINE, LP  
SECTION 13  
RECORD OF SURVEY  
TOWNSHIP 29 SOUTH, RANGE 9 WEST, W.M.  
DOUGLAS COUNTY, OREGON

DRAWN BY: LJS DATE: 06-01-2015 ISSUED FOR BID: SCALE: 1" = 200'

CHECKED BY: DATE: ISSUED FOR CONSTRUCTION:

APPROVED BY: DATE: DRAWING NUMBER: SHEET 3 OF 3