

# RECORD OF BOUNDARY SURVEY

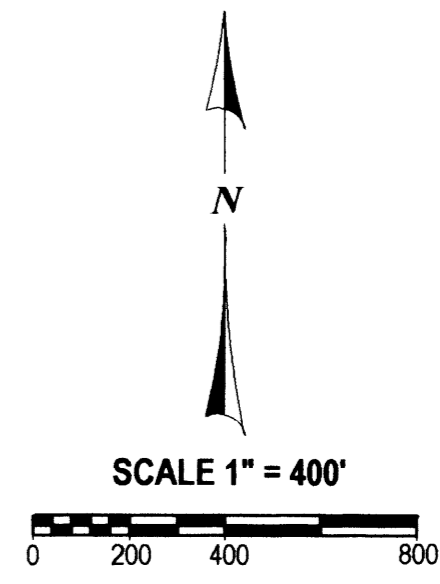
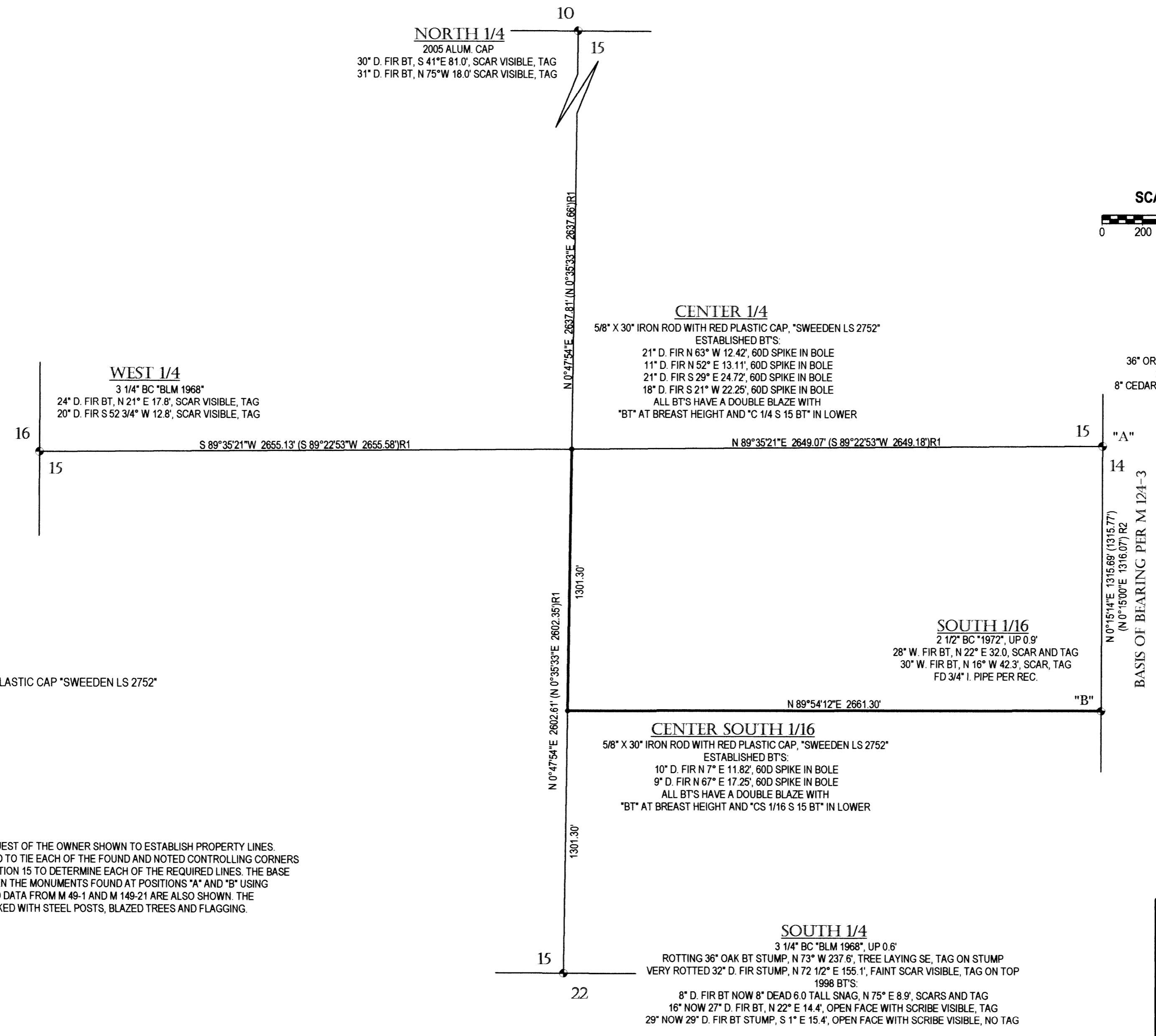
## IN SECTION 15, TOWNSHIP 25 SOUTH, RANGE 7 WEST, W.M.

### DOUGLAS COUNTY, OREGON - APRIL 2013

FILED  
 Date: 4/26/2013 By: NW  
 This survey consists of:  
 Map: M 165-11  
 Narrative: \_\_\_\_\_  
 Corner Rpt: \_\_\_\_\_

DOUGLAS COUNTY  
 SURVEYOR

MAP FILE M 165-11



REGISTERED  
 PROFESSIONAL  
 LAND SURVEYOR  
  
 OREGON  
 CARL A. SWEEDEN  
 2752  
 JANUARY 16, 1996  
 EXPIRES 6-30-14

**SURVEY FOR:**  
 TYEE MOUNTAIN TREE FARM LLC  
 S. JOE HENRY  
 1827 TYEE ROAD  
 UMPQUA, OREGON 97486

**Sweeden Land Surveying**  
 Carl A. Sweeden  
 P.L.S.  
 Conventional & Global Positioning  
 Surveying Systems  
 558 S. E. Jackson St., Roseburg, OR 97470  
 Tel. 541-672-8344, Fax 541-672-1787

MAP FILE M 165-11