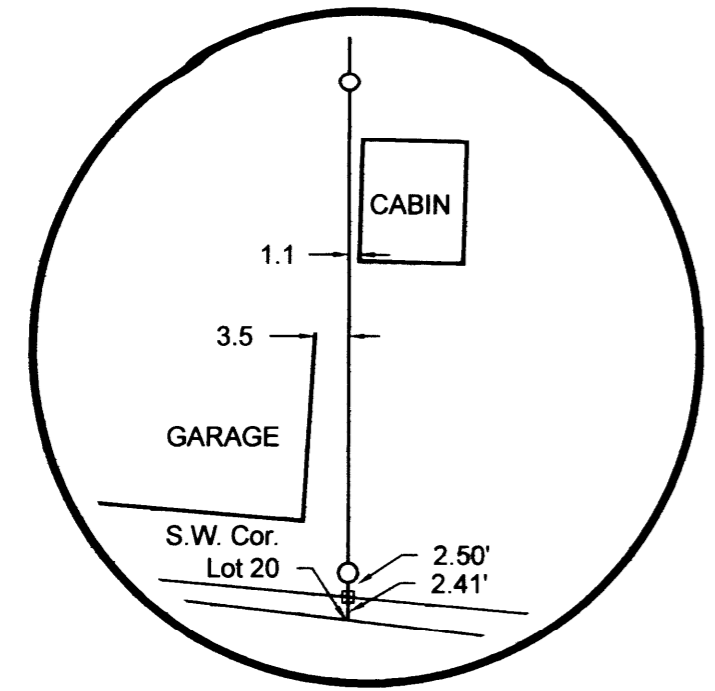


FILED  
 Date: 3-22-2012 By: JC  
 This survey consists of:  
 Map: M163-37  
 Narrative:  
 Corner Rpt:

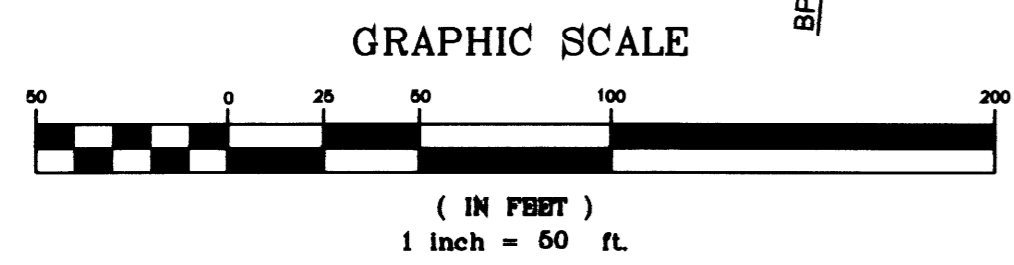
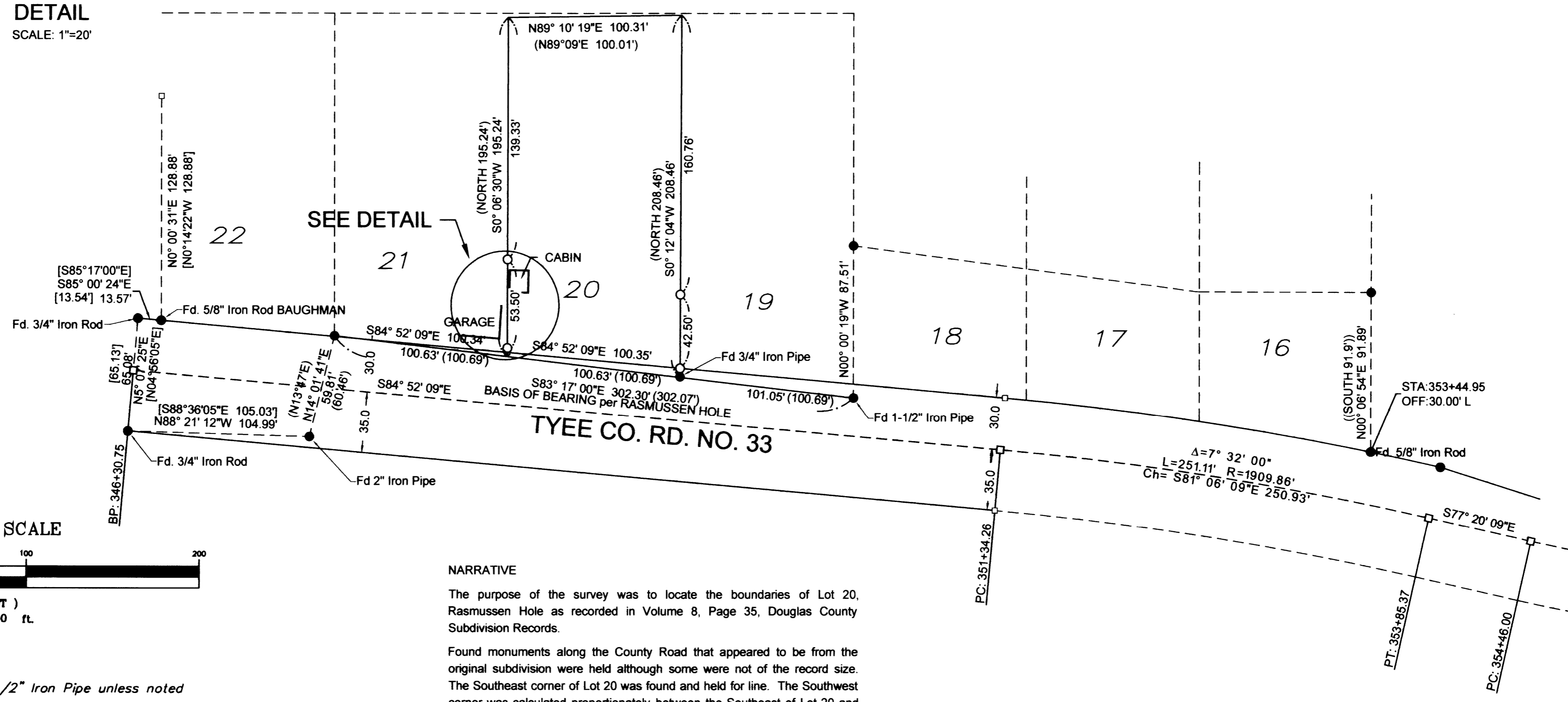
DOUGLAS COUNTY  
 SURVEYOR

MAP FILE M163-37



DETAIL  
 SCALE: 1"=20'

UMPQUA RIVER



- LEGEND:
- Found 1/2" Iron Pipe unless noted
  - Set 5/8" x 30" Iron Rod w/ Yellow Plastic Cap marked "LANDMARK PLS 2287"
  - Calculated Point
- RECORD INFORMATION:
- ( ) RASMUSSEN HOLE (Vol. 8, Pg. 35)
  - [ ] M 112-43
  - (( )) CS54/75

NARRATIVE

The purpose of the survey was to locate the boundaries of Lot 20, Rasmussen Hole as recorded in Volume 8, Page 35, Douglas County Subdivision Records.

Found monuments along the County Road that appeared to be from the original subdivision were held although some were not of the record size. The Southeast corner of Lot 20 was found and held for line. The Southwest corner was calculated proportionately between the Southeast of Lot 20 and the Southwest of Lot 21. The Right of Way of County Road was calculated holding found County Road Department monuments and the Southeast and Southwest corners were set on the Northerly Right of Way line.

The found 1/2 inch iron pipe on the West boundary of Lot 18 has held to establish line and record calls per M112-43 were used to establish the West boundary of Lot 22. The East and West lines of Lot 20 were computed proportionately and corners set on the high bank of the Umpqua River.

Instrument, Trimble 5600 Robotic Total Station. Field Measurement: Barton Heichel. Computations/Drafting: Mark Heimburger

Sheet 1 of 1

<b>Boundary Survey</b> In the NE 1/4, Section 16 Township 25 South, Range 07 West, W.M. Douglas County, Oregon March 21, 2012	
REGISTERED PROFESSIONAL LAND SURVEYOR <i>Mark A. Heimburger</i> OREGON JULY 16, 1987 MARK A. HEIMBURGER 2287	James (Spike) Bruggeman Jr. P.O. Box 660 Brookings, Oregon 97415  •3317 N.E. Stephens St. •Roseburg, Oregon 97470 •Office (541) 677-9400 •Fax (541) 677-9401 RENEWS JUNE 30, 2013 LM Proj No 2012-006

MAP FILE M163-37