

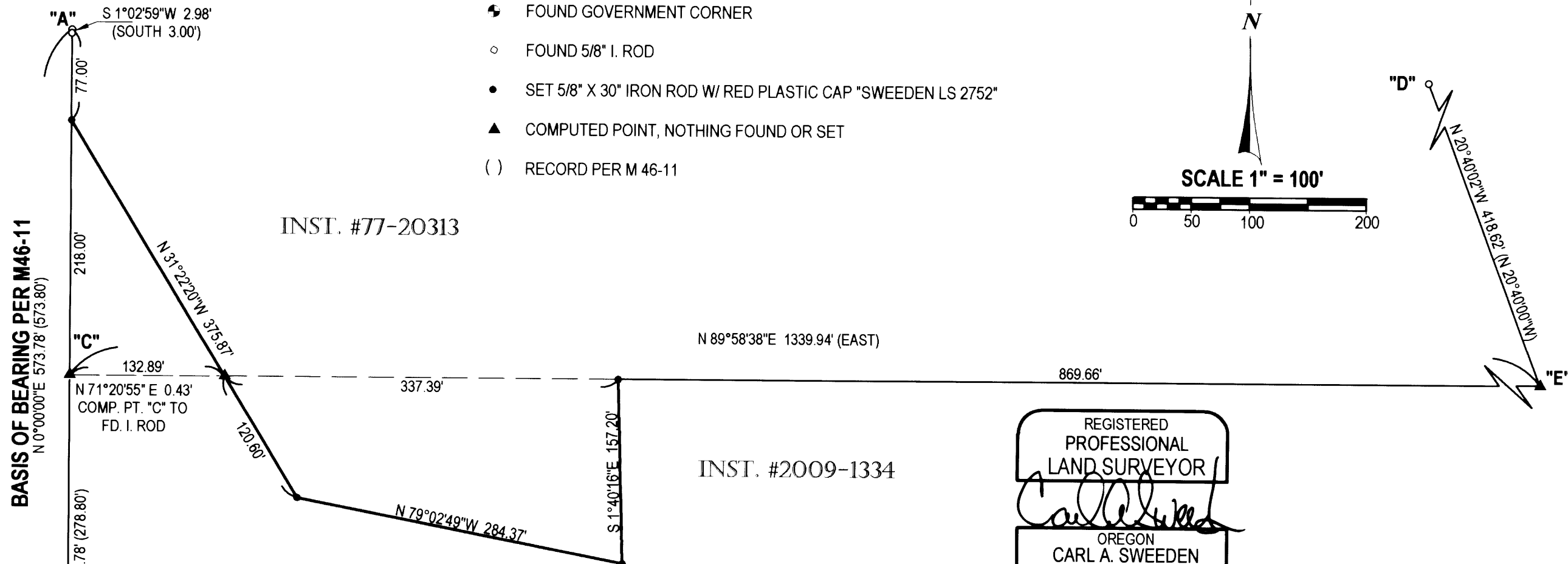
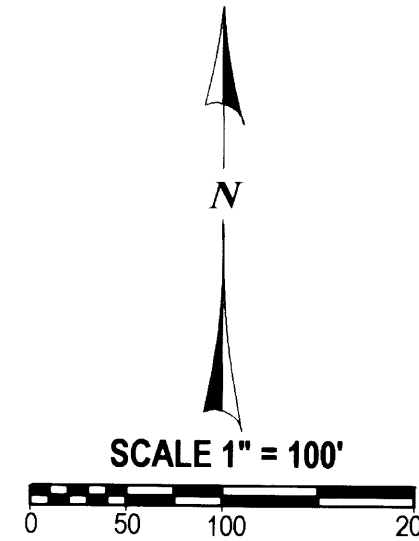
# RECORD OF SURVEY

IN THE NW 1/4, SECTION 3, T. 25 S., R. 5 W., W. M.  
DOUGLAS COUNTY, OREGON - AUGUST 2009

FILED  
Date: 8-18-2009 By: JC  
This survey consists of:  
Map: M159-64  
Narrative: \_\_\_\_\_  
Corner Rpt: \_\_\_\_\_  
DOUGLAS COUNTY  
SURVEYOR

**LEGEND:**

- ◆ FOUND GOVERNMENT CORNER
- FOUND 5/8" I. ROD
- SET 5/8" X 30" IRON ROD W/ RED PLASTIC CAP "SWEEDEN LS 2752"
- ▲ COMPUTED POINT, NOTHING FOUND OR SET
- ( ) RECORD PER M 46-11



**NARRATIVE:**

THIS SURVEY WAS COMPLETED AT THE REQUEST OF THE OWNER SHOWN TO ESTABLISH THAT LAND AS DESCRIBED IN INSTRUMENT #2009-014331, DOUGLAS COUNTY, OREGON DEEDS AND RECORDS. A SEARCH AT THE PROPERTY FOR MONUMENTED CORNERS PER M 46-11 WAS COMPLETED AND THE MONUMENTS TIED BY SURVEY. COMPUTED POINT "C" WAS ESTABLISHED ON THE LINE "A" TO "B" AT RECORD DISTANCE FROM POINT "A" AND POINT "E" WAS COMPUTED BY DISTANCE / DISTANCE INTERSECTION HOLDING POINT "C" AND POINT "D" AND USING THE RECORD DISTANCES FROM M 46-11. THE POSITION OF COMPUTED POINT "E" FALLS IN A SMALL ACTIVE STREAM. A SEARCH WAS COMPLETED TO LOCATE ANY MONUMENT AT THAT POSITION BUT NONE WAS FOUND. THE MONUMENTS SET ARE POSITIONED PER SAID INSTRUMENT.

EQUIPMENT USED: TRIMBLE S-6 W/ SUPPORT  
FIELD CREW: C. SWEEDEN  
MAPPING AND CALC'S: C. SWEEDEN

REGISTERED  
PROFESSIONAL  
LAND SURVEYOR  
*Carl A. Sweeden*  
OREGON  
CARL A. SWEEDEN  
2752  
JANUARY 16, 1996  
EXPIRES 6-30-10

**SURVEY FOR:**  
DON WHITAKER  
P. O. BOX 40  
ROSEBURG, OREGON 97470

**Sweeden Land Surveying**  
Carl A. Sweeden  
P.L.S.  
Conventional & Global Positioning  
Surveying Systems  
558 S. E. Jackson St., Roseburg, OR. 97470  
Tel. 541-672-8344, Fax 541-672-1787

MAP FILE M159-64

MAP FILE M159-64