

MAP FILE M156-66

FILED
Date: 9-12-2008 By: NW
This survey consists of:
Map: M156-66
Narrative:
Corner Rpt:

DOUGLAS COUNTY
SURVEYOR



- LEGEND**
- FOUND BRASS CAP
 - FOUND 1/2" IRON PIPE
 - FOUND 5/8" IRON ROD UNLESS OTHERWISE NOTED
 - SET 5/8"x30" IRON ROD w/CAP STAMPED "HIBBS-LS 52989"
 - △ CALCULATED POSITION
 - () RECORD PER **KENDALL HEIGHTS SUBDIVISION**, AS RECORDED IN VOL. 16, PG. 21 OF THE PLAT RECORDS OF DOUGLAS COUNTY

FIELD CREW: NEIL & ERIC HIBBS & SCOTT THOMPSON
EQUIPMENT: NIKON DTM-522 TOTAL STATION
OFFICE: NEIL HIBBS

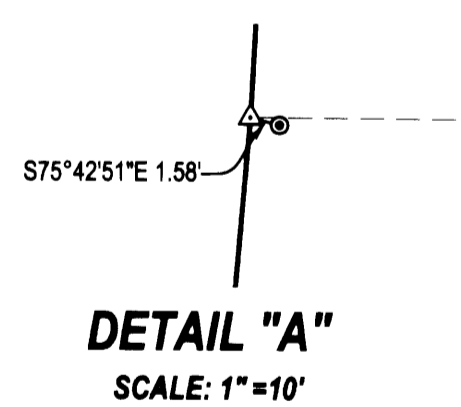
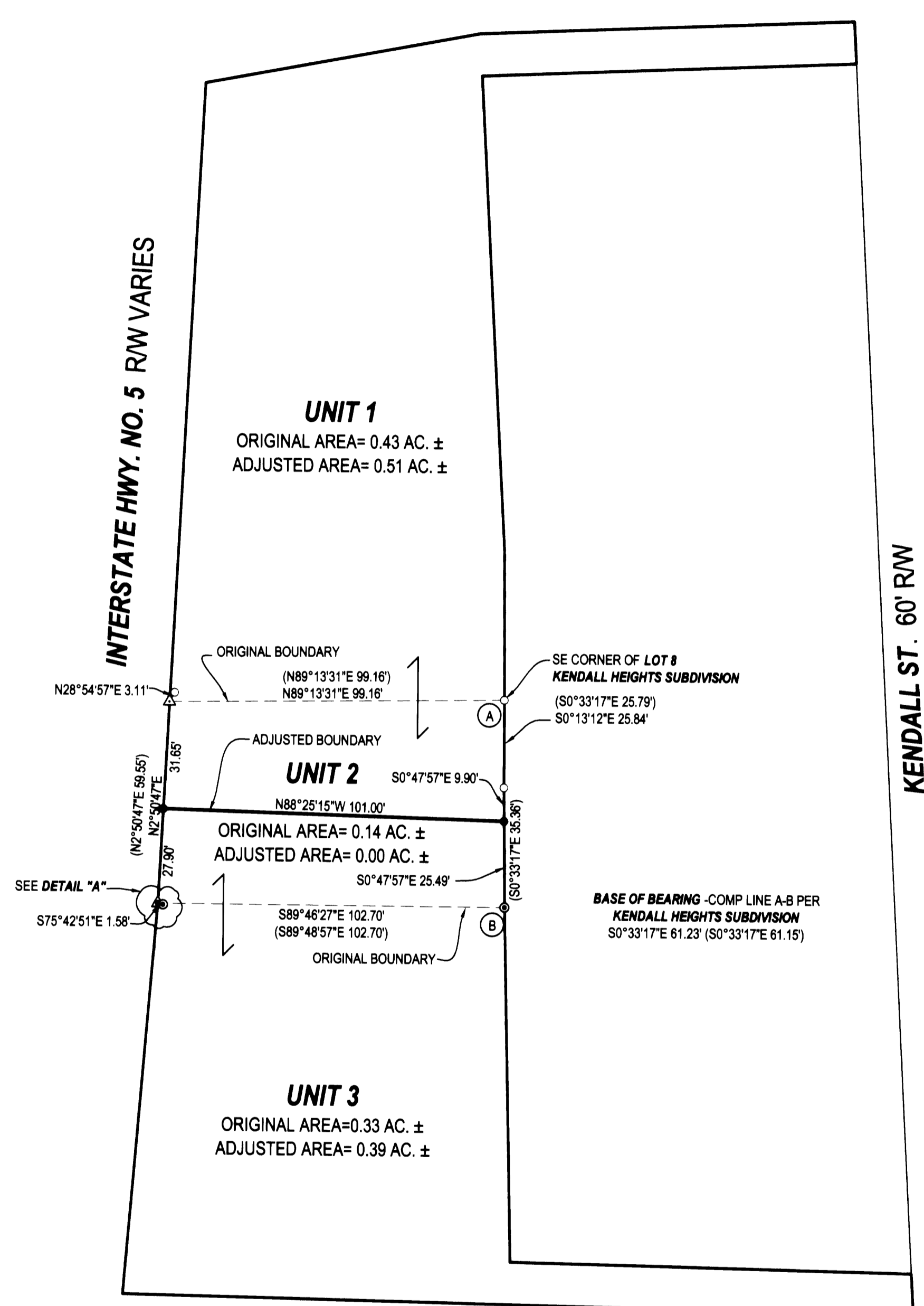
NARRATIVE:
THE PURPOSE OF THIS SURVEY WAS TO ADJUST THE BOUNDARIES OF THE SUBJECT PROPERTIES AS SHOWN. FOUND MONUMENTS ON EASTERN BOUNDARY WERE HELD BUT MONUMENTS ALONG INTERSTATE 5 SEEM TO HAVE MOVED WITH THE FILL OVER TIME. THE PERIMETER WAS CREATED RECORD, CLOCKWISE, FROM THE SOUTHEAST CORNER OF **LOT 8, KENDALL HEIGHTS SUBDIVISION**. PERIMETER CORNERS ALONG INTERSTATE 5 WERE HELD TO COMPUTED RECORD POSITIONS. THE OWNERS HAD AGREED TO A COMMON BOUNDARY. PINS WERE SET ON THE AGREED UPON LINE,

DEED TRANSFERING PORTION OF UNIT 2 TO UNIT 1 RECORDED AS INST. NO. 2008-011915

COVENENT FILED AS INST NO. 2008-015662

APPROVAL:

Keith L. Cubic 9/12/08
DOUGLAS COUNTY PLANNING DIRECTOR DATE



PLANNING DEPT. FILE NO. 09-M025

BOUNDARY LINE ADJUSTMENT

LYING IN THE SW 1/4 OF SEC. 24, T27S, R6W,
WILLAMETTE MERIDIAN, DOUGLAS COUNTY, OREGON

CLIENT:
DWAYNE AND DIANA VARNER
1634 KENDALL ST.
ROSEBURG, OREGON 97470

SURVEYOR:
NEIL HIBBS
LAND SURVEYING, INC.
4739 LOOKINGGLASS ROAD
ROSEBURG, OREGON 97470
phone (541) 957-9303
fax (541) 957-9306
email: neilh@wilblue.net

REGISTERED
PROFESSIONAL
LAND SURVEYOR

J. Neil Hibbs
OREGON
JANUARY 12 1999
F. NEIL HIBBS
52989

EXPIRATION DATE
6/30/2009

DWG. SCALE: 1" = 30' JOB #: 0862-01 DWG. BY: FLB PAGE: 1 OF 1 DATE: AUGUST 2008

MAP FILE M156-66