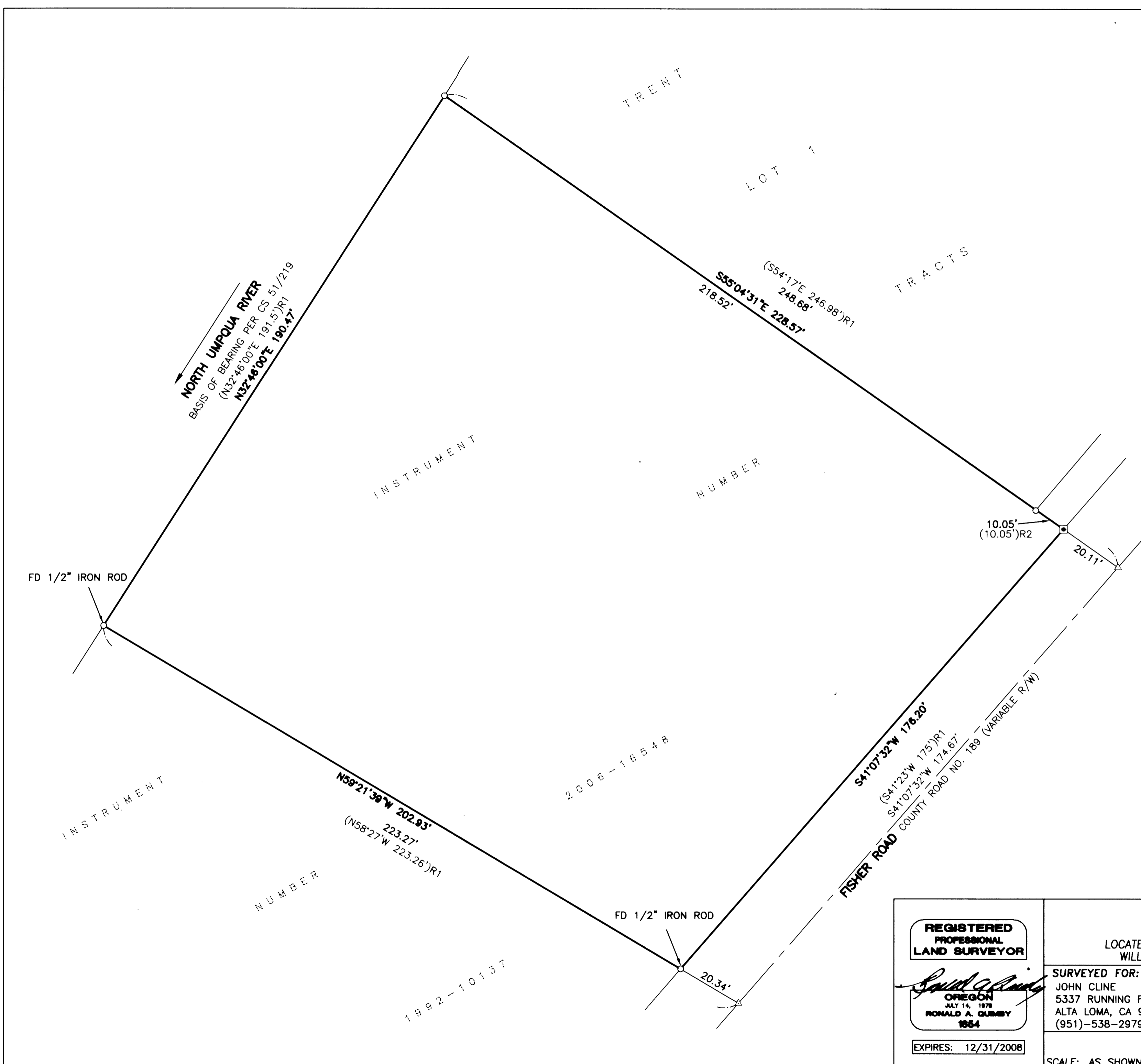
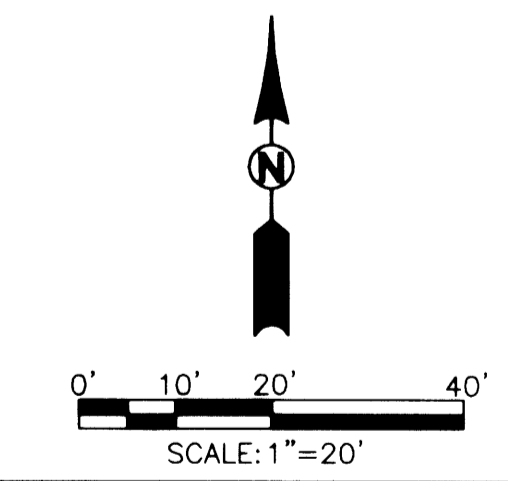


FILED
 Date: 11/26/2007 By: JC
 This survey consists of:
 Map: M154-50
 Narrative:
 Corner Ept:
 DOUGLAS COUNTY
 SURVEYOR



LEGEND:
 □ SET 5/8" x 30" IRON ROD w/CAP MARKED "I.E. ENGINEERING" UNLESS OTHERWISE NOTED
 ○ FOUND 5/8" IRON ROD UNLESS OTHERWISE NOTED
 △ CALCULATED POSITION
 ()R1 RECORD AS PER CS 51/219
 ()R2 RECORD AS PER TRENT TRACTS (VOL. 12, PG. 43)

NARRATIVE:
 THE PURPOSE OF THIS SURVEY IS TO LOCATE THE BOUNDARY OF THAT TRACT OF LAND DESCRIBED IN INSTRUMENT NUMBER 2006-16548, DEED RECORDS OF DOUGLAS COUNTY. THE PROCEDURE WAS AS FOLLOWS:
 MONUMENTS OF RECORD WERE TIED AND HELD AS SHOWN. THE MOST EASTERLY CORNER WAS ESTABLISHED BY EXTENDING THE NORTHEASTERLY BOUNDARY THE RECORD DISTANCE PER THE PLAT OF TRENT TRACTS (VOL. 12, PG. 43), PLAT RECORDS OF DOUGLAS COUNTY. A MONUMENT WAS SET IN ORDER TO DELINEATE THE ABOVE DESCRIBED CORNER AS SHOWN.



<p>REGISTERED PROFESSIONAL LAND SURVEYOR</p> <p><i>Ronald A. Quimby</i></p> <p>OREGON JULY 14, 1979 RONALD A. QUIMBY 1954</p> <p>EXPIRES: 12/31/2008</p>	<p>RECORD OF SURVEY</p> <p>LOCATED IN THE NE 1/4 SEC. 27, T. 26 S., R. 6 W., WILLAMETTE MERIDIAN, DOUGLAS COUNTY, OREGON</p>	
	<p>SURVEYED FOR:</p> <p>JOHN CLINE 5337 RUNNING FAWN CT. ALTA LOMA, CA 91737 (951)-538-2979</p>	<p>SURVEYED BY:</p> <p>i.e. ENGINEERING</p> <p>505 SE Main Street Roseburg, Oregon 97470 PHONE (541) 673-0166 FAX (541) 440-9392 email@ieengineering.com</p>
<p>SCALE: AS SHOWN</p>	<p>JOB NO: 2296-01</p> <p>DATE: AUG, 2007</p>	<p>DWG. BY: BHK</p> <p>PM: BHK</p>
		<p>PAGE: 1 OF 1</p>