

PROPERTY SURVEY
FOR
BILL GIBBONS

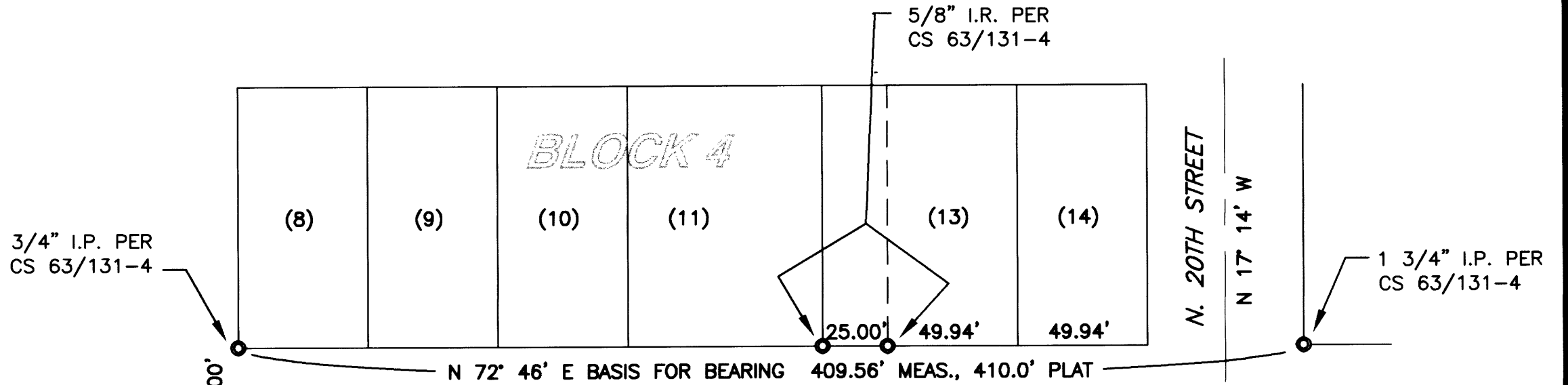
WEST LINE OF LOT 2 BLOCK 7 REEDSPORT ADDITION
SW 1/4 SW 1/4 SECTION 34 T. 21 S., R 12 W., W.M.
DOUGLAS COUNTY, OREGON

SCALE 1" = 50 FT.
MAY, 2006

FILED
Date: 6-21-2006 By: X
This survey consists of:
Map: M150-68
Narrative: _____
Corner Rpt: _____

DOUGLAS COUNTY
SURVEYOR

SURVEYED BY: KING A. PHELPS
27449 HWY 38
ELKTON, OR 97436



NARRATIVE:
PURPOSE OF THIS SURVEY IS TO ESTABLISH THE
WEST LINE OF LOT 2, BLOCK 7.

- ⊙ FOUND MONUMENT AS NOTED
- SET 5/8" X 40" IRON ROD W/ PLASTIC CAP
"PHELPS LS 1289"

REGISTERED
PROFESSIONAL
LAND SURVEYOR

King A. Phelps
OREGON
SEPTEMBER 23, 1977
KING A. PHELPS
#1298

Dec 2006

MAP FILE M150-68

MAP FILE M150-68