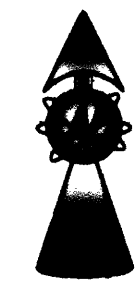


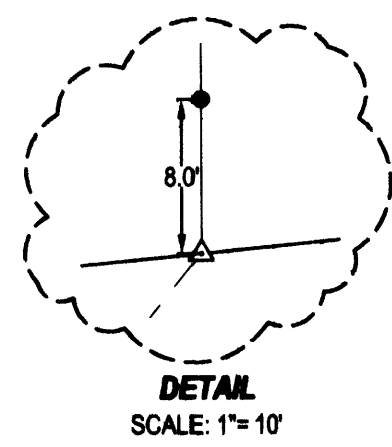
FILED
 Date: 3-2-2006 By: JC
 This survey consists of:
 Map: M149-72
 Narrative:
 Corner Rpt:
DOUGLAS COUNTY
SURVEYOR

MAP FILE M149-72



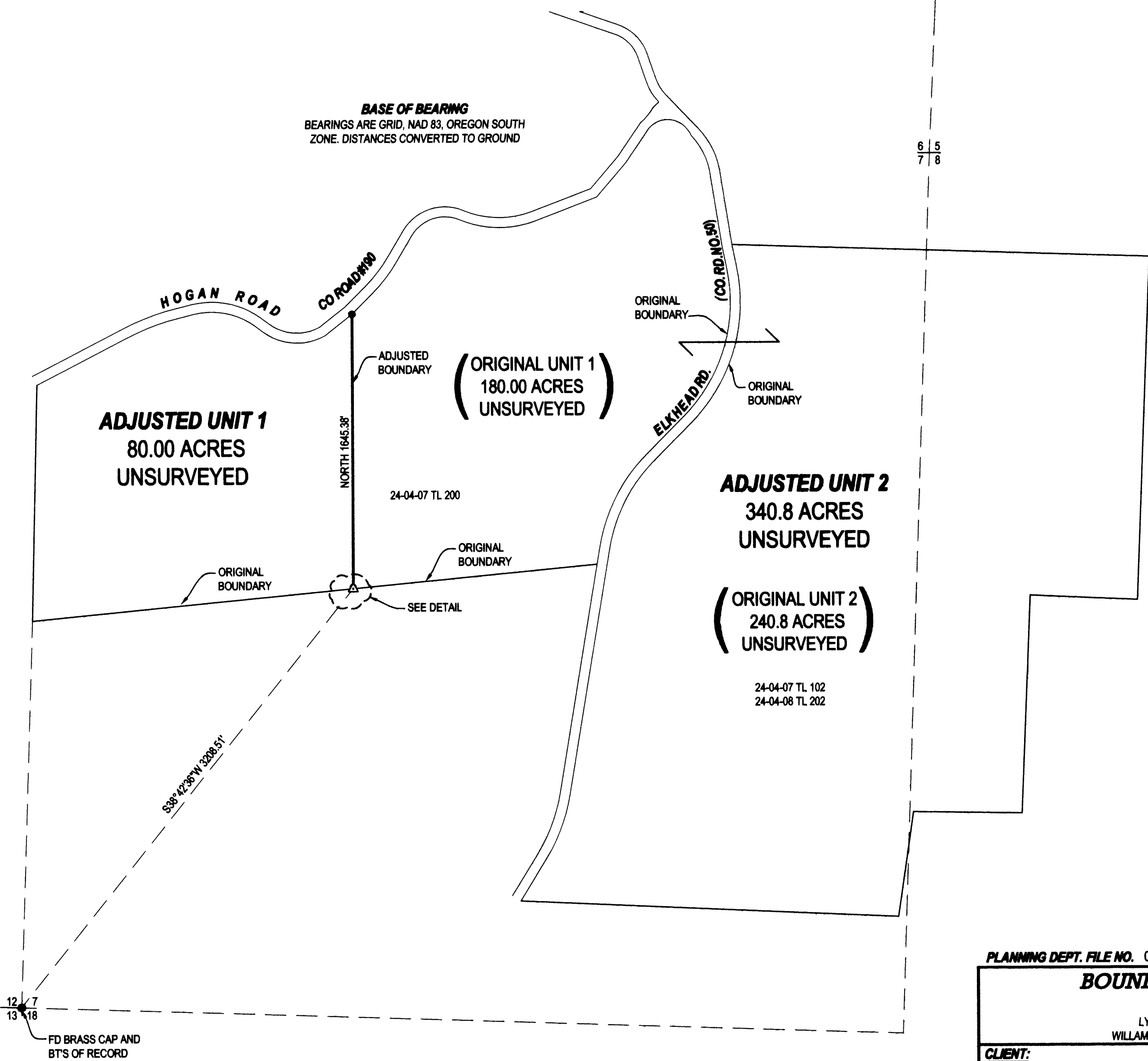
LEGEND
 ○ FOUND 5/8" IRON ROD UNLESS OTHERWISE NOTED
 ● SET 5/8"x30" IRON ROD w/CAP STAMPED "HIBBS-LS 52989"
 △ CALCULATED POSITION

FIELD CREW: NEIL & ERIC HIBBS
 EQUIPMENT: TRIMBLE R8 BASE AND RECIEVERS
 OFFICE: NEIL HIBBS



APPROVAL:
Keith L. Cubic 3/1/06
 DOUGLAS COUNTY PLANNING DIRECTOR DATE

BASE OF BEARING
 BEARINGS ARE GRID, NAD 83, OREGON SOUTH
 ZONE. DISTANCES CONVERTED TO GROUND



PLANNING DEPT. FILE NO. 05-M030

BOUNDARY LINE ADJUSTMENT

LYING IN SECTIONS 6, 7 AND 8, T24S, R4W,
 WILLAMETTE MERIDIAN, DOUGLAS COUNTY, OREGON

CLIENT:
 CLAY BAUMGARTNER
 14900 ELKHEAD RD.
 OAKLAND, OREGON 97462

SURVEYOR:
NEIL LAND SURVEYING, LLC
 HIBBS 4739 LOOKINGGLASS ROAD
 ROSEBURG, OREGON 97470
 phone (541) 957-9303
 fax (541) 957-9306
 email: Neil.Hibbs@aol.com

REGISTERED PROFESSIONAL LAND SURVEYOR

OREGON
 JANUARY 12, 1999
F. NEIL HIBBS
 52989
 EXPIRATION DATE
 8/30/2005

DWG. SCALE: 1" = 500' JOB #: 0121-05 DWG. BY: FLB PAGE: 1 OF 1 DATE: MAY 2005

MAP FILE M149-72

