

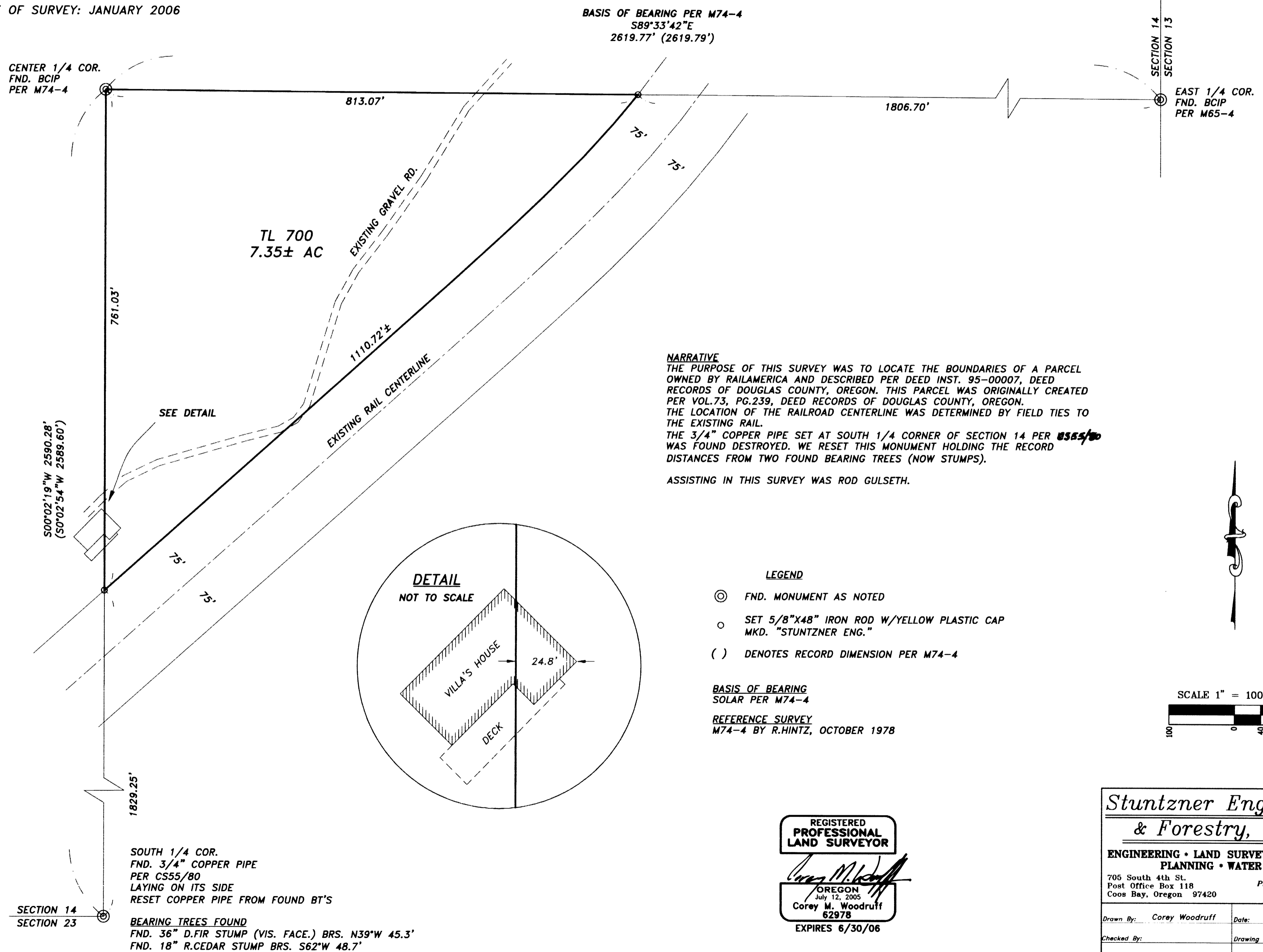
BOUNDARY SURVEY MAP

LOCATED IN THE SE1/4 OF SECTION 14, TOWNSHIP 22 SOUTH, RANGE 12 WEST, W.M.
DOUGLAS COUNTY, OREGON

FILED
Date: 2-22-2006 By: JC
This survey consists of:
Map: M149-65
Narrative:
Corner Rpt:
DOUGLAS COUNTY SURVEYOR

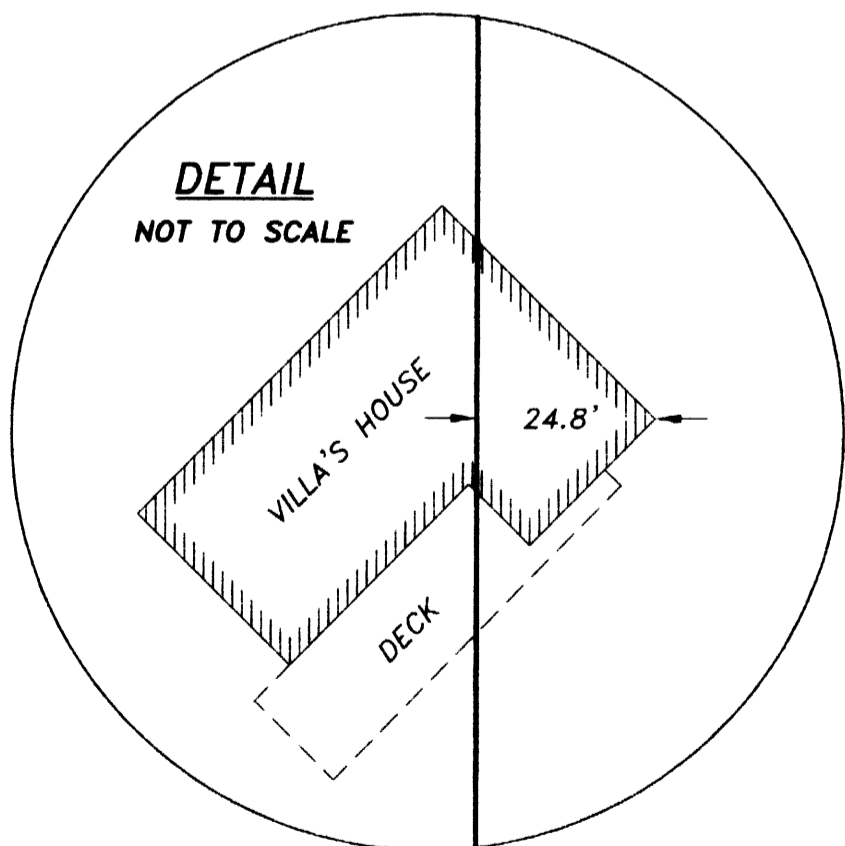
SURVEY FOR: RAILAMERICA, INC.
SAN ANTONIO, TEXAS

DATE OF SURVEY: JANUARY 2006



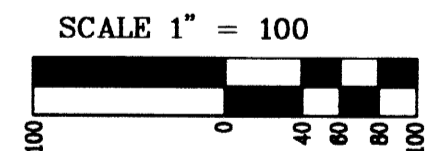
NARRATIVE
THE PURPOSE OF THIS SURVEY WAS TO LOCATE THE BOUNDARIES OF A PARCEL OWNED BY RAILAMERICA AND DESCRIBED PER DEED INST. 95-00007, DEED RECORDS OF DOUGLAS COUNTY, OREGON. THIS PARCEL WAS ORIGINALLY CREATED PER VOL.73, PG.239, DEED RECORDS OF DOUGLAS COUNTY, OREGON. THE LOCATION OF THE RAILROAD CENTERLINE WAS DETERMINED BY FIELD TIES TO THE EXISTING RAIL. THE 3/4" COPPER PIPE SET AT SOUTH 1/4 CORNER OF SECTION 14 PER ~~US55/80~~ WAS FOUND DESTROYED. WE RESET THIS MONUMENT HOLDING THE RECORD DISTANCES FROM TWO FOUND BEARING TREES (NOW STUMPS).

ASSISTING IN THIS SURVEY WAS ROD GULSETH.



- LEGEND**
- ⊙ FND. MONUMENT AS NOTED
 - SET 5/8"X48" IRON ROD W/YELLOW PLASTIC CAP MKD. "STUNTZNER ENG."
 - () DENOTES RECORD DIMENSION PER M74-4

BASIS OF BEARING
SOLAR PER M74-4
REFERENCE SURVEY
M74-4 BY R.HINTZ, OCTOBER 1978



REGISTERED
**PROFESSIONAL
LAND SURVEYOR**

Corey M. Woodruff
OREGON
July 12, 2005
Corey M. Woodruff
62978
EXPIRES 6/30/06

*Stuntzner Engineering
& Forestry, L.L.C.*

ENGINEERING • LAND SURVEYING • FORESTRY
PLANNING • WATER RIGHTS

705 South 4th St. Phone: (541) 267-2872
Post Office Box 118
Coos Bay, Oregon 97420 Fax: (541) 267-0588

Drawn By: Corey Woodruff	Date: February, 2006
Checked By:	Drawing No.: 05-405.dwg
Designed By:	Revised:
Job Name: RailAmerica TL 700 Survey	Sheet 1 of 1

MAP FILE M149-65

MAP FILE M149-65