

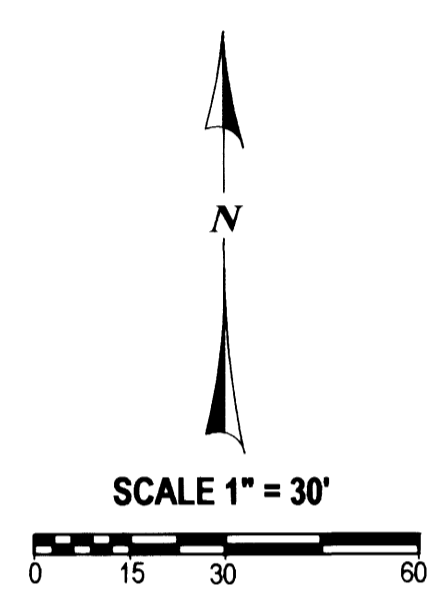
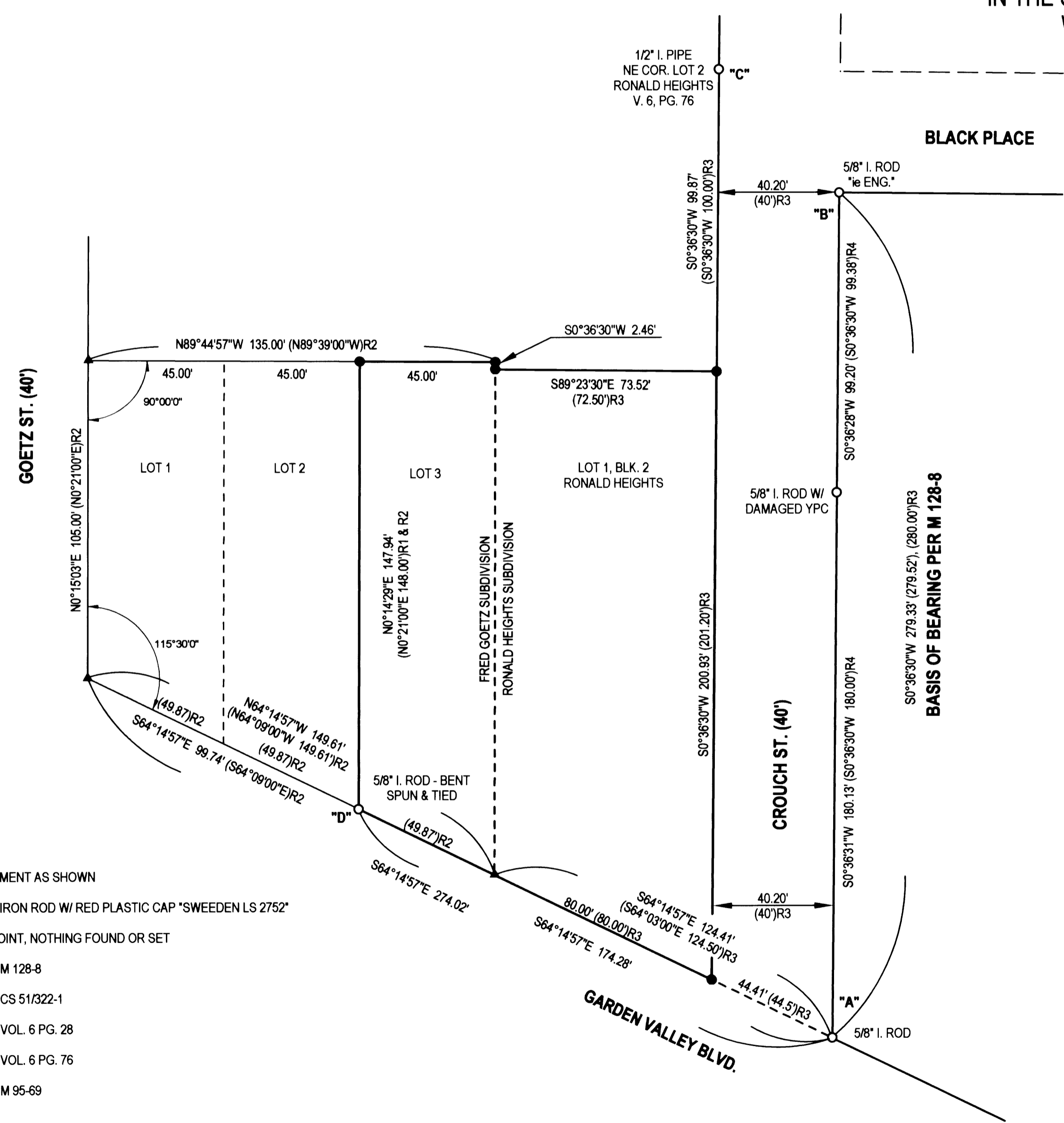
MAP FILE M149-62

FILED
Date: 2-21-2006 By: SC
This survey consists of:
Map: M149-62
Name:
Corner fpt:

DOUGLAS COUNTY
SURVEYOR

BOUNDARY SURVEY

IN THE SE 1/4 OF SECTION 11, TOWNSHIP 27 SOUTH, RANGE 6 WEST,
WILLAMETTE MERIDIAN, DOUGLAS COUNTY, OREGON
CITY OF ROSEBURG, OREGON
FEBRUARY, 2006



NARRATIVE:

THIS SURVEY WAS COMPLETED TO ESTABLISH THE BOUNDARY OF LOT 1, BLOCK 2, RONALD HEIGHTS AND LOT 3, FRED GOETZ SUBDIVISION, CITY OF ROSEBURG, DOUGLAS COUNTY, OREGON. MONUMENTATION FROM THE RECORD PLATS WAS HARD TO FIND BUT AFTER SEARCHING A 1/2" IRON PIPE WAS FOUND AT THE NORTHEAST CORNER OF LOT 2, BLOCK 2 OF RONALD HEIGHTS, A 5/8" IRON ROD WAS FOUND AT THE SOUTH WEST CORNER OF LOT 3, FRED GOETZ SUBDIVISION PER CS 51/322-1 AND MONUMENTS ALONG THE EAST SIDE OF CROUCH STREET FROM M 83-36, M 95-65 AND M 128-8 WERE FOUND. THE BASIS OF BEARING WAS THEN HELD BETWEEN POINTS "A" AND "B" PER M 128-8 WHICH DETERMINED THE EAST LINE OF CROUCH STREET. A LINE PARALLEL TO THIS LINE WAS EXTENDED SOUTH FROM THE MONUMENT AT "C" AND INTERSECTED WITH THE LINE FROM "A" TO "D" TO ESTABLISH THE SOUTH EAST CORNER OF LOT 1, BLOCK 2, RONALD HEIGHTS. THE LINE "A" - "D" WAS THEN EXTENDED WESTERLY RECORD PLAT DISTANCE TO COMPUTE THE SOUTHWEST CORNER OF LOT 1, FRED GOETZ SUBDIVISION HOLDING THE MONUMENT AT "D" AS THE SOUTHWEST CORNER OF LOT 3. THE REMAINING BOUNDARIES OF LOTS 1, 2 & 3, FRED GOETZ SUBDIVISION WERE THEN COMPUTED USING RECORD PLAT DISTANCE AND ANGLE, THE NORTHEAST CORNER OF LOT 1, BLOCK 2, RONALD HEIGHT WAS SET ON LINE BY PROPORTIONING AND THE NORTHWEST CORNER OF LOT 1 ESTABLISHED BY BEARING BEARING INTERSECTION FROM THE PREVIOUSLY ESTABLISHED NORTHEAST CORNER AND THE NORTHEAST CORNER OF LOT 3, FRED GOETZ SUBDIVISION ON A LINE PARALLEL WITH THE WEST LINE OF LOT 1.

FIELD CREW: J. SNOW & M. SCHMIDT
EQUIPMENT: NIKON DTM-521 W/ SUPPORT
MAPPING AND CALC'S: T. RUSHING

SURVEY FOR:
T.D. HOLDINGS LLC
2214 NW IRIS COURT
CAMAS, WA. 98607-5002

LEGEND:

- FOUND MONUMENT AS SHOWN
- SET 5/8" X 30" IRON ROD W/ RED PLASTIC CAP "SWEEDEN LS 2752"
- ▲ COMPUTED POINT, NOTHING FOUND OR SET
- () RECORD PER M 128-8
- ()R1 RECORD PER CS 51/322-1
- ()R2 RECORD PER VOL. 6 PG. 28
- ()R3 RECORD PER VOL. 6 PG. 76
- ()R4 RECORD PER M 95-69

REGISTERED
PROFESSIONAL
LAND SURVEYOR
Carl A. Sweeden
OREGON
CARL A. SWEEDEN
2752
JANUARY 15, 1996
EXPIRES 6-30-06

 **EGR & ASSOCIATES, INC.**
ENGINEERS AND SURVEYORS

602 S. E. Parrott (541) 672-8344
Roseburg, Oregon 97470 Fax (541) 492-1167

MAP FILE M149-62