

U.S. FILE NO 65/49-34 A-F
MAP FILE N 144-47

FILED
Date: 5-19-04 By: HW
This survey consists of:
Map: M 144 - 47
Narrative: _____
Corner Rpt: 65/49-34 A-F
**DOUGLAS COUNTY
SURVEYOR**
JP

NORTH 1/4 CORNER, SEC. 2 (ONLY)
SET 5/8"x30" IRON ROD w/2 1/2" ALUM. CAP
AT THE FOUND LOCATION OF A COR. STONE.
STONE SET 1/2 FOOT NORTH OF SET IRON ROD W/ BT'S
36"(32") FIR, BEARS S46°E(S60°E) 22.4' WITH DOUBLE HEALED FACES
37"(32") FIR, BEARS S44°E 27.7' WITH VISIBLE BARK SCRIBE "1/4 S2"
5" FIR, BEARS S30°E(S40°E) 5.7' WITH DOUBLE HEALED FACES
NEW:
9" DOUGLAS FIR, BEARS S61°W 27.1' FACE SCRIBED "T26S R2W S2 BT"
18" DOUGLAS FIR, BEARS N01°W 25.0' FACE SCRIBED "T25S R2W BT"

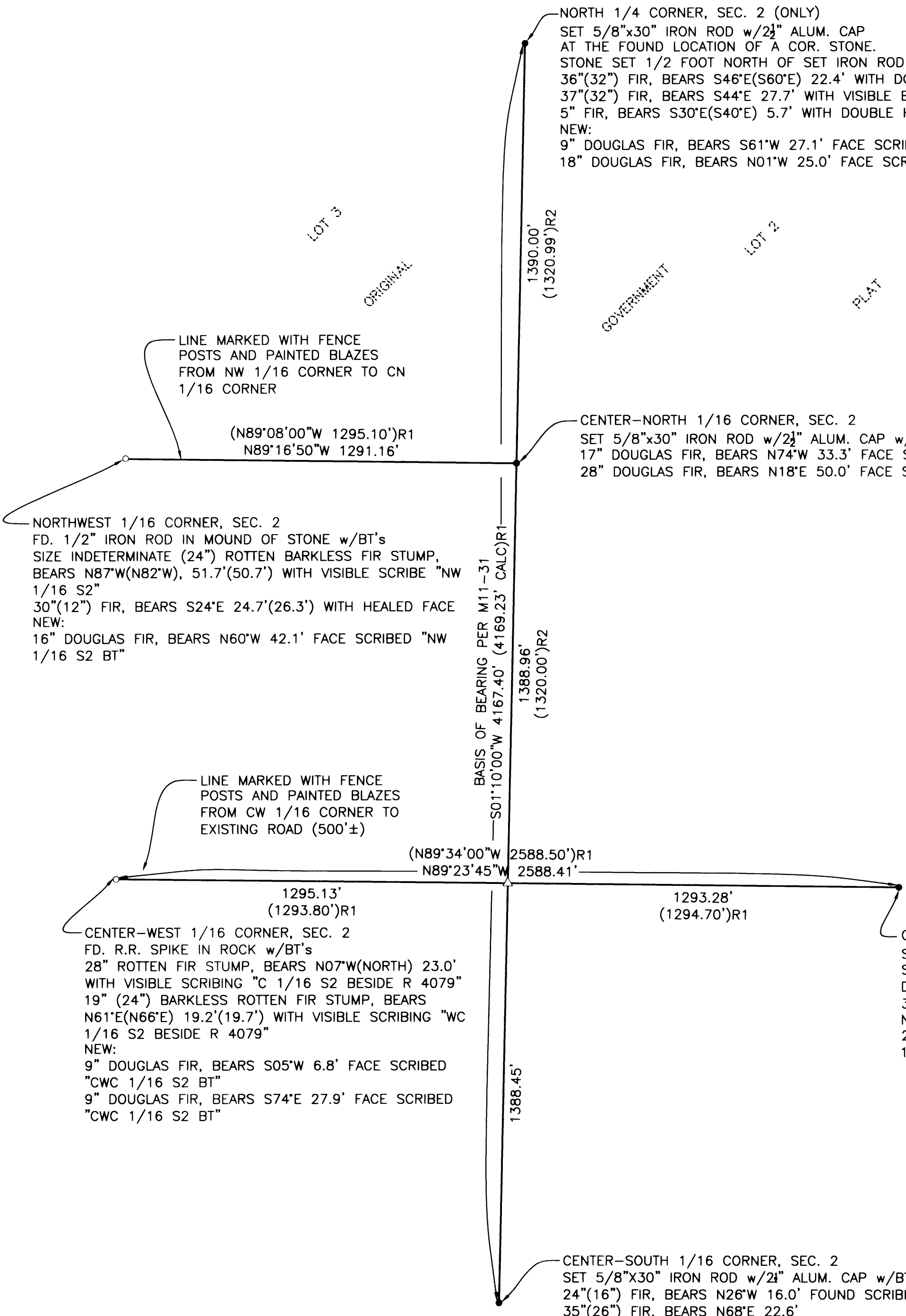
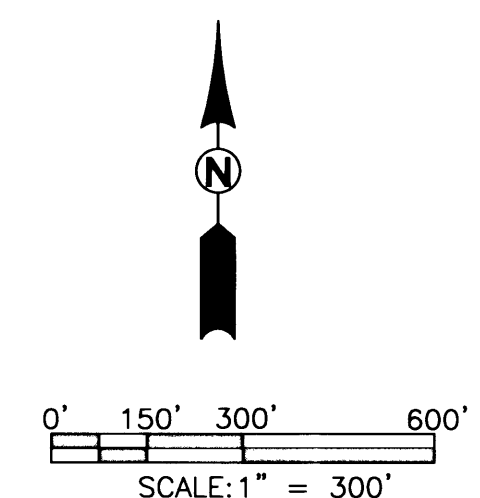
NARRATIVE:
THE PURPOSE OF THIS SURVEY WAS TO LOCATE THE SECTION SUBDIVISION LINES OF SECTION 2, TOWNSHIP 26 SOUTH, RANGE 2 WEST, WILLAMETTE MERIDIAN, DOUGLAS COUNTY, OREGON, AS SHOWN HEREON.
THE PROCEDURE WAS AS FOLLOWS: WE TIED EXISTING MONUMENTS AS SHOWN HEREON. WE THEN CALCULATED THE SUBDIVISION OF THE SECTION ACCORDING TO THE 1973 BLM SURVEY MANUAL AND SET THE CENTER NORTH 1/16 CORNER. WE ALSO ADJUSTED OUR TRAVERSES USING THE COMPASS RULE.

NOTE:
THE WEST LINE OF SECTION 2, T26S, R2W, W.M., DOUGLAS COUNTY, OREGON, WAS MARKED WITH FENCE POSTS AND BLAZES AS PART OF THIS CONTRACT.

LEGEND

- SET 5/8" x 30" IR w/CAP MARKED AS NOTED (SEE CS 65/49-34 A-F)
- FOUND 5/8" IRON ROD UNLESS OTHERWISE NOTED
- △ CALCULATED POSITION
- () R1 RECORD AS PER M11-31
- () R2 RECORD AS PER ORIGINAL GOV'T PLAT

FIELD CREW: DEREK FEIGEL, BRUCE WEBSTER AND BLAINE LOVEMARK
EQUIPMENT: NIKON TOTAL STATION AND TDS HP48 DATA COLLECTOR
OFFICE: ED MONREAN
DRAFTING: MICHAEL JONES



<p>REGISTERED PROFESSIONAL LAND SURVEYOR</p> <p><i>Ed Monrean</i></p> <p>OREGON JULY 13, 1979 LARRY E. MONREAN #1830 CERT. EXP. 12-31-04</p>	SURVEY	
	LYING IN SECTION 2, TOWNSHIP 26 SOUTH, RANGE 2 WEST, WILLAMETTE MERIDIAN, DOUGLAS COUNTY, OREGON	
<p>SURVEYED FOR: ROSEBURG RESOURCES CO. P.O. BOX 1088 ROSEBURG, OREGON 97470</p>	<p>SURVEYED BY: i.e. ENGINEERING 741 SE Jackson Street Roseburg, Oregon 97470 PHONE (541) 673-0166 FAX (541) 440-9392 email@ieengineering.com</p>	<p>DWG. BY: MLJ</p>
SCALE: AS SHOWN	DATE: APRIL, 2004	JOB NO: 1851-04
		PAGE: 1 OF 1

C.S. File No 65/49-34 A-F
MAP FILE W 144-47