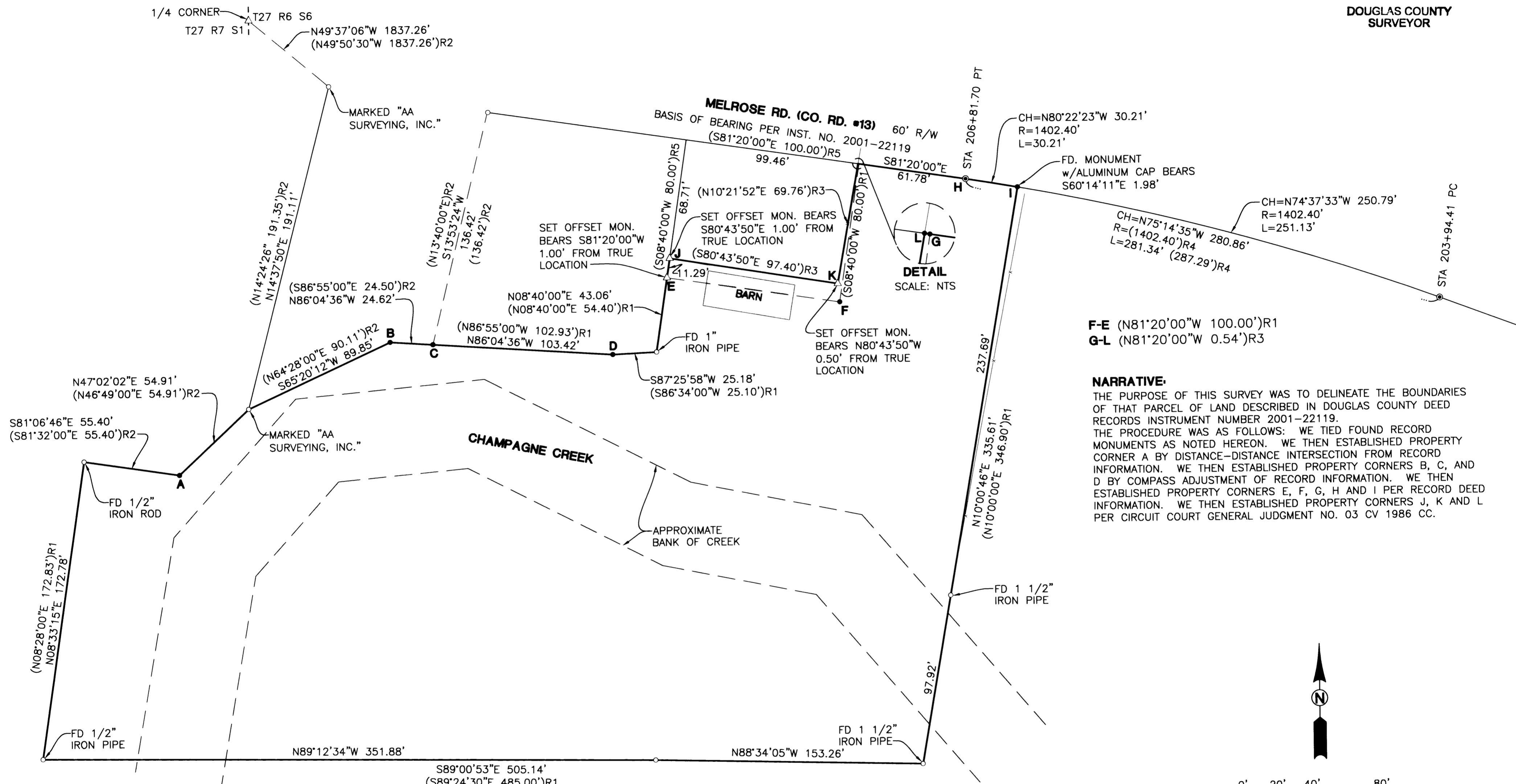


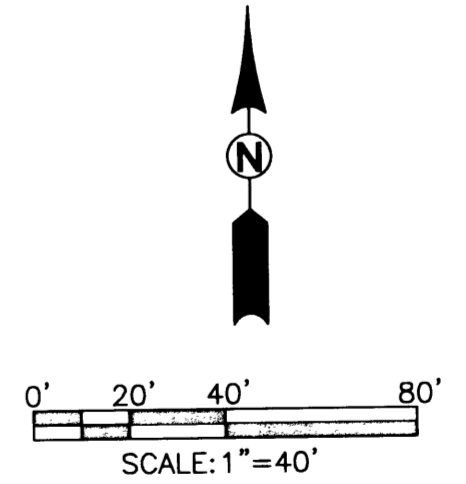
FILED
 Date: 3/30/2004 By: JP
 This survey consists of:
 Map: M144-14
 Narrative:
 Corner Rpt:

DOUGLAS COUNTY
 SURVEYOR



F-E (N81°20'00\"W 100.00')R1
 G-L (N81°20'00\"W 0.54')R3

NARRATIVE:
 THE PURPOSE OF THIS SURVEY WAS TO DELINEATE THE BOUNDARIES OF THAT PARCEL OF LAND DESCRIBED IN DOUGLAS COUNTY DEED RECORDS INSTRUMENT NUMBER 2001-22119. THE PROCEDURE WAS AS FOLLOWS: WE TIED FOUND RECORD MONUMENTS AS NOTED HEREON. WE THEN ESTABLISHED PROPERTY CORNER A BY DISTANCE-DISTANCE INTERSECTION FROM RECORD INFORMATION. WE THEN ESTABLISHED PROPERTY CORNERS B, C, AND D BY COMPASS ADJUSTMENT OF RECORD INFORMATION. WE THEN ESTABLISHED PROPERTY CORNERS E, F, G, H AND I PER RECORD DEED INFORMATION. WE THEN ESTABLISHED PROPERTY CORNERS J, K AND L PER CIRCUIT COURT GENERAL JUDGMENT NO. 03 CV 1986 CC.



LEGEND

- SET 5/8" x 30" IR w/CAP MARKED "I.E. ENGINEERING" UNLESS OTHERWISE NOTED
- FOUND 5/8" IRON ROD UNLESS OTHERWISE NOTED
- FOUND ALUMINUM CAP MARKED "ROW"
- ()R1 RECORD AS PER INST. NO. 2001-22119
- ()R2 RECORD AS PER M114-5
- ()R3 RECORD AS PER CIRCUIT COURT GENERAL JUDGMENT NO. 03 CV 1986 CC
- ()R4 RECORD AS PER CO. RD. #13 MAP #07640796
- ()R5 RECORD AS PER INST. NO. 2003-001546

FIELD CREW: RYAN PALMER AND JIM FERRIS
EQUIPMENT: NIKON TOTAL STATION AND TDS RECON DATA COLLECTOR
OFFICE: JERRY ESTABROOK
DRAFTING: MICHAEL JONES

REGISTERED PROFESSIONAL LAND SURVEYOR

OREGON
 JUNE 30, 1995
JERRY LEE ESTABROOK
 2703
 EXPIRES: 12/31/2005

SURVEY		
LYING IN THE SW 1/4 OF SEC. 6, TOWNSHIP 27 SOUTH, RANGE 6 WEST, WILLAMETTE MERIDIAN, DOUGLAS COUNTY, OREGON		
SURVEYED FOR: WILLIAM McAULIFFE 3780 MELROSE RD. ROSEBURG, OR 97470	SURVEYED BY: ENGINEERING	741 SE Jackson Street Roseburg, Oregon 97470 PHONE (541) 673-0166 FAX (541) 440-9392 iemail@ieengineering.com
SCALE: AS SHOWN	DATE: MARCH, 2004	DWG. BY: MLJ JOB NO: 1928-01 PAGE: 1 OF 1