

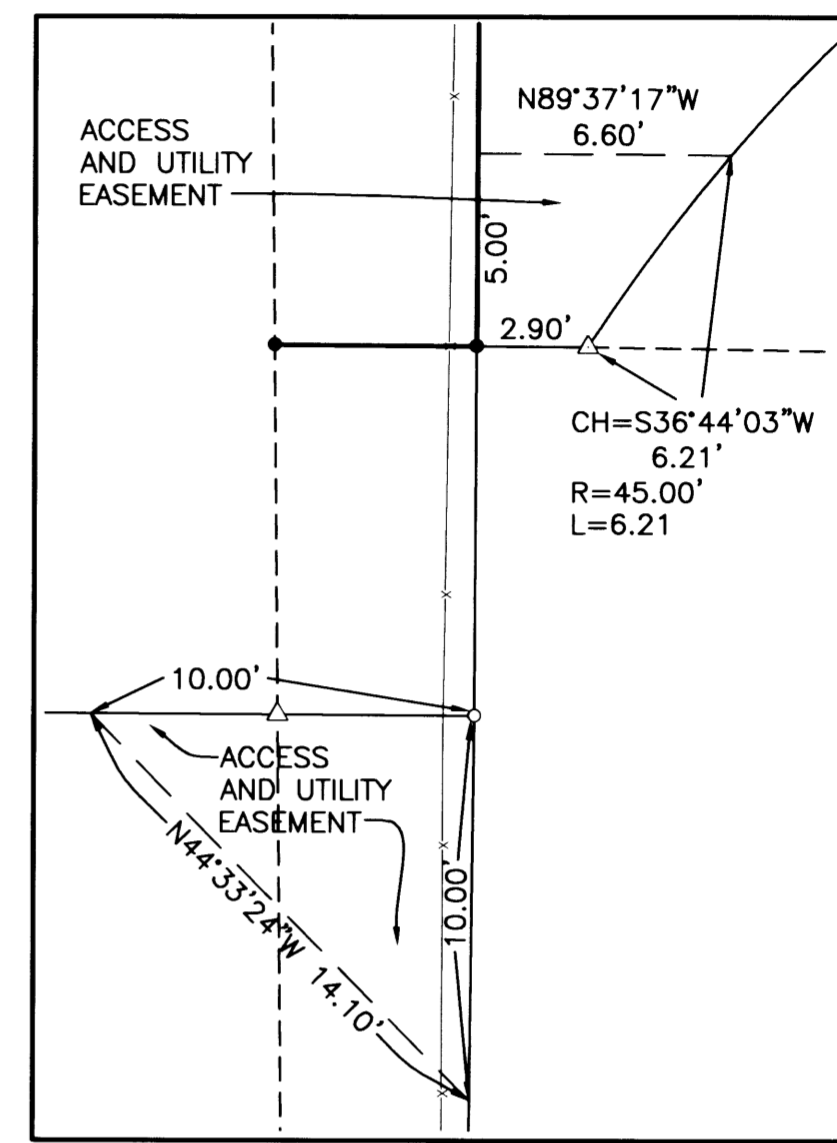
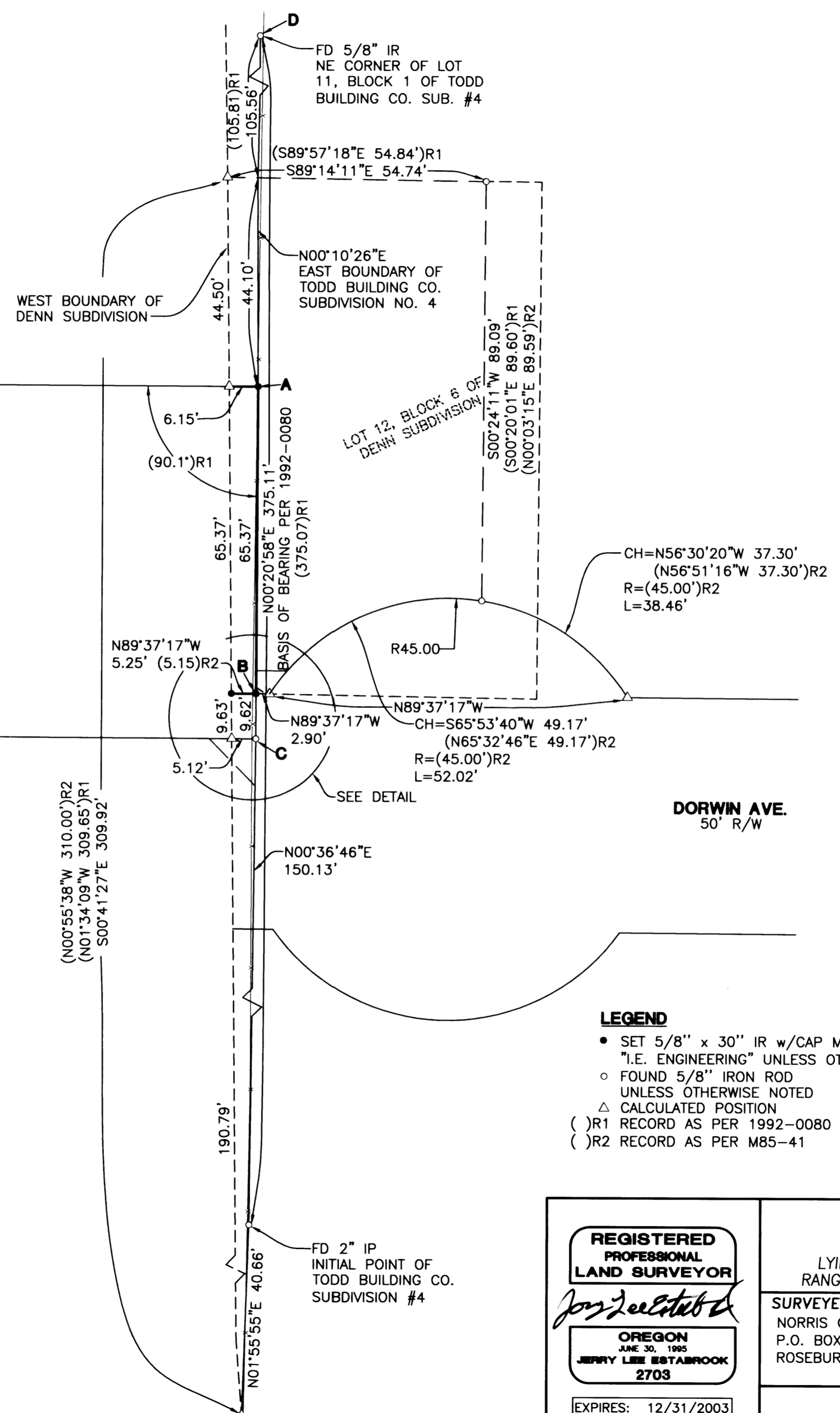
FILED  
Date: 10/1/2003 By: JP  
This survey consists of:  
Map: M143-9  
Narrative:  
Corner Rpt:  
DOUGLAS COUNTY  
SURVEYOR

FIELD CREW: BRUCE WEBSTER AND CORY LYON  
EQUIPMENT: NIKON TOTAL STATION AND SDR 33 DATA COLLECTOR  
OFFICE: JERRY ESTABROOK  
DRAFTING: MICHAEL JONES

MANZANITA CT.  
50' R/W

LOT 9, BLOCK 1 OF  
TODD BUILDING CO. SUB. #4

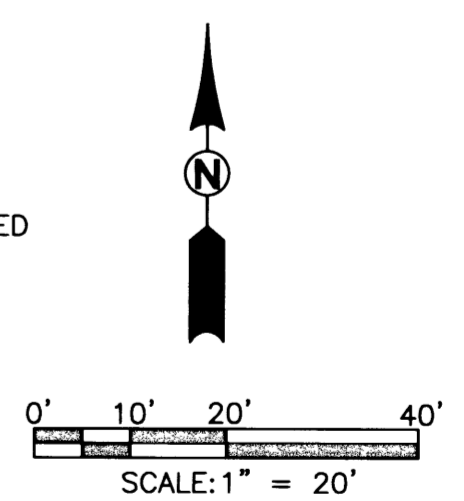
LOT 12, BLOCK 6 OF  
DENN SUBDIVISION



- A SET MONUMENT LIES 0.07' WESTERLY OF FENCE LINE
- B SET MONUMENT LIES 0.72' EASTERLY OF FENCE LINE
- C FENCE CORNER BEARS S59°40'03"W 0.95' FROM FOUND IRON PIPE
- C-D N00°10'26"E 224.99'

**NARRATIVE:**  
THE PURPOSE OF THIS SURVEY WAS TO RESOLVE A BOUNDARY OVERLAP OF LOT 9 OF BLOCK 1 OF TODD BUILDING CO. #4 AND LOT 12 OF BLOCK 6 OF DENN SUBDIVISION BY BOUNDARY AGREEMENT.  
THE PROCEDURE WAS AS FOLLOWS: WE SEARCHED FOR THE ORIGINAL MONUMENTS OF SAID LOT 9 AND SAID LOT 12. THE ONLY ORIGINAL LOT CORNER WE FOUND WAS THE SOUTHEAST CORNER OF SAID LOT 9. WE ALSO TIED ORIGINAL CORNER MONUMENTS AT THE NORTHEAST CORNER OF LOT 11 OF BLOCK 1 OF TODD BUILDING CO. SUBDIVISION #4 AND AT THE INITIAL POINT OF TODD BUILDING CO. SUBDIVISION #4. WE THEN PROPORTIONED IN THE NORTHEAST CORNER OF SAID LOT 9. NO MONUMENTATION WAS FOUND FOR THE ORIGINAL CORNERS OF SAID LOT 12, WE THEREFORE CALCULATED THE CORNERS OF SAID LOT 12 PER RECORD SURVEY INFORMATION AS SHOWN HEREON.

- LEGEND**
- SET 5/8" x 30" IR w/CAP MARKED "I.E. ENGINEERING" UNLESS OTHERWISE NOTED
  - FOUND 5/8" IRON ROD UNLESS OTHERWISE NOTED
  - △ CALCULATED POSITION
  - ( ) R1 RECORD AS PER 1992-0080
  - ( ) R2 RECORD AS PER M85-41



<b>REGISTERED PROFESSIONAL LAND SURVEYOR</b> <i>Jerry Lee Estabrook</i> <b>OREGON</b> JUNE 30, 1985 <b>JERRY LEE ESTABROOK</b> 2703 EXPIRES: 12/31/2003	<b>BOUNDARY AGREEMENT SURVEY</b> LYING IN THE NW 1/4 OF SECTION 20, TOWNSHIP 27 SOUTH, RANGE 5 WEST, WILLAMETTE MERIDIAN, DOUGLAS COUNTY, OREGON	
	SURVEYED FOR: NORRIS CONSTRUCTION P.O. BOX 336 ROSEBURG, OR 97470	SURVEYED BY: <b>i.e.</b> ENGINEERING 741 SE Jackson Street Roseburg, Oregon 97470 PHONE (541) 673-0166 FAX (541) 440-9392 email@ieengineering.com
SCALE: AS SHOWN	DATE: AUG., 2003	DWG. BY: MLJ JOB NO: 1939-01 PAGE: 1 OF 1