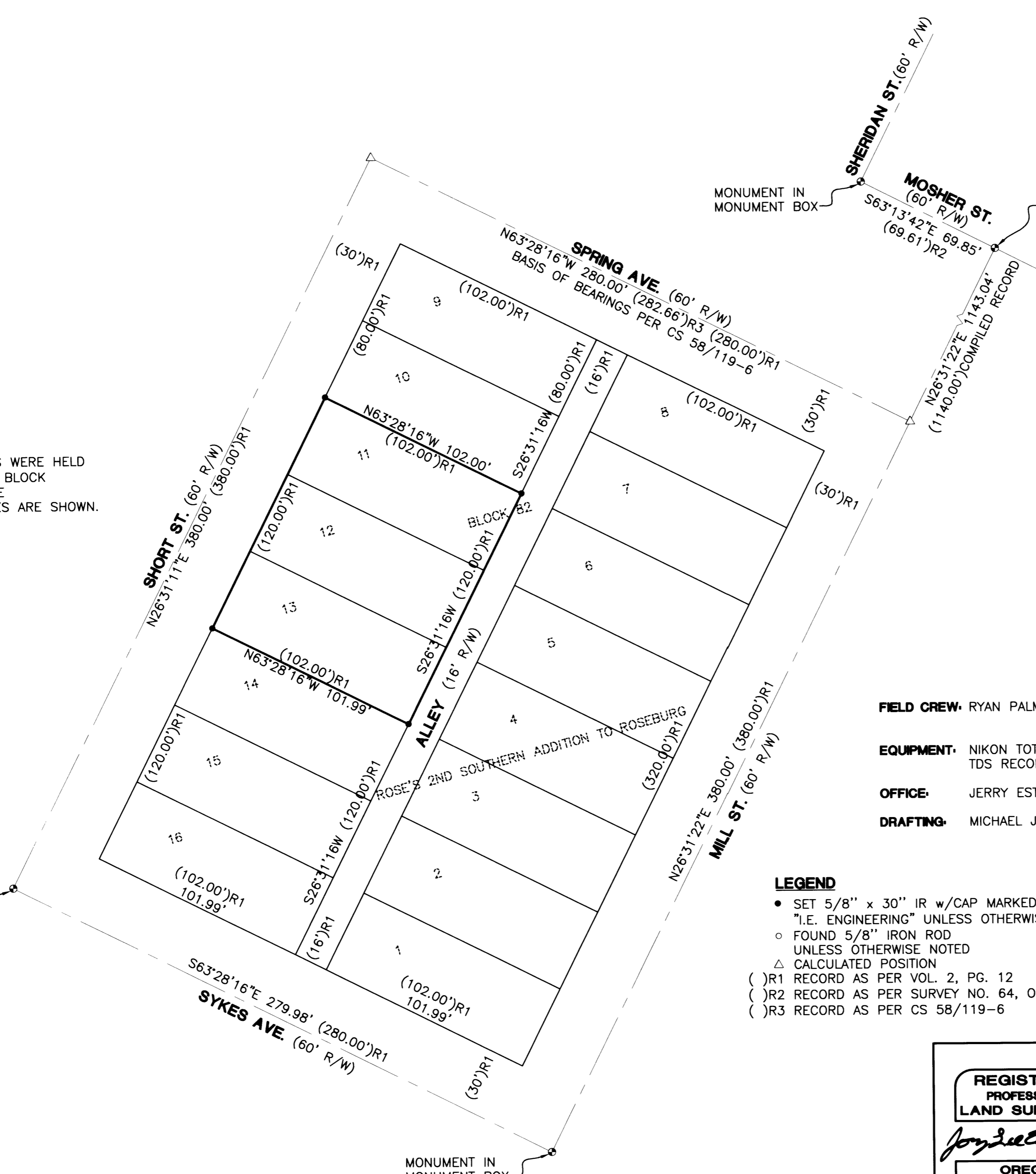


FILED
 Date: 12/18/2003 By: JP
 This survey consists of:
 Map: M143-46
 Narrative:
 Corner Rpt:

DOUGLAS COUNTY
 SURVEYOR

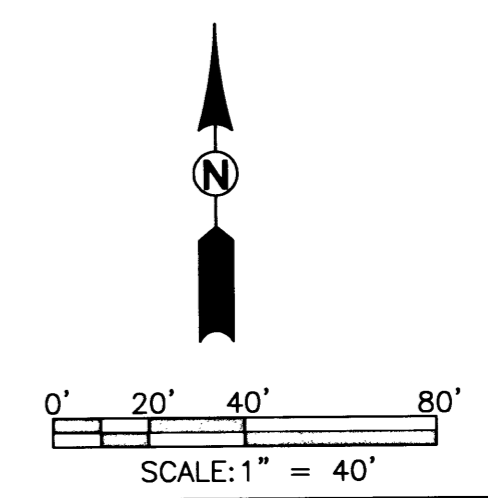
NOTE:
 RECORD PLAT DISTANCES WERE HELD
 TO CALCULATE LOT AND BLOCK
 CORNERS EXCEPT WHERE
 PROPORTIONED DISTANCES ARE SHOWN.



NARRATIVE:
 THE PURPOSE OF THIS SURVEY WAS TO DELINEATE AND MONUMENT LOTS 11, 12, AND 13, BLOCK 82 OF ROSE'S 2ND ADDITION TO ROSEBURG.
 THE PROCEDURE WAS AS FOLLOWS: WE TIED EXISTING MONUMENTS AS SHOWN HEREON. WE THEN CALCULATED THE INTERSECTION OF SPRING AVE. AND MILL ST. AT A PROPORTIONED DISTANCE BETWEEN THE FOUND MONUMENTS AT THE INTERSECTION OF SYKES AVE. AND MILL ST. AND THE INTERSECTION OF MOSHER ST. AND MILL ST. THIS CALCULATED POSITION DID NOT MATCH WITH AN EARLY SURVEY CS #69/39 IN WHICH THE DISTANCE BETWEEN THE INTERSECTION OF MILL ST. AND SYKES AND THE INTERSECTION OF MILL ST. AND SPRING ST. WAS 0.04 FEET SHORT OF RECORD PLAT. WE THEREFORE CALCULATED THE INTERSECTION OF MILL ST. AND SPRING ST. BY RECORD PLAT DISTANCE BETWEEN FOUND MONUMENTS AT THE INTERSECTION OF SYKES AND MILL STREETS AND THE INTERSECTION OF MOSHER AVE. AND MILL ST. WE THEN CALCULATED THE INTERSECTION OF SPRING AVE. AND SHORT ST. BY DISTANCE-DISTANCE INTERSECTION PER PLAT FROM THE AFOREMENTIONED CALCULATED MONUMENT AND THE FOUND MONUMENT AT THE INTERSECTION SYKES AVE. AND SHORT ST. WE THEN HELD RECORD RIGHT-OF-WAY FROM THESE MONUMENTS AS SHOWN HEREON. WE THEN PROPORTIONED BLOCK 82 AND SET MONUMENTS AS SHOWN HEREON.

FIELD CREW: RYAN PALMER AND JIM FERRIS
EQUIPMENT: NIKON TOTAL STATION AND TDS RECON DATA COLLECTOR
OFFICE: JERRY ESTABROOK
DRAFTING: MICHAEL JONES

LEGEND
 • SET 5/8" x 30" IR w/CAP MARKED "I.E. ENGINEERING" UNLESS OTHERWISE NOTED
 ○ FOUND 5/8" IRON ROD UNLESS OTHERWISE NOTED
 △ CALCULATED POSITION
 ()R1 RECORD AS PER VOL. 2, PG. 12
 ()R2 RECORD AS PER SURVEY NO. 64, OLD VOL. 4, PG. 44
 ()R3 RECORD AS PER CS 58/119-6



<p>REGISTERED PROFESSIONAL LAND SURVEYOR</p> <p><i>Jerry Estabrook</i></p> <p>OREGON JUNE 30, 1995 JERRY LEE ESTABROOK 2703</p> <p>EXPIRES: 12/31/2003</p>	<p>SURVEY</p> <p>LYING IN THE SE 1/4 OF SECTION 24, TOWNSHIP 27 SOUTH, RANGE 6 WEST, WILLAMETTE MERIDIAN, DOUGLAS COUNTY, OREGON</p>	
	<p>SURVEYED FOR:</p> <p>JERRY WARREN 220 N. RIVER DR. ROSEBURG, OR 97470</p>	<p>SURVEYED BY:</p> <p>i.e. ENGINEERING 741 SE Jackson Street Roseburg, Oregon 97470 PHONE (541) 673-0166 FAX (541) 440-9392 iemail@ieengineering.com</p>
<p>SCALE: AS SHOWN</p>	<p>DATE: DEC., 2003</p>	<p>DWG. BY: MLJ JOB NO: 1972-01 PAGE: 1 OF 1</p>