

# RECORD OF SURVEY

LOCATED IN THE

SE 1/4 SECTION 25, T28S, R6W W.M. &  
SW 1/4 SECTION 30, T28S, R5W W.M.  
DOUGLAS COUNTY, OREGON

FILED

Date: 8-4-1999 By: JP  
This survey consists of:  
Map: M133-3  
Narrative: \_\_\_\_\_  
Corner Rpt: \_\_\_\_\_

DOUGLAS COUNTY  
SURVEYOR

**NARRATIVE:**

THE PURPOSE OF THIS SURVEY WAS TO SURVEY THE SOUTH 1/2 OF THE EAST LINE OF SECTION 25, T28S, R6W, W.M., DOUGLAS COUNTY, OREGON. MONUMENT THE SOUTH 1/16 OF S25/S30 AND POST THE SECTION LINE FROM THE S 1/16 NORTH TO THE 1/4 COR. S25/S30. THE SURVEY WAS CONTROLLED BY MONUMENTS FOUND, AT THE 1/4 CORNER. S25/S30 AND, SECTION CORNER 25, 36, 30 & 31. A NEW MONUMENT WAS SET AT THE S 1/16 CORNER OF S25/S30 AS SHOWN ON THE FACE OF THIS MAP. THE APPROXIMATE S 1/16 CORNER PER M 55-59 WAS FOUND AS NOTED IN THE DETAIL,

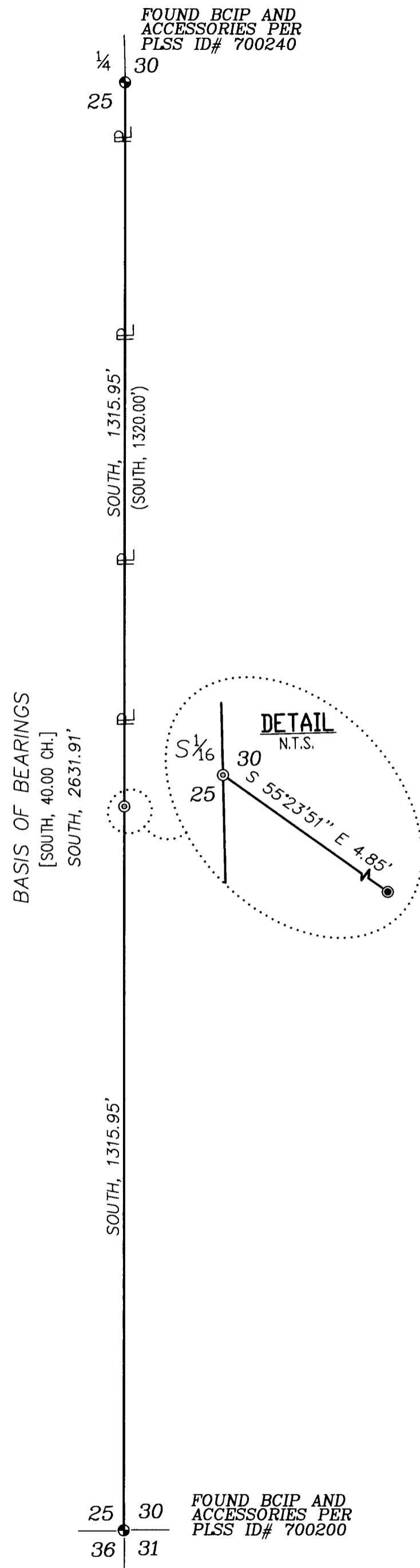
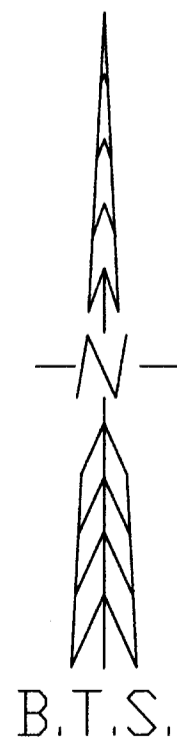
THIS SURVEY WAS PERFORMED BY LES FANNING, MATT DIXON AND ADAM DEGROOT USING A SOKKIA SET 5A TOTAL STATION WITH COMPUTATIONS BY KRIS DEGROOT AND DRAFTING BY BILL WARREN.

S1/16 S25/S30

SET 5/8"x30" IRON ROD IN THE GROUND WITH 2" ALUMINUM CAP STAMPED:

T28S  
R6W S1/16 R5W  
S25 | S30  
1999  
PLS 1941

FROM WHICH NEW BEARING TREES:  
15" W. OAK BEARS S 41° 30' W, 12.7 FEET SCRIBED  
"S1/16, S25, BT"  
28" D. FIR, S 77° E, 13.7 FEET, SCRIBED,  
"S1/16, S30, BT"



REGISTERED  
PROFESSIONAL  
LAND SURVEYOR

*Kristian O. Degroot*

OREGON  
JULY 17, 1981  
KRISTIAN O. DEGROOT  
1941

RENEWAL DATE: 12-31-99

**LEGEND:**

- ⊙ = SET 5/8" X 30" IRON ROD w/ALUM. CAP MK'D. AS NOTED
- ⊙ = FOUND 5/8" IRON ROD PER M 55-59 A&B
- ⊙ = FOUND BCIP AS NOTED
- |— = POSTED SECTION LINE
- < > = RECORD PER M 55-59 A&B
- [ ] = 1853 USGLO RECORD, ELDER & GILE

**BTS ENGINEERING & SURVEYING, INC.**  
431 S.E. MAIN ST., ROSEBURG, OR 97470  
PHONE (541) 673-0966 FAX (541) 673-0105

SCALE: 1" = 200'

DATE: JULY, 1999

DR: JOE FISHER  
1059 GLENGERY LOOP RD.  
ROSEBURG, OREGON 97470

JOB #: 99-031  
FILE NAME: FISHERJO.DWG  
SHEET 1 OF 1