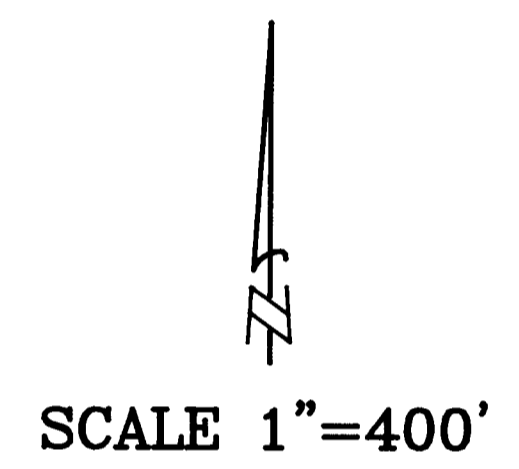
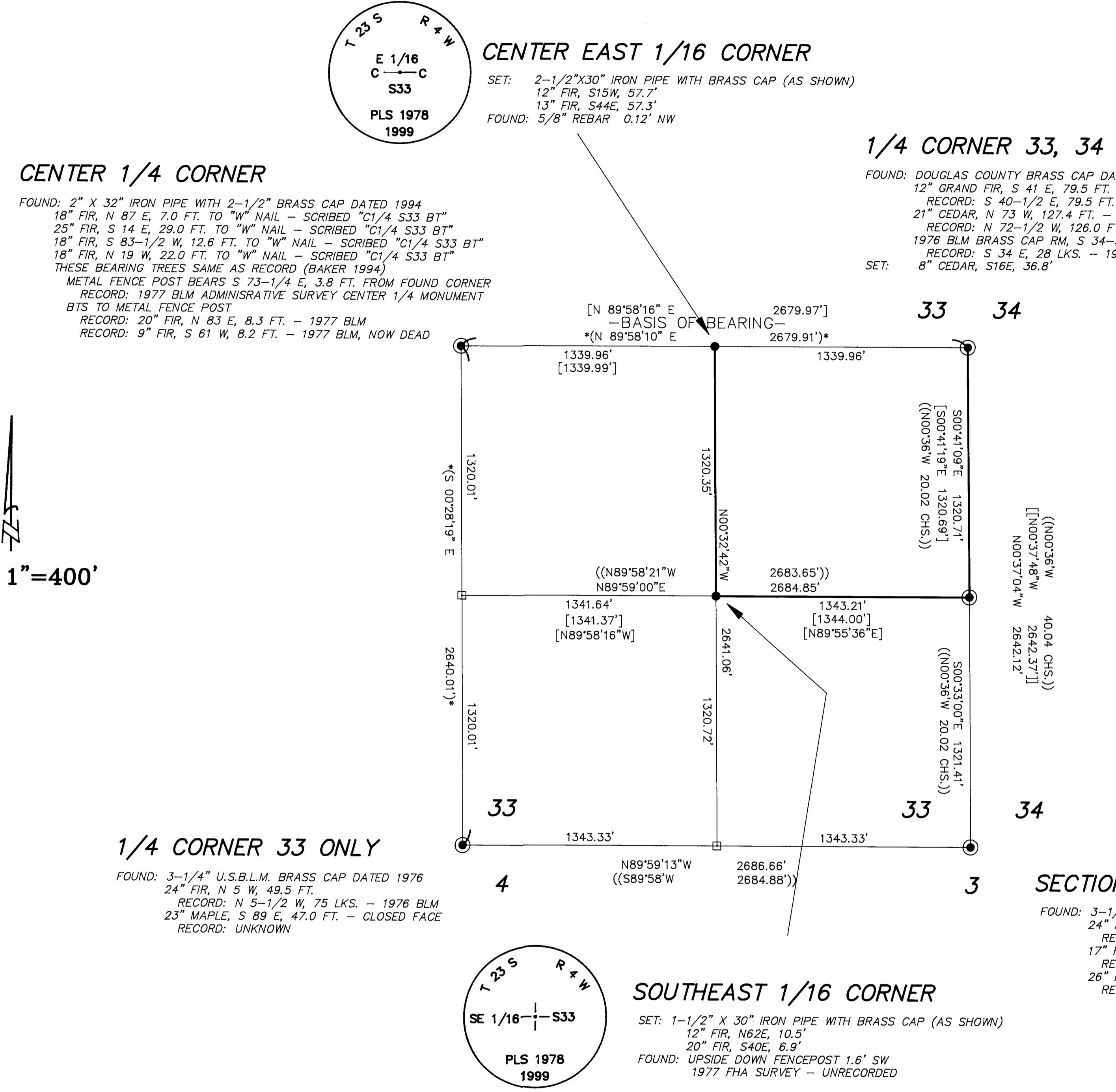


FILED  
Date: 12-20-1999 By: JF  
This survey consists of:  
Map: M132-20  
Narrative:  
Corner Pkt:  
DOUGLAS COUNTY SURVEYOR

**NARRATIVE**

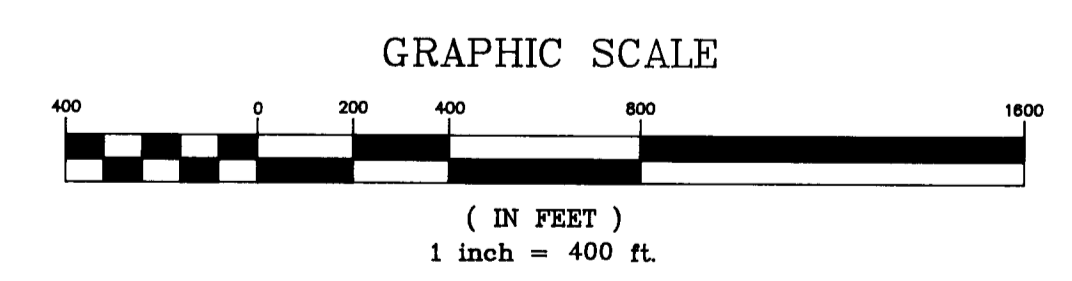
THIS SURVEY WAS MADE IN NOVEMBER OF 1999 BY DANIEL W. BAKER, OF BAKER AND ASSOCIATES, SURVEYORS, 1385 OAK STREET, SUITE 3, EUGENE, OREGON. THE PURPOSE OF THIS SURVEY WAS TO LOCATE AND MARK, IN THE FIELD, THE PROPERTY LINES OF ROCKING "C" RANCH OWNERSHIP IN SECTION 33, T23S, R4W, W.M. A TOPCON GTS 3001 WAS USED TO PERFORM THE SURVEY WITH A MINIMUM ERROR OF CLOSURE OF BETTER THAN 1:7000 BEFORE ADJUSTMENT. THE BASIS OF BEARING FOR THIS SURVEY WAS FROM COUNTY SURVEY NO. M119-38, A PREVIOUS SURVEY BY OUR COMPANY, WHICH USED SOLAR OBSERVATION TAKEN ON JULY 1, 1994 FOR ITS BASIS OF BEARING. THE SOUTHEAST SECTION CORNER, EAST 1/4 CORNER, SOUTH 1/4 CORNER, AND CENTER 1/4 CORNER WERE FOUND AND USED FOR CONTROL. THE CENTER EAST 1/16 CORNER WAS SET AT THE MIDPOINT BETWEEN THE CENTER 1/4 CORNER AND THE EAST 1/4 CORNER. THE SOUTHEAST 1/16 CORNER WAS SET AT THE INTERSECTION OF A LINE BETWEEN THE SET CENTER EAST 1/16 CORNER AND THE MIDPOINT OF A LINE BETWEEN THE SOUTH 1/4 CORNER AND THE SOUTHEAST SECTION CORNER AND A LINE BETWEEN THE MIDPOINT OF A LINE BETWEEN THE SOUTH 1/4 CORNER AND THE CENTER 1/4 CORNER TO THE MIDPOINT OF A LINE FROM THE EAST 1/4 CORNER TO THE SOUTHEAST SECTION CORNER PER THE "1973 BLM MANUAL OF INSTRUCTION". THE FENCE POST CORNER SET AT THE CENTER 1/4 BY A 1977 BLM ADMINISTRATIVE SURVEY WAS DISREGARDED AS IT WAS SET IN AN UNRECORDED SURVEY. THE CORNERS SET IN THIS SURVEY WERE MONUMENTED WITH AN IRON PIPE AND BRASS CAP AS NOTED. ALL CORNERS WERE MARKED WITH PROPER MARKING PER "1973 BLM MANUAL OF INSTRUCTION", AND ALSO MARKED "PLS 1978". THE TRUE PROPERTY LINE WAS MARKED BY BLAZING TREES (BLAZES PAINTED RED) ON EITHER SIDE OF THE TRUE LINE. BEARING TREES ESTABLISHED IN THIS SURVEY WERE BASED ON MAGNETIC 20' DECLINATION, WITH DISTANCES TO A SPIKE SET SIDE CENTER.



**BASIS OF BEARING: EAST 1/2 OF EAST-WEST CENTERLINE OF SECTION 33 PER M119-38**

**LEGEND**

- - CORNERS FOUND (AS NOTED)
- - CORNERS SET (AS NOTED)
- - CALCULATED POINT (NOT SET)
- - PROPERTY LINE
- [ ] - RECORD DATA - M110-58
- ( ) - RECORD DATA - M119-38
- (( )) - RECORD DATA - 1976 BLM
- [[ ]] - RECORD DATA - M121-69
- \* - BEARINGS AND DISTANCES SAME AS RECORD UNLESS NOTED OTHERWISE



REGISTERED PROFESSIONAL LAND SURVEYOR  
*Daniel W. Baker*  
OREGON  
DANIEL W. BAKER  
1978  
EXPIRES 12/31/99

**SURVEY IN**  
**SE 1/4 SEC. 33, T23S, R4W, W.M.**  
**DOUGLAS COUNTY, OREGON**  
CLIENT: **ROCKING "C" RANCH**  
DRAWN BY: **KRC** **BAKER AND ASSOCIATES, SURVEYORS**  
DATE: **11-9-99** **1385 OAK STREET - SUITE 3**  
FILE: **ROCKINGC** **EUGENE, OREGON 97401 (541) 343-7243**