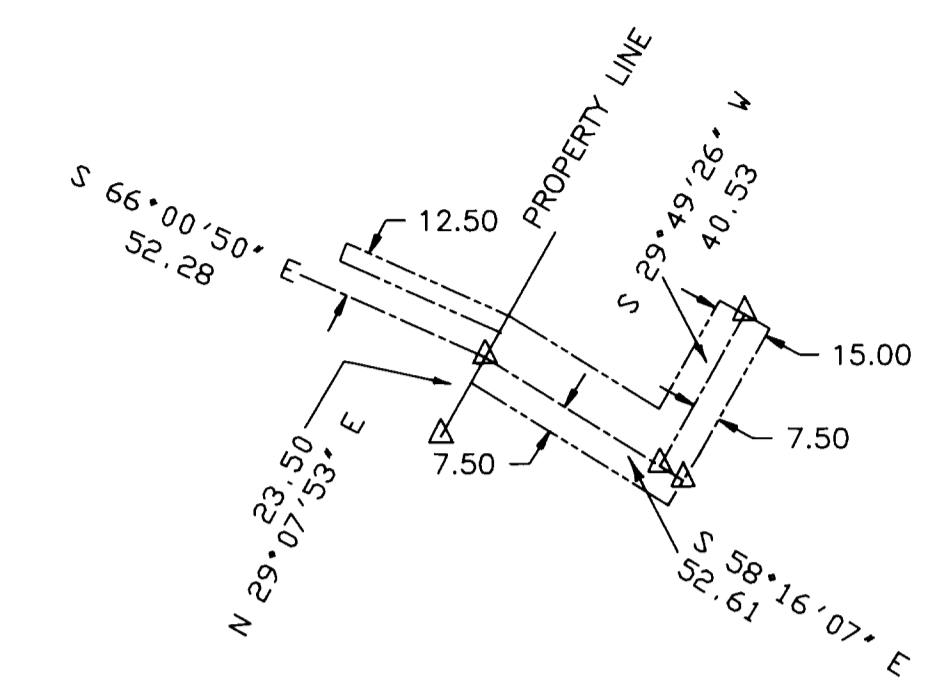
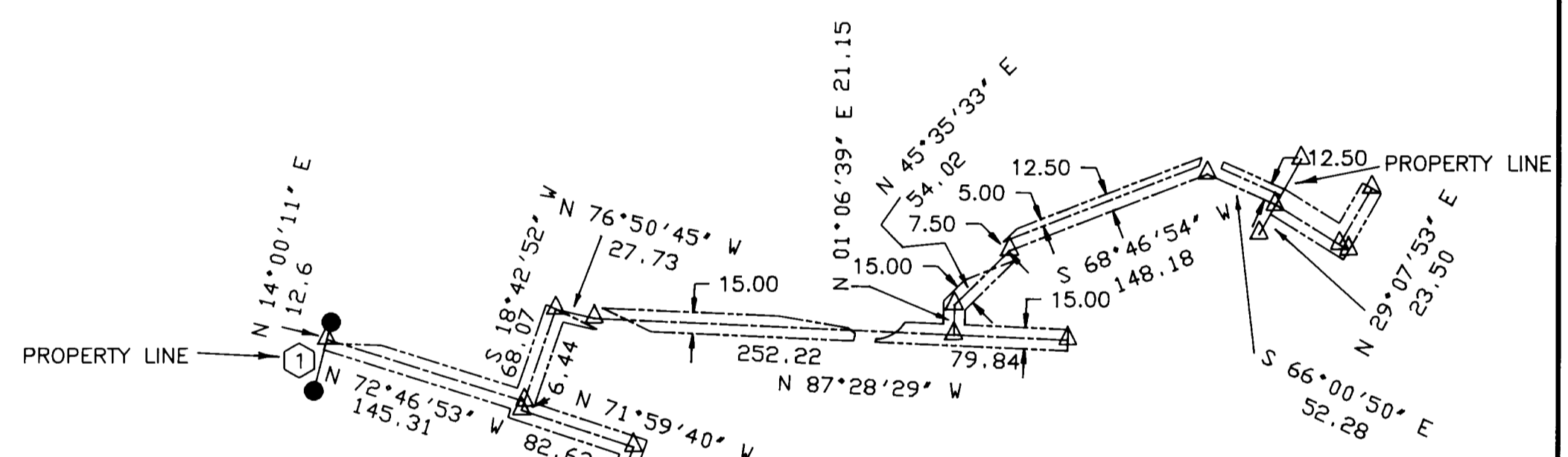


FILED
 Date: 12-7-1999 By: JC
 This survey consists of:
 Map: M132-19
 Narrative:
 Corner Rpt:
 DOUGLAS COUNTY
 SURVEYOR

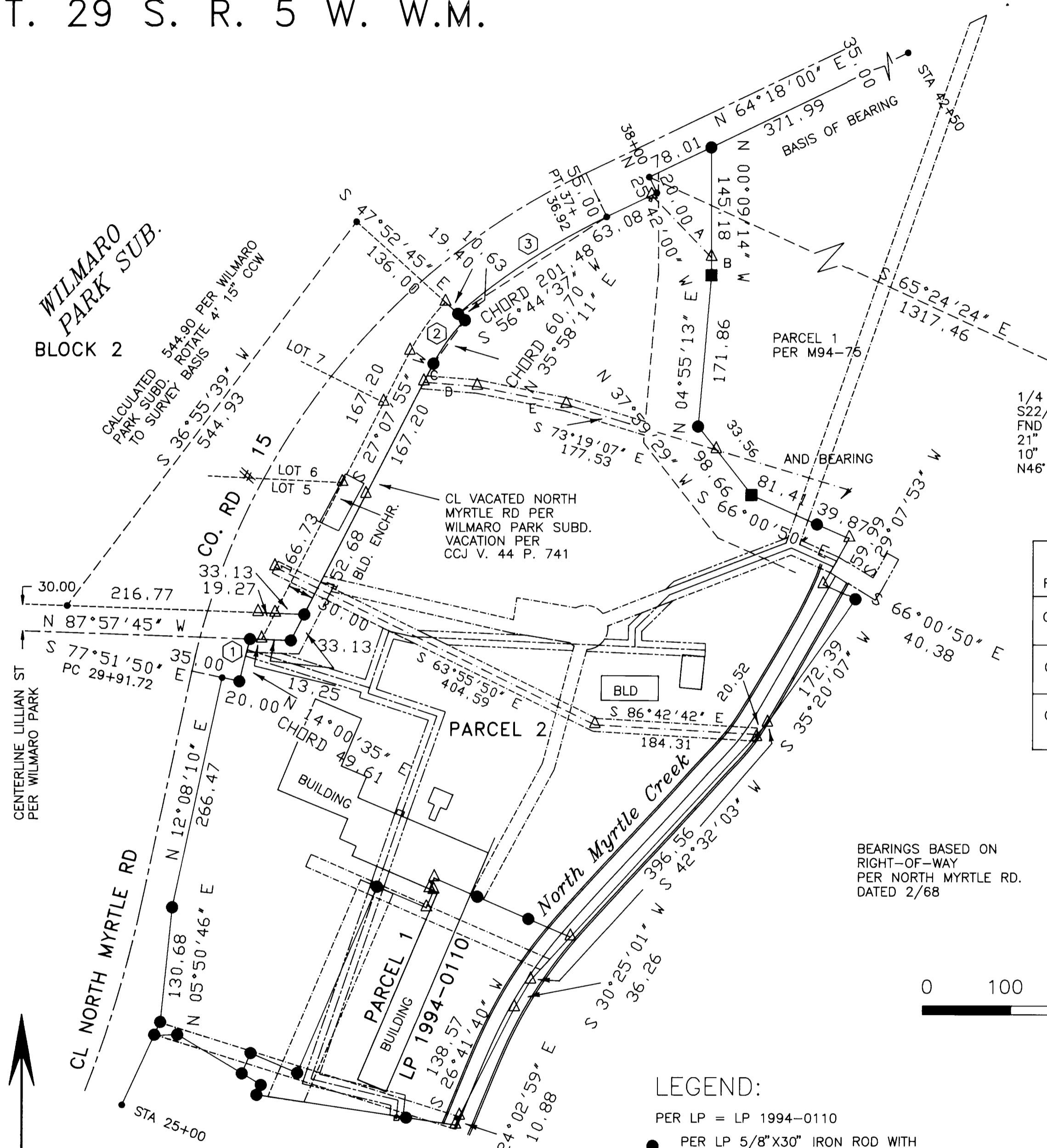
BASED ON PARTITION 1994-0110
 IN THE EAST 1/2 SECTION 22
 T. 29 S. R. 5 W. W.M.



DETAIL SCALE
 1"=50'



SEE DETAIL ABOVE

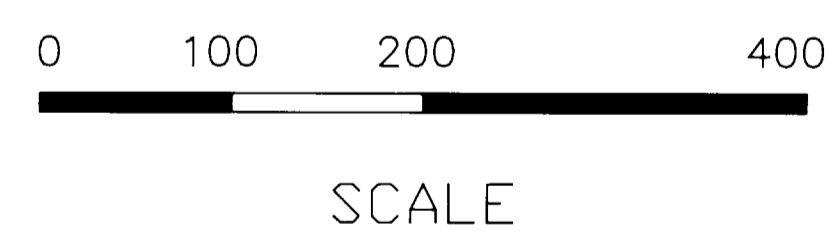


RIGHT-OF-WAY CURVE DATA	ARC	RADIUS	CENT. ANGL.
CURVE ①	49.62	763.51	3° 43' 26"
CURVE ②	60.94	197.57	17° 40' 45"
CURVE ③	202.07	763.51	15° 09' 49"

SHORT LINE INDEX FOR CENTERLINE OF 15' WIDE STORM DRAIN EASEMENT

A	N 43°51'06" W	97.95
B	N 00°09'14" W	20.06
C	S 27°07'55" W	23.78
D	N 85°30'31" W	60.83
E	N 78°48'10" W	103.12

BEARINGS BASED ON
 RIGHT-OF-WAY
 PER NORTH MYRTLE RD.
 DATED 2/68



SEE PAGE 2
 LP 1994-0110
 FOR DETAIL
 OF PARCEL 1

LEGEND:

- PER LP = LP 1994-0110
- PER LP 5/8" X 30" IRON ROD WITH 3/4" BRASS WASHER MARKED LS 866
- PER LP 7/8" IRON ROD
- PER LP 5/8" IRON ROD
- △ CALCULATED POINT
- ◆ PER LP 1" IRON PIPE
- CENTERLINE 15' STORM DRAIN EASEMENT

- EXISTING EASEMENT BOUNDARY
- NEW EASEMENT BOUNDARY
- NEW EASEMENT CENTERLINE
- NEW EASEMENT WIDTH

SURVEY NARRATIVE

PURPOSE:
 THIS SURVEY WAS MADE TO SHOW EXISTING EASEMENTS AND NEW EASEMENTS FOR A WATER LINE.

THE ATTACHED PLAT WILL BE USED AS A REFERENCE FOR THE NEW EASEMENTS.

BOUNDARY CONTROL:
 EASEMENTS ARE BASED ON RECOVERY OF SOME MONUMENTS PER LP 1994-0110.

INSTRUMENT:
 NIKON DTM A20

SURVEY, CALCULATIONS, AND DRAFTING:
 WILLIAM J. RUPPERT

EXISTING EASEMENT INSTRUMENT NUMBERS:
 98-04745
 96-11407
 96-10224
 98-13847

REGISTERED
 OREGON
 LAND SURVEYOR

 JULY 12, 1968
 WILLIAM J. RUPPERT
 866
 MY REGISTRATION
 EXPIRES 12/31/2000

CITY of MYRTLE CREEK
 NORTH MYRTLE INDUSTRIAL SITE
 LOCATION OF NEW WATER EASEMENT

DB: WJR 11/99 STEVEN M. JOHNSON PUBLIC WORKS DIR. SHEET 1 OF 1

SCALE 1"=100' DRAWING FILE GV3EA599