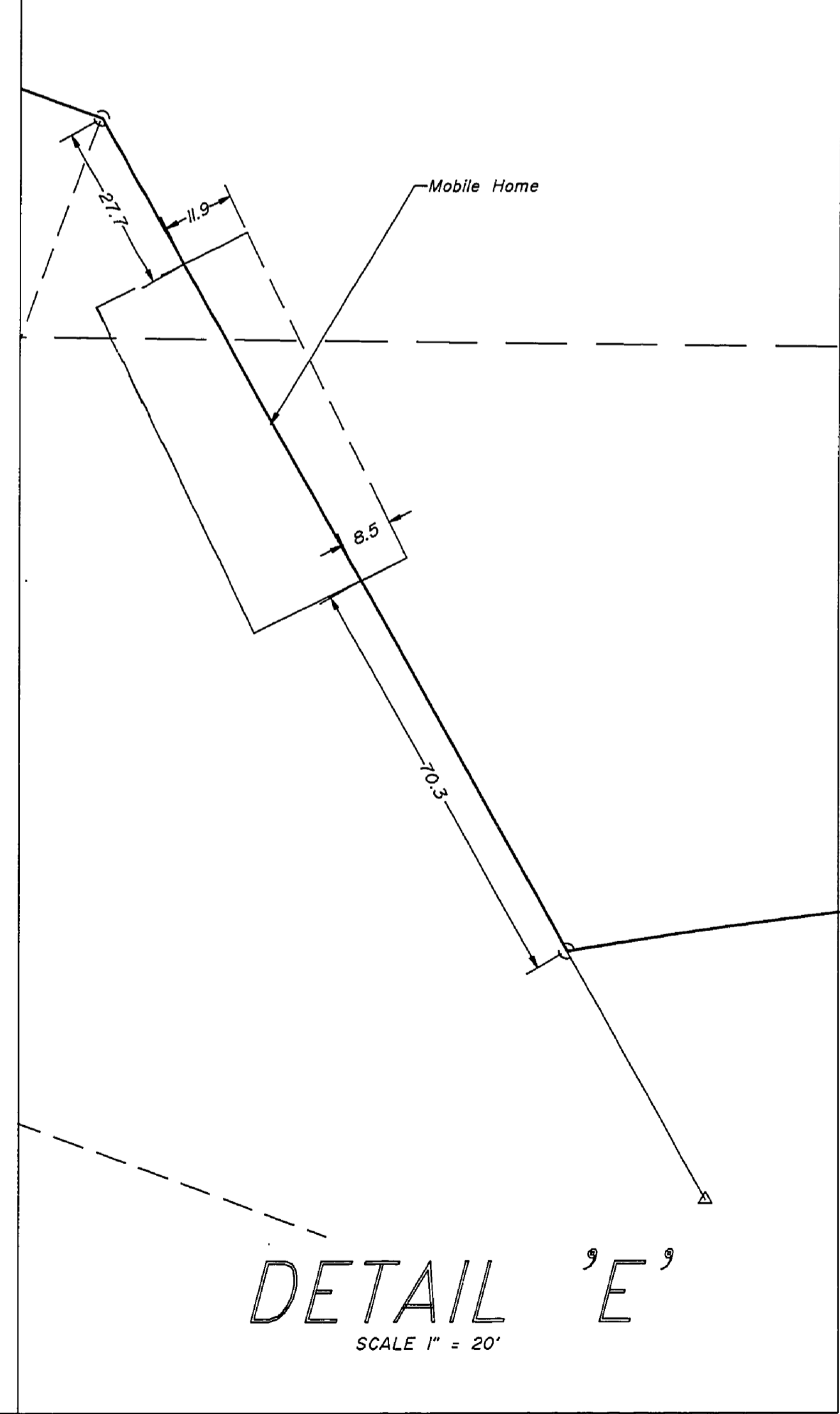
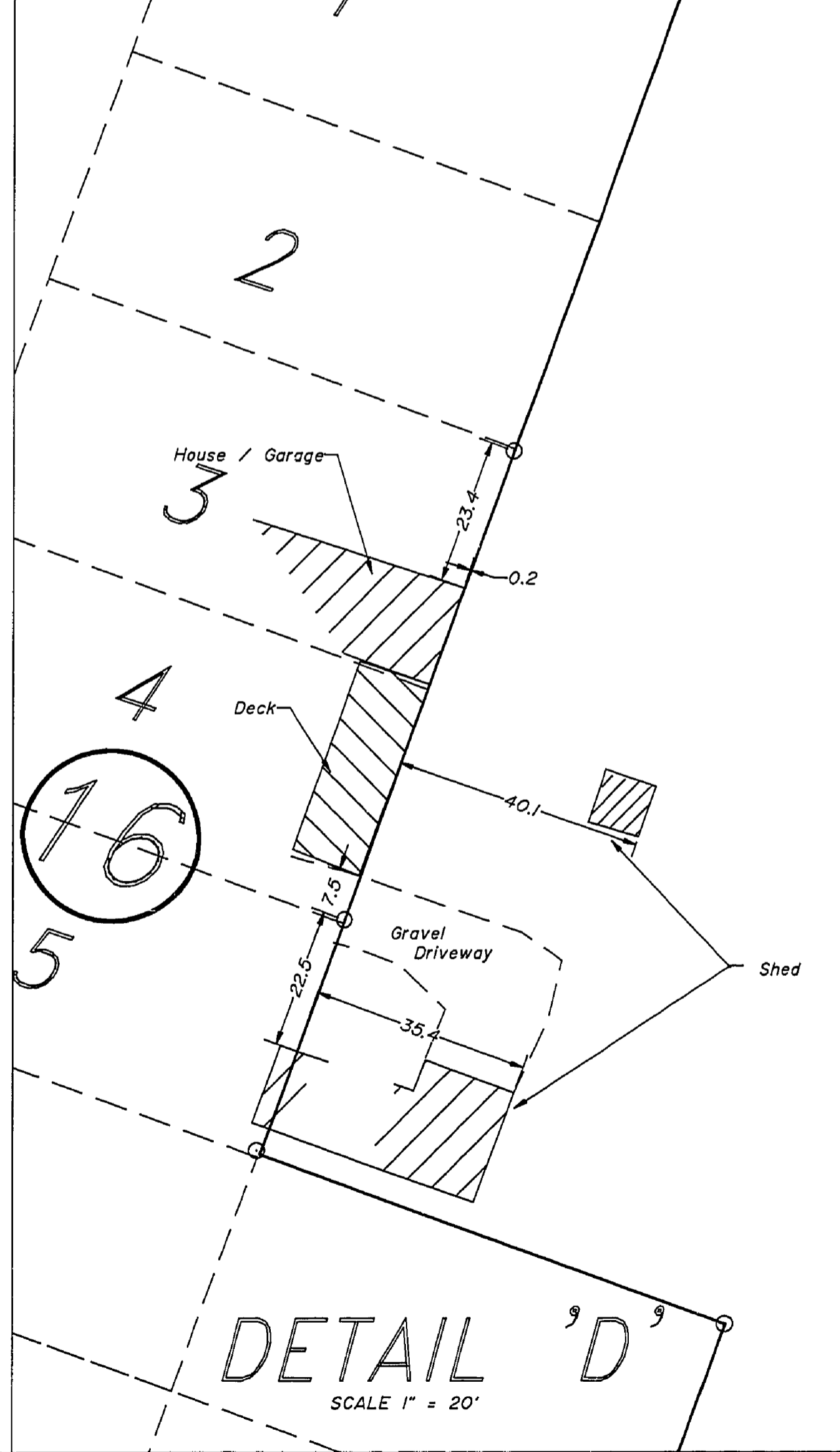
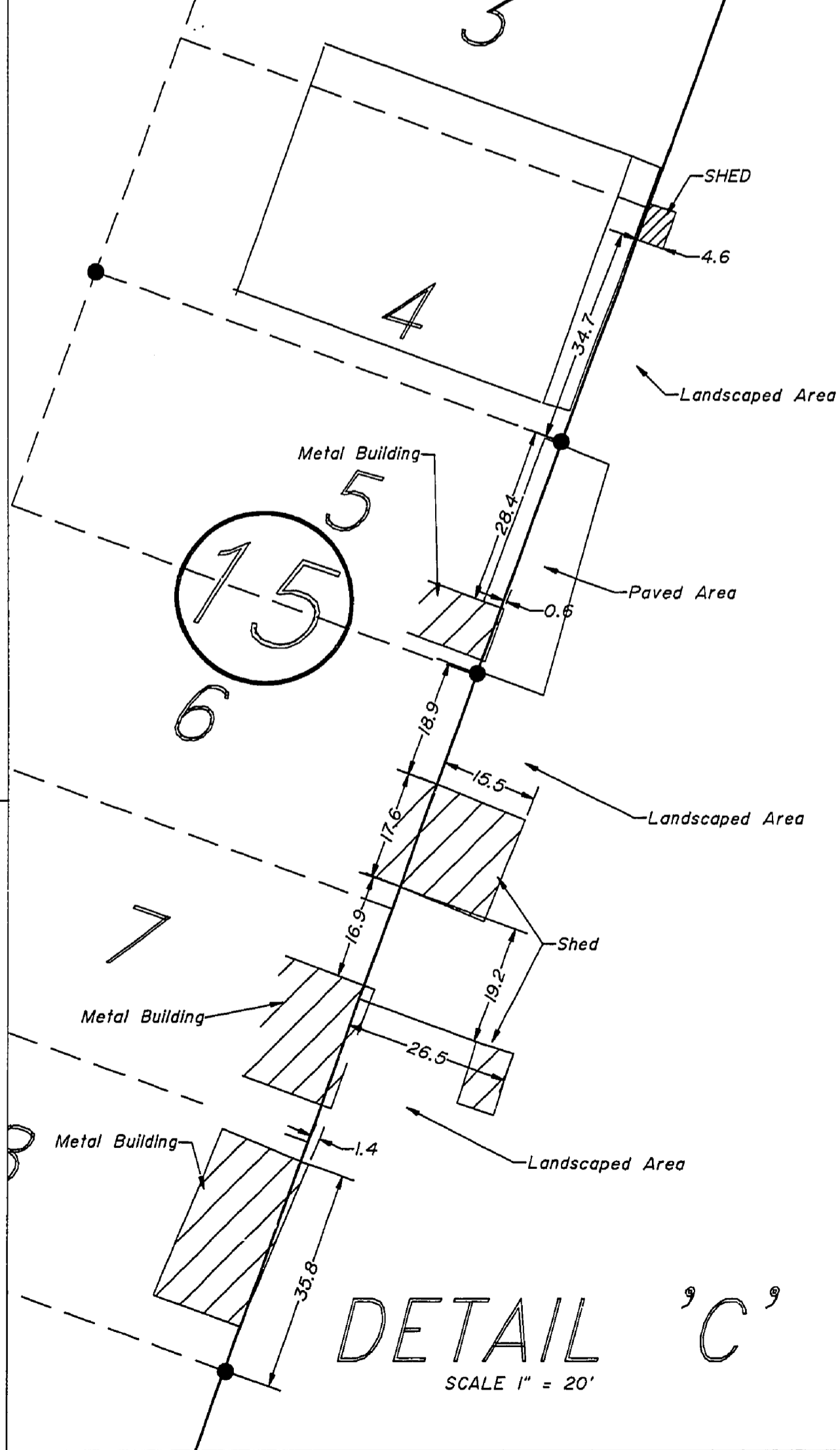
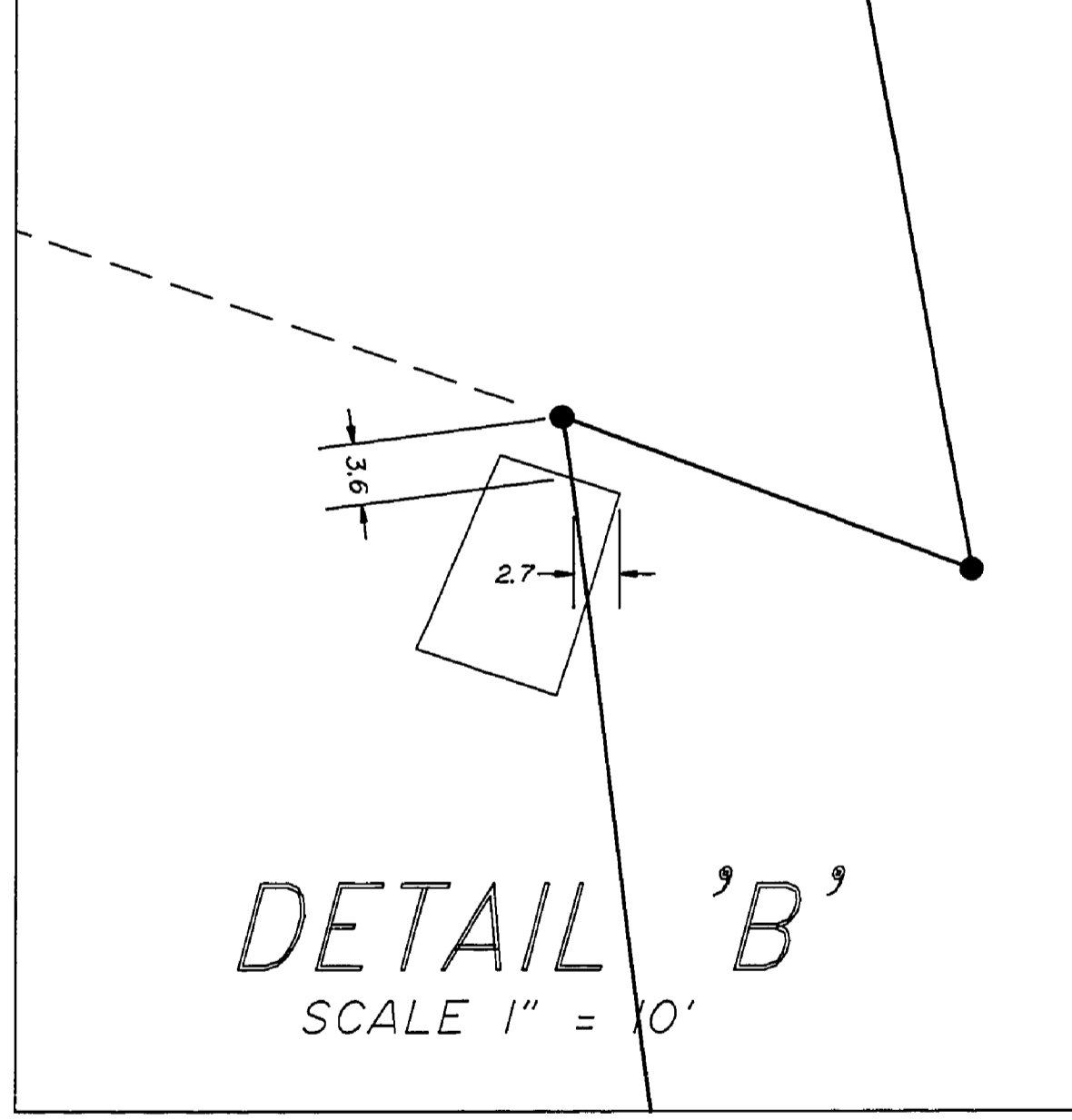
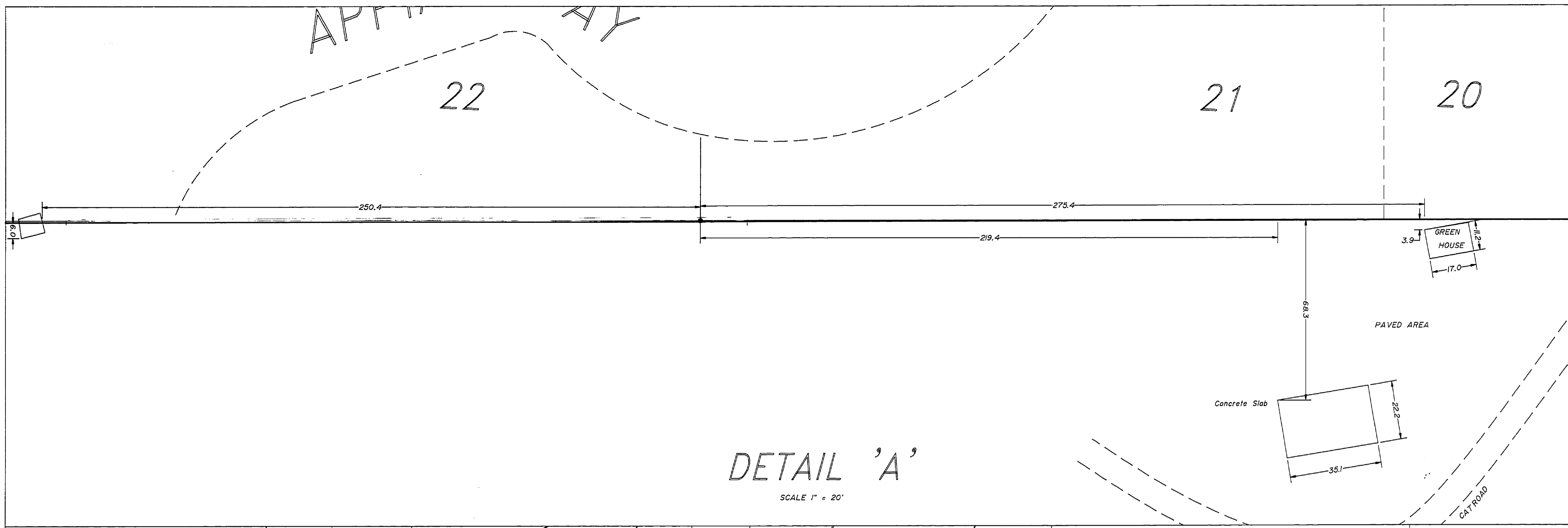


FILED
Date: 12-9-1998 By: J.C.
This survey consists of:
Mhp: M 129-27 A & B
Narrative:
Corner Rpt:
DOUGLAS COUNTY
SURVEYOR

COUNTY SURVEYORS FILE DATA
DO NOT REMOVE FROM OFFICE



- Legend
- Found 5/8" iron rod unless noted
 - Set 5/8" x 30" iron rod w/ plastic cap marked "LMS&D 2287"
 - ▲ Calculated point
 - Existing fence



REGISTERED
PROFESSIONAL
LAND SURVEYOR
Mark A. Heimbürger
OREGON
JULY 15, 1987
MARK A. HEIMBURGER
2287
EXPIRES JUNE 30, 1999

Land Mark
SURVEYING & DEVELOPMENT
727 SE Cass Ave., Suite 423
Roseburg, Oregon 97470
Tel (541) 677-9400 Fax (541) 677-9401