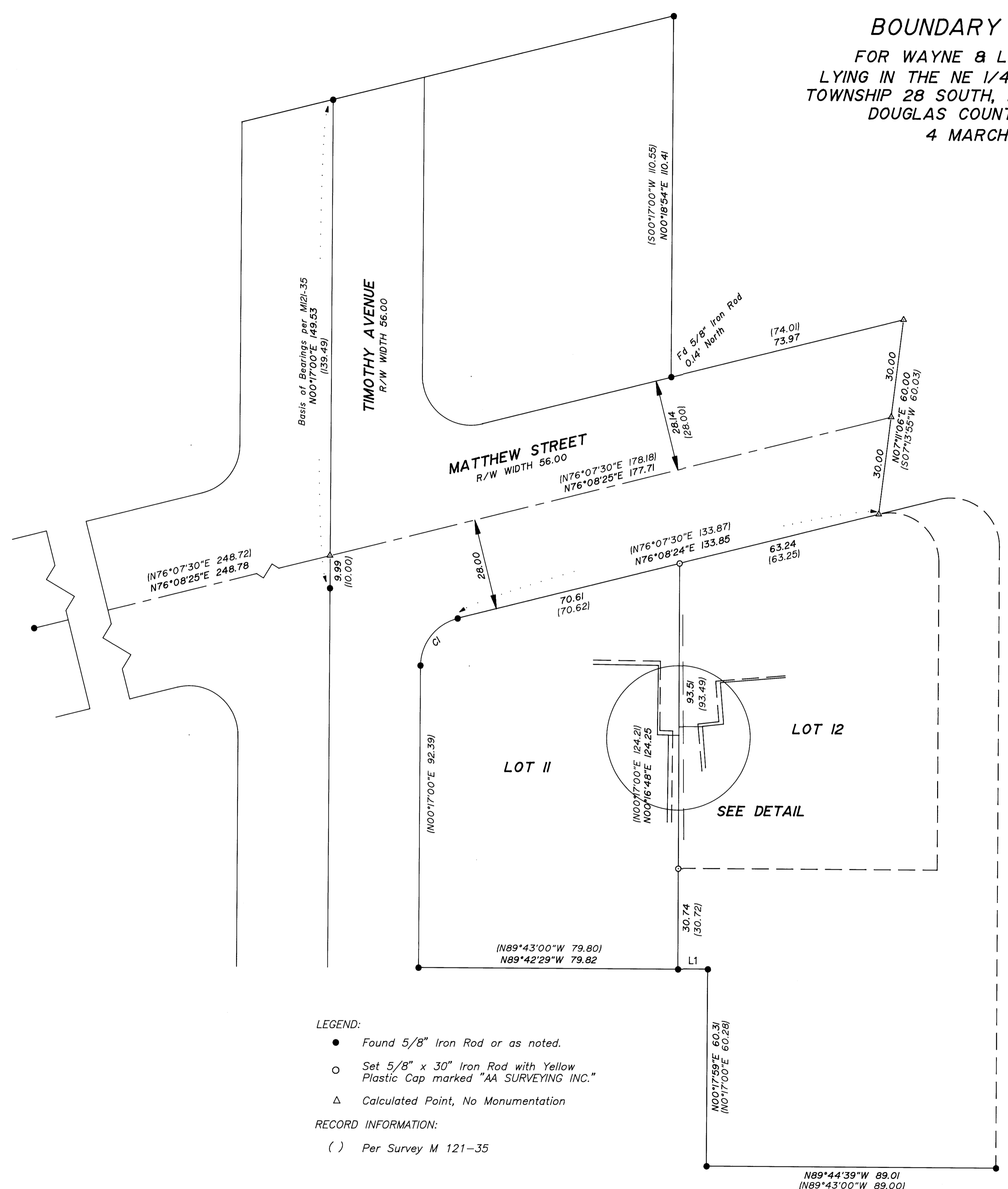


COUNTY SURVEYORS FILE DATA  
DO NOT REMOVE FROM OFFICE

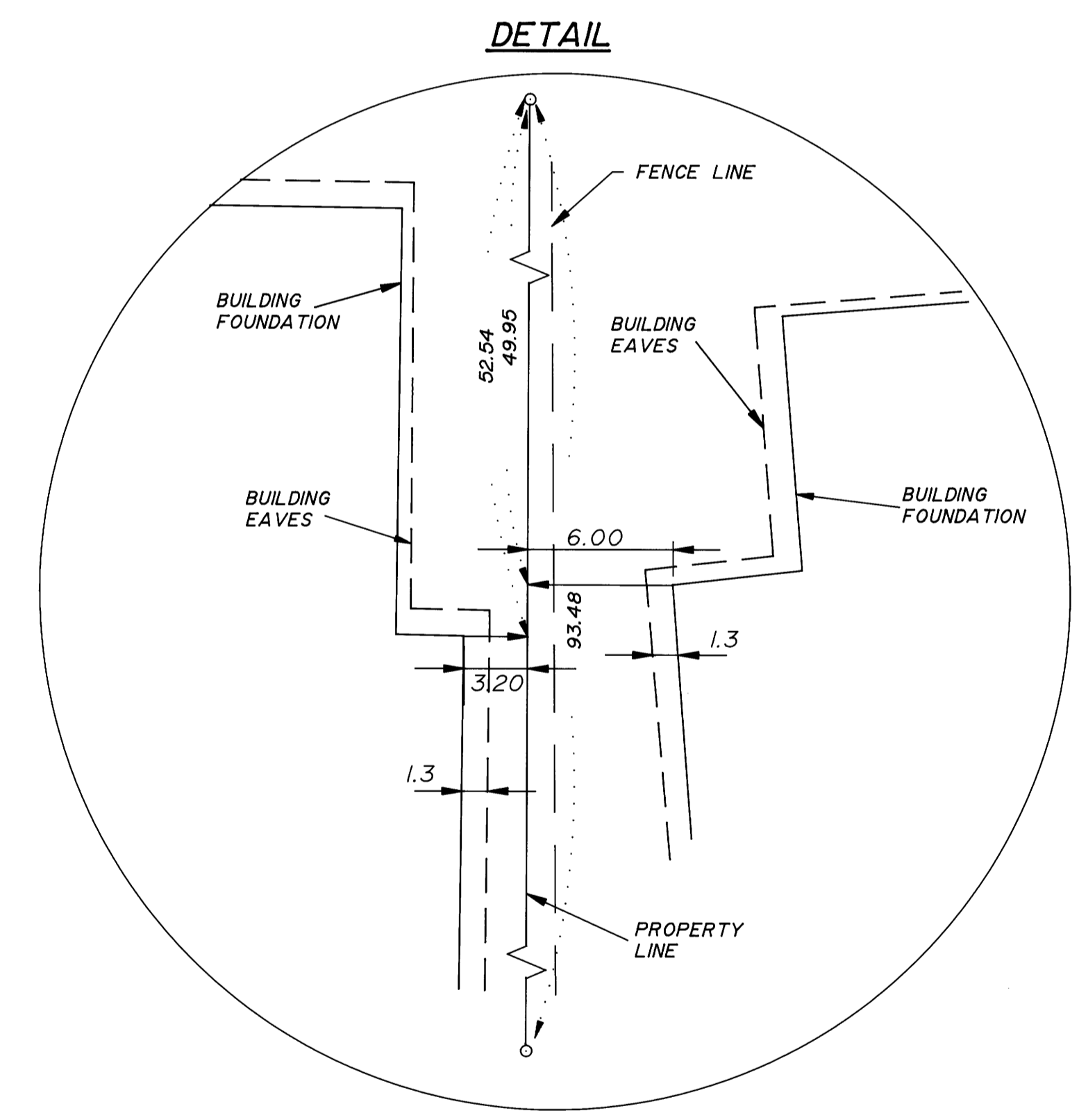
FILED  
Date: 3-12-96 by: JPH  
This survey consists of:  
Map: M 124-7  
Narrative:  
Corner Rpt:  
J. DOUGLAS COUNTY SURVEYOR

**BOUNDARY SURVEY**  
FOR WAYNE & LINDA BENNETT  
LYING IN THE NE 1/4 OF SECTION 20,  
TOWNSHIP 28 SOUTH, RANGE 6 WEST, W.M.  
DOUGLAS COUNTY, OREGON  
4 MARCH 1996

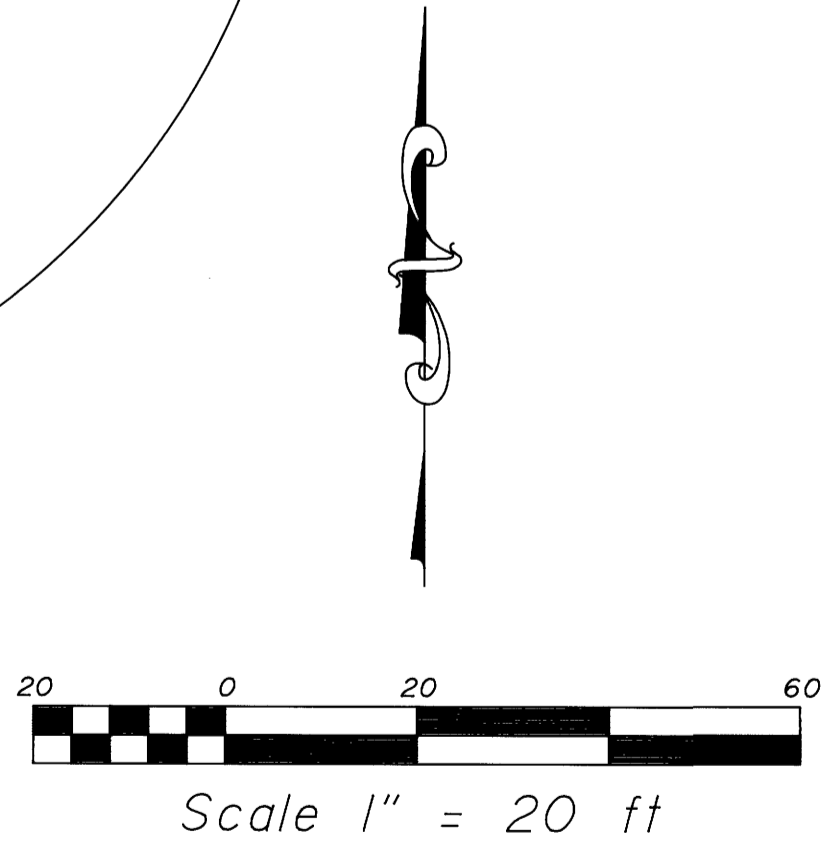


NUMBER	Delta	Radius	Length	Chord Brng	Chord
CI	75°51'25"	15.00	19.86	N38°12'42"E	18.44

NUMBER	BEARING	DISTANCE
L1	N89°33'43"W	9.20



- LEGEND:
- Found 5/8" Iron Rod or as noted.
  - Set 5/8" x 30" Iron Rod with Yellow Plastic Cap marked "AA SURVEYING INC."
  - △ Calculated Point, No Monumentation
- RECORD INFORMATION:
- ( ) Per Survey M 121-35



REGISTERED PROFESSIONAL LAND SURVEYOR  
*Mark A. Heimbürger*  
JULY 16, 1987  
MARK A. HEIMBURGER  
2287  
EXP. DATE: 6-30-97  
1755.95

**AA SURVEYING SERVICE, INC.**  
3076 EAST DIAMOND LAKE BLVD.  
ROSEBURG, OREGON 97470  
TEL (541)672-2096  
FAX (541)672-0611