

COUNTY SURVEYORS FILE DATA
DO NOT REMOVE FROM OFFICE

FILED
Date: 1-14-97 By: J.C.
This survey consists of:
Map: M 124-36
Narrative:
Corner Fpt:
DOUGLAS COUNTY SURVEYOR

SURVEY NARRATIVE:

PURPOSE: I SURVEYED AND MARKED PROPERTY CORNERS IN BLOCK 15 OF THE TOWN OF MYRTLE CREEK. I WAS PAID BY JASMINE HOLT AND JOHN LEWIS. OTHER ARRANGEMENTS WERE ALSO MADE AMONG OWNERS TO SHARE IN COST OF THE SURVEY.

CONTROL: STREET CENTER LINES WERE ESTABLISHED FROM OTHER SURVEYS AND MONUMENTS AS SHOWN. BLOCK CORNERS WERE THEN ESTABLISHED BY ALLOWING FULL 60 FOOT RIGHT-OF-WAY. LOTS WERE THEN PROPORTIONED AS SHOWN ON THE BASIS OF THE PROPORTIONING DIAGRAM. DEDICATED RIGHT-OF-WAY ON DIVISION STREET PER OREGON STATE HIGHWAY CENTER LINE WAS THEN EXCEPTED. SEE ALSO DEEDS 88-7503 AND 88-7493. NOTE THAT THE TOWN OF MYRTLE CREEK CENTER LINE AND OSHD CENTER LINE INTERSECT, HENCE THE DIFFERENCE IN BEARINGS ALONG THE NORTH LINE OF LOT 6. HOWEVER ONLY 28 FEET OF RIGHT-OF-WAY FEET ARE DEDICATED PER DEED 88-7503 IN LOT 4, THEREFORE THE TOWN OF MYRTLE CREEK CENTERLINE CONTROLS HERE.

BEARINGS ARE BASED NORTH 89° 56' 33" WEST PER M 124-9 FROM THE SECTION CORNER TO THE MONUMENT AT THE CENTERLINE OF DIVISION AND THIRD STREETS.

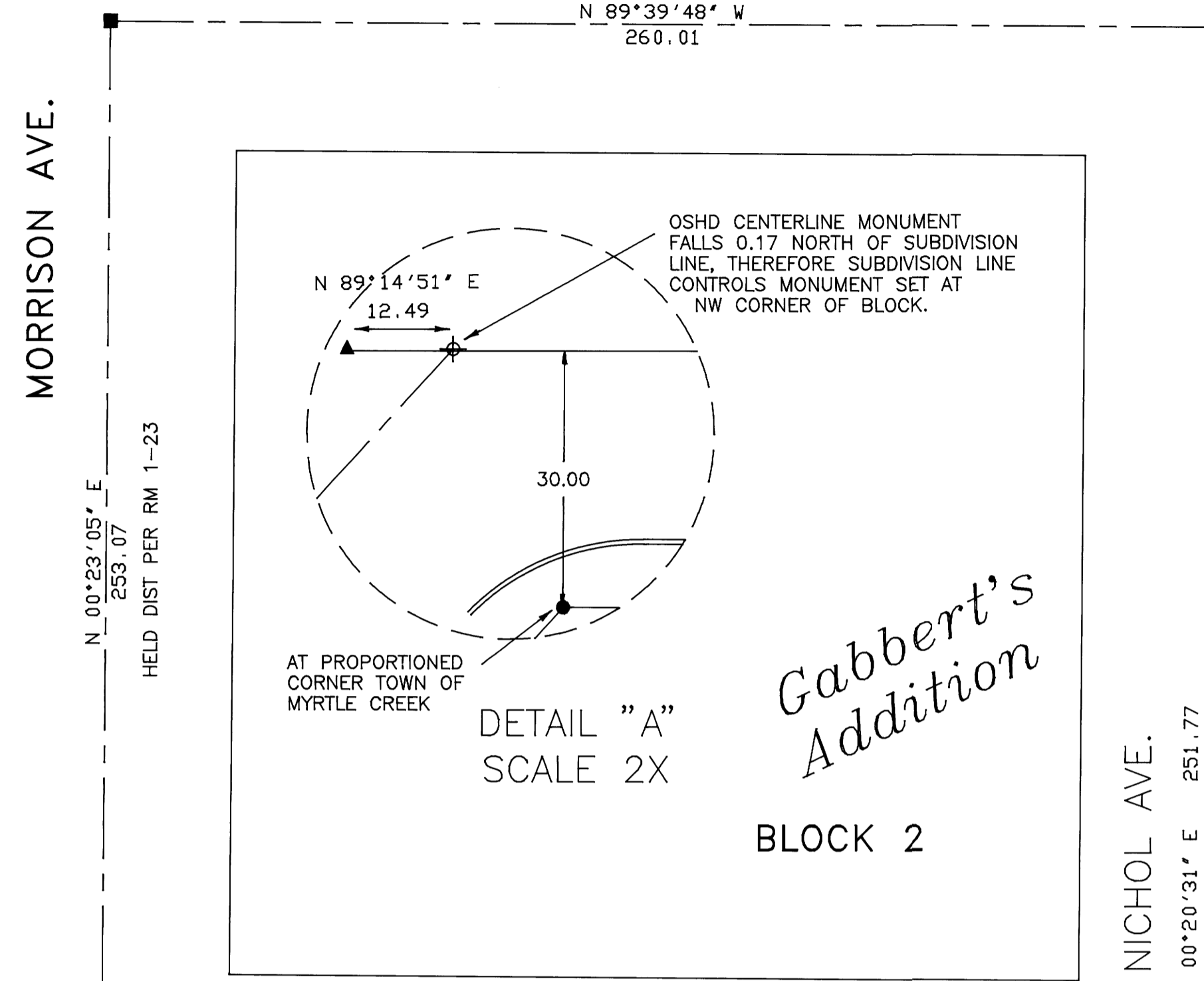
SURVEY, COMPUTATIONS, AND DRAFTING BY WILLIAM J. RUPPERT

INSTRUMENTS: MAC II EDM, LIETZ T60D THEODOLITE, AND 100 FT. STEEL TAPE.

NOTE: CURB MEASUREMENTS
TAKEN TO FACE OF CURB

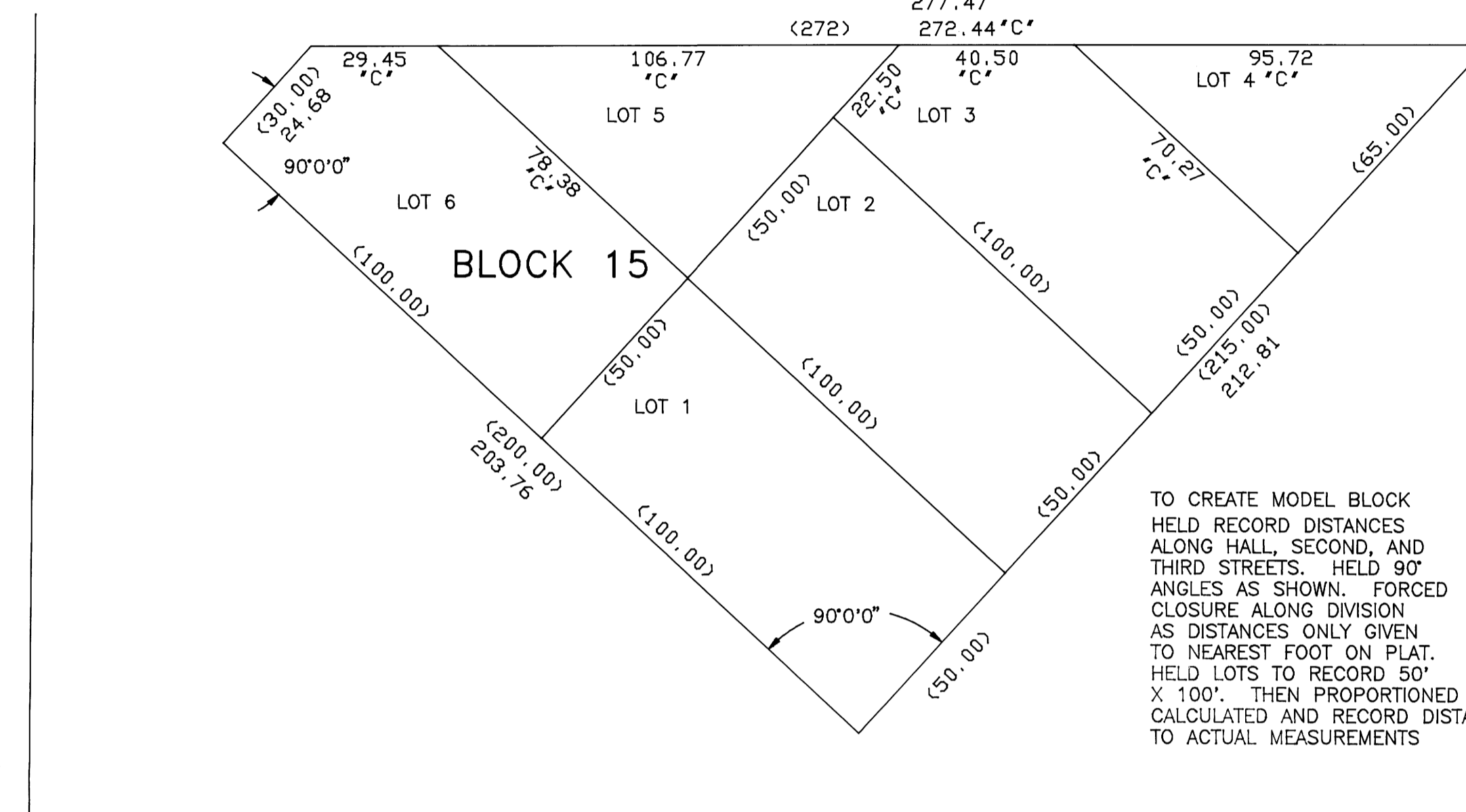
FOUND ALUMINUM CAP WITH PUNCH
MARK IN BOX PER SURVEY M 124-29

HEARD STREET

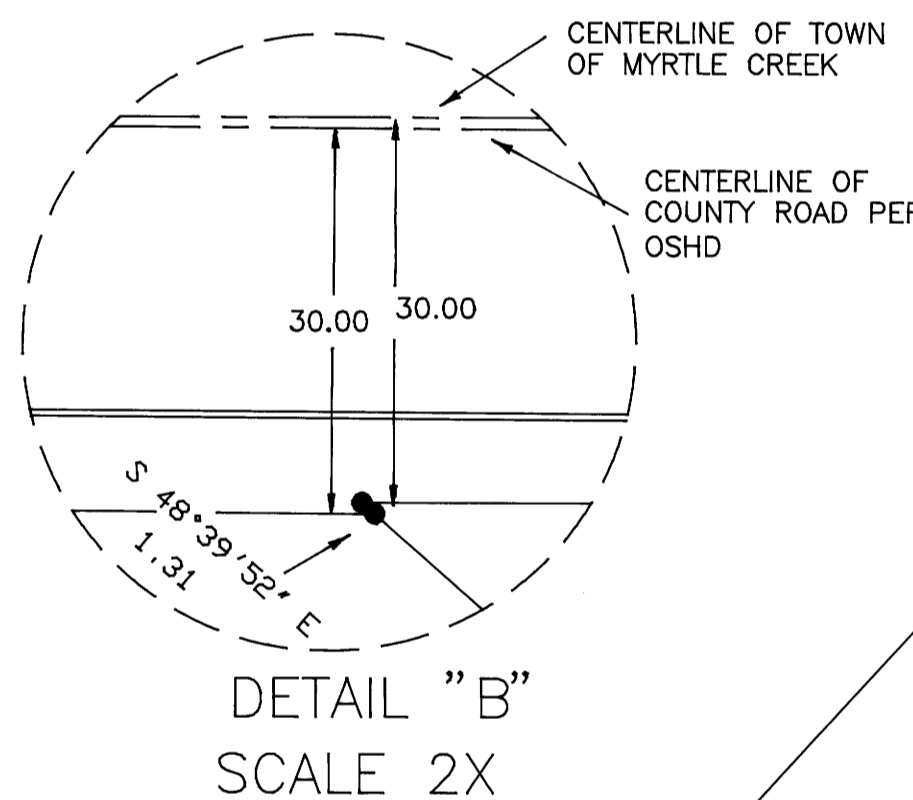


FOUND ALUMINUM CAP WITH PUNCH
MARK IN BOX. RECOVERED BY CITY
OF MYRTLE CREEK FROM MONUMENT
PER RM 1-23. SEE SURVEY M 124-9

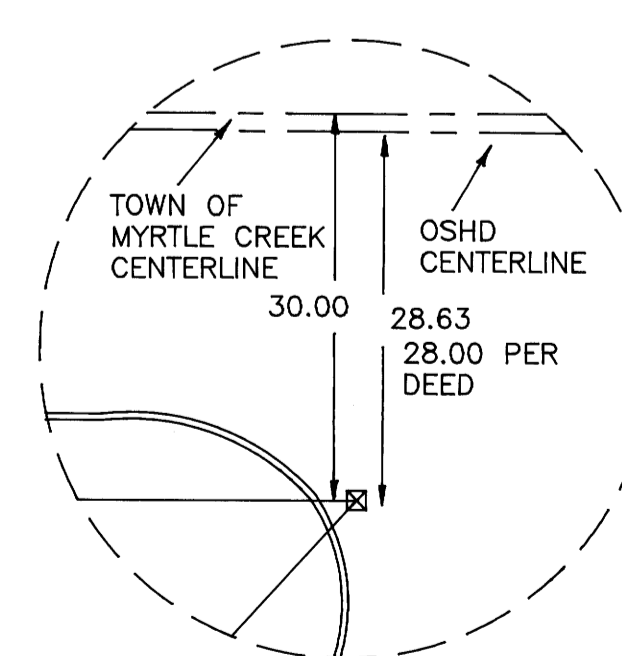
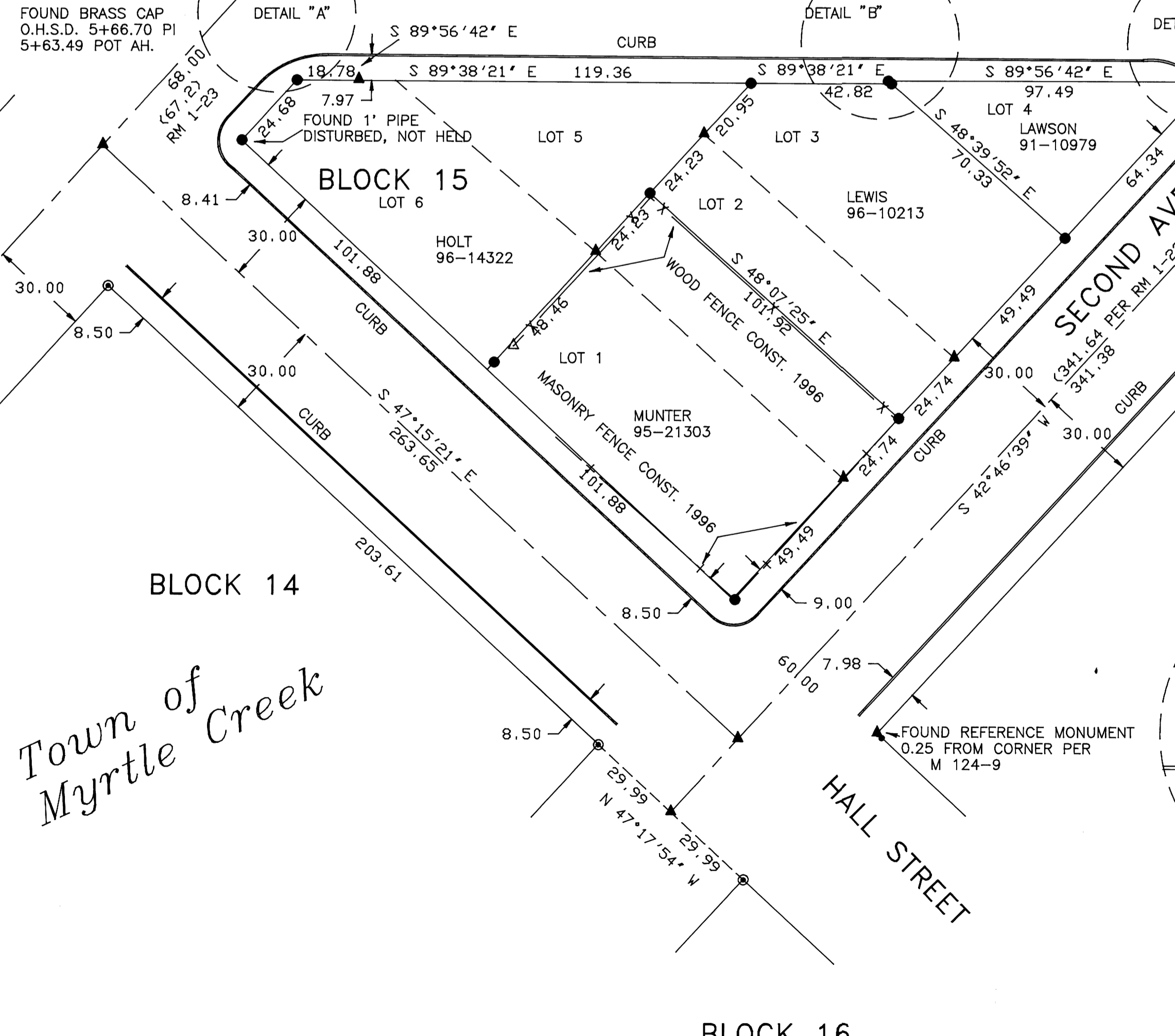
BASIS OF PROPORTIONING



TO CREATE MODEL BLOCK
HELD RECORD DISTANCES
ALONG HALL, SECOND, AND
THIRD STREETS. HELD 90°
ANGLES AS SHOWN. FORCED
CLOSURE ALONG DIVISION
AS DISTANCES ONLY GIVEN
TO NEAREST FOOT ON PLAT.
HELD LOTS TO RECORD 50'
X 100'. THEN PROPORTIONED
CALCULATED AND RECORD DISTANCES
TO ACTUAL MEASUREMENTS

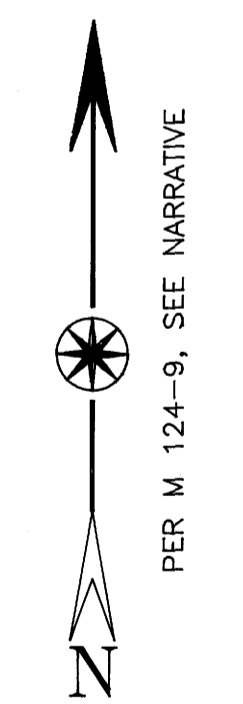


FOUND BRASS CAP
O.S.H.D. 5+66.70 PI
5+63.49 POT AH.



LEGEND

- ☒ SET 5/8" x 12" CHISEL MARKED " 866" IN PAVEMENT
- SET 5/8" IRON ROD WITH 3/4" BRASS WASHER LS 866
- ⊙ FOUND 1" IRON PIPE
- ⊕ FOUND BRASS CAP MARKED FOR SECTION CORNER 21, 22, 27 & 28
- ⊕ FOUND BRASS CAP PER O.S.H.D. FOR CENTERLINE DIVISION ST.
- FOUND 5/8" IRON ROD
- ▲ CALCULATED POINT
- < > RECORD PER TOWN OF MYRTLE CREEK OR AS SHOWN
- FOUND 1.5" AL CAP IN WATER VALVE BOX
- X - WOOD FENCE
- *C* CALCULATED DISTANCE
- + - MASONRY FENCE



Surveyed for:

JOHN B. LEWIS
JASMINE HOLT

in NE 1/4 S. 28 T29S, R5W, WM

REGISTERED
OREGON
LAND SURVEYOR

William J. Ruppert
JULY 12, 1968
WILLIAM J. RUPPERT
866

MY REGISTRATION
EXPIRES 12/31/1998

Surveyed by:

WILLIAM J. RUPPERT
P.O. BOX 1564
MYRTLE CREEK, OR 97457

SCALE 1"=30' DECEMBER 1996
SHEET 1 OF 1