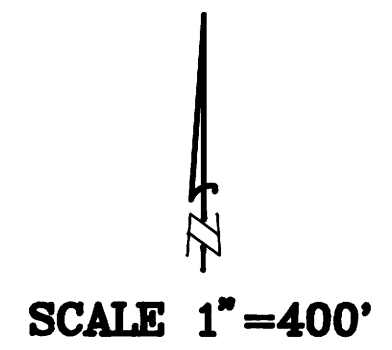


COUNTY SURVEYORS FILE DATA
 DO NOT REMOVE FROM OFFICE

MAP FILE M.122-58

1/4 CORNER 20, 29

FOUND: G.L.O. BRASS CAP DATED 1950
 24" FIR, N 49 E, 92.4 FT., VISIBLE SCRIBING
 RECORD: N 49 E, 92.4 FT. - 1991 DOUGLAS CO.
 5" ASH, S 63 E, 7.8 FT., VISIBLE SCRIBING
 RECORD: S 63-1/2 E, 7.8 FT. - 1991 DOUGLAS CO.
 13" FIR, N 80 W, 55.9 FT., VISIBLE SCRIBING
 RECORD: N 80-1/2 W, 55.8 FT. - 1991 DOUGLAS CO.



- NARRATIVE -

THIS SURVEY WAS MADE IN JULY AND AUGUST 1995 BY DANIEL W. BAKER OF BAKER AND ASSOCIATES, SURVEYORS, OF EUGENE, OREGON. THE PURPOSE OF THIS SURVEY WAS TO LOCATE AND MARK IN THE FIELD THE PROPERTY LINES OF DUANE DEBS OWNERSHIP IN SECTION 29, TOWNSHIP 24 SOUTH, RANGE 3 WEST, W.M. CLOSED RANDOM TRAVERSES WERE RUN BETWEEN FOUND CORNERS WITH A WILD T1000 THEODOLITE, WITH A D115 EDM, WITH A MINIMUM ERROR OF CLOSURE OF BETTER THAN 1:10000. THE BASIS OF BEARING FOR THIS SURVEY WAS SOLAR OBSERVATION PER CSF NO. M113-43 WHICH WAS ALSO THE BASIS OF BEARING FOR CSF NO. M121-58, BOTH OF WHICH ARE PREVIOUS SURVEYS DONE BY THIS COMPANY. CORNERS SET IN THIS SURVEY ARE 5/8" X 30" REBARS WITH YELLOW PLASTIC CAPS MARKED "D.W.BAKER PLS 1978". 6 FOOT METAL FENCE POSTS WERE SET AT RANDOM INTERVALS ALONG THE NORTH PROPERTY LINE.

A MONUMENT WAS ALSO SET FOR TOM TAKAHASHI, OWNER OF TAX LOT NO. 24-03-29-1400. THE MONUMENT WAS SET ON THE WESTERLY EDGE OF NON-PARIEL ROAD ON LINE BETWEEN THE CENTER SOUTH 1/16 AND THE SOUTHWEST 1/16 ON THE NORTH LINE OF SAID TAX LOT.

BEARING TREES WITHOUT RECORD WERE SET IN CSF NO. M121-58

NW 1/16 CORNER 29

FOUND: BRASS CAP DATED 1994 (CSF NO. M121-58)
 10" FIR, S 86 E, 6.6 FT.
 11" FIR, N 46 W, 3.6 FT.
 6' FENCEPOST 1' SOUTH

CW 1/16 CORNER

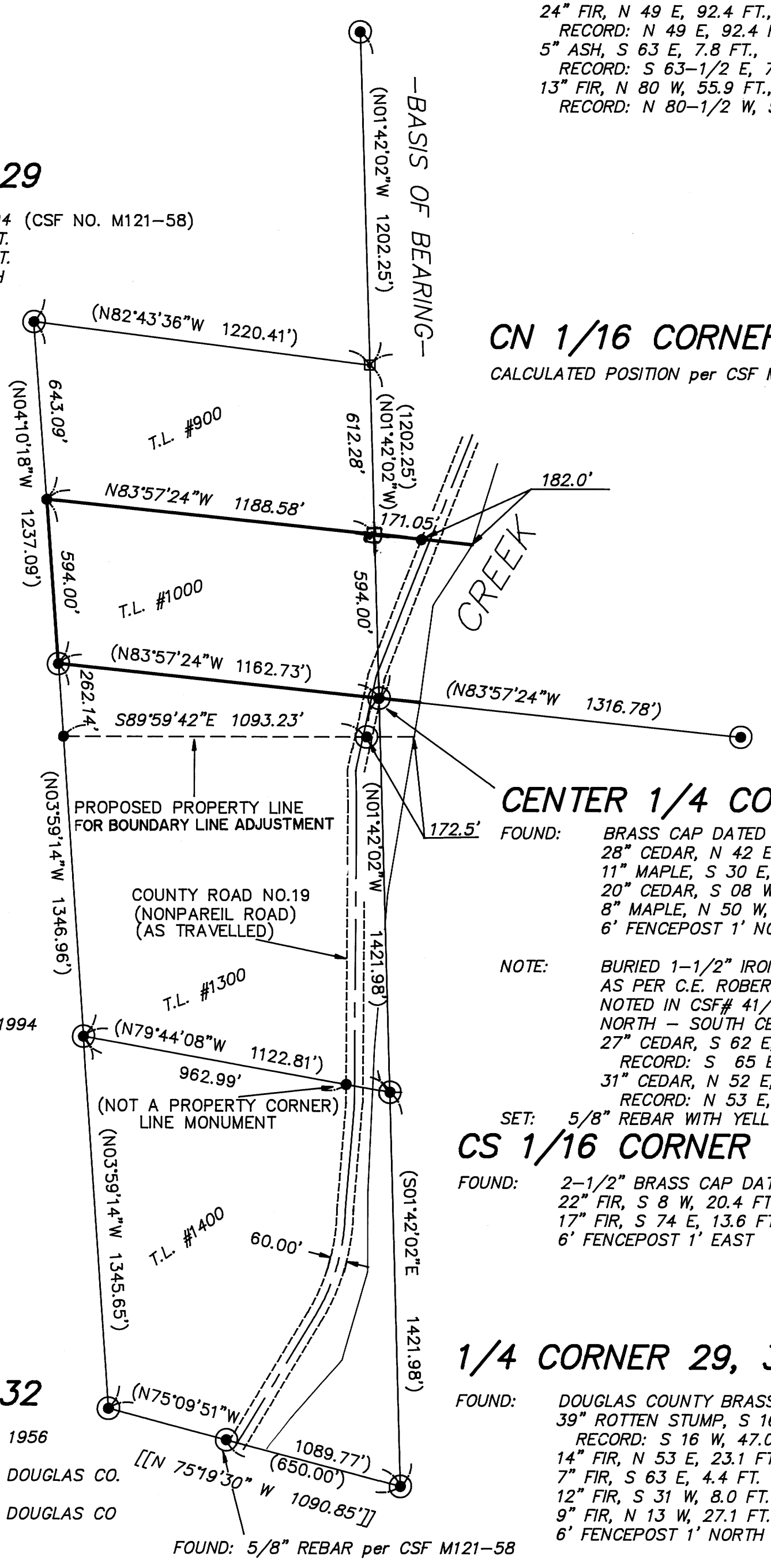
FOUND: BRASS CAP DATED 1994
 10" FIR, S 17 E, 17.4 FT.
 12" FIR, N 87 W, 22.5 FT.
 6' FENCEPOST 1' NORTH
 (CSF NO. M121-58)

SW 1/16 CORNER

FOUND: 2-1/2" BRASS CAP DATED 1994
 6" FIR, N 2 E, 22.7 FT.
 8" FIR, N 72 W, 16.7 FT.
 6' FENCEPOST 2' SOUTH
 (CSF NO. M121-58)

WEST 1/16 CORNER 29, 32

FOUND: DOUGLAS COUNTY BRASS CAP DATED 1956
 10" RED FIR, N 35 E, 27.4 FT.
 RECORD: N 32 E, 27.4 FT. - 1956 DOUGLAS CO.
 26" CEDAR, S 20 W, 67.0 FT.
 RECORD: S 23 W, 64.1 FT. - 1956 DOUGLAS CO
 17" ALDER, N 38 E, 7.9 FT.
 16" ALDER, N 30 W, 24.7 FT.
 6' FENCEPOST 1' NORTH



CN 1/16 CORNER

CALCULATED POSITION per CSF M121-58

CE 1/16 CORNER

FOUND: 2-1/2" BRASS CAP DATED 1994
 12" FIR, S 50 W, 10.9 FT.
 20" FIR, S 7 E, 25.7 FT.
 6' FENCEPOST 1' NORTH
 (CSF NO. M121-58)

CENTER 1/4 CORNER 29

FOUND: BRASS CAP DATED 1994 (CSF NO. M121-58)
 28" CEDAR, N 42 E, 25.0 FT.
 11" MAPLE, S 30 E, 14.4 FT.
 20" CEDAR, S 08 W, 24.0 FT.
 8" MAPLE, N 50 W, 5.8 FT.
 6' FENCEPOST 1' NORTH

NOTE: BURIED 1-1/2" IRON PIPE SET BY A.R. EVANS IN CSF# 41/100 AS PER C.E. ROBERTS SURVEY, F.B.#7, PAGE 7 NOTED IN CSF# 41/293 AND CSF# M1-18 AS MIDPOINT OF NORTH - SOUTH CENTERLINE BEARS S 17°50'43" W, 146.23 FT.
 27" CEDAR, S 62 E, 32.3 FT.
 RECORD: S 65 E, 33.5 FT. - EVANS 1952
 31" CEDAR, N 52 E, 28.0 FT.
 RECORD: N 53 E, 28.6 FT. - EVANS 1952
 SET: 5/8" REBAR WITH YELLOW CAP AT SURFACE

CS 1/16 CORNER

FOUND: 2-1/2" BRASS CAP DATED 1994 (CSF NO. M121-58)
 22" FIR, S 8 W, 20.4 FT.
 17" FIR, S 74 E, 13.6 FT.
 6' FENCEPOST 1' EAST

1/4 CORNER 29, 32

FOUND: DOUGLAS COUNTY BRASS CAP DATED 1956
 39" ROTTEN STUMP, S 16 W, 47.0 FT., VISIBLE SCRIBING
 RECORD: S 16 W, 47.0 FT., 1956 DOUG. CO.
 14" FIR, N 53 E, 23.1 FT.
 7" FIR, S 63 E, 4.4 FT.
 12" FIR, S 31 W, 8.0 FT.
 9" FIR, N 13 W, 27.1 FT.
 6' FENCEPOST 1' NORTH

BASIS OF BEARING: NORTH-SOUTH CENTERLINE AS PER CSF NO. M121-58

- LEGEND
- ⊙ - CORNERS FOUND (AS NOTED)
 - - CORNERS SET - 5/8" X 30" REBARS WITH YELLOW PLASTIC CAPS MARKED "D.W.BAKER PLS 1978" unless noted otherwise.
 - ⊠ - CALCULATED POINT (NOT SET)
 - - PROPERTY LINE
 - () - RECORD DATA - CSF NO. M121-58
 - [] - RECORD DATA - 1956 DOUGLAS COUNTY

REGISTERED PROFESSIONAL LAND SURVEYOR

DANIEL W. BAKER
 1978

EXPIRES 12/31/95

TAX LOT NO. 24-03-29-1000
 DEED REFERENCE - BOOK 1008, PAGE 023,
 DOUGLAS COUNTY OFFICIAL RECORDS

SURVEY IN	
ALL QRTS. SEC. 29, T24S, R3W, W.M.	
DOUGLAS COUNTY, OREGON	
CLIENT:	DUANE DEBS
DRAWN BY: KRC	BAKER AND ASSOCIATES, SURVEYORS 1385 OAK STREET - SUITE 3 EUGENE, OREGON (503) 343-7243
DATE: 9/15/95	
FILE: DEBS	

MAP FILE M.122-58