

RESURVEY & SUBDIVISION OF NE 1/4 SECTION 32, T 30 S, R 2 W, W. M., DOUGLAS COUNTY, OREGON

FOR ROSEBURG RESOURCES CO
BY MARK F. SMALLEY
ROSEBURG RESOURCES CO
P. O. BOX 1088
ROSEBURG, OREGON

SCALE: 1" = 200'

LEGEND

- ⊙ MONUMENT FOUND AS NOTED
- SET 5/8" IRON ROD & ALUM CAP MARKED LS 2354
- R/W MONUMENT
- SECTION OR PROPERTY LINE
- - - SUBDIVISION LINE
- HIGHWAY R/W LINE
- LINE BLAZED, PAINTED & MARKED WITH STEEL FENCE POSTS

RECORD DATA

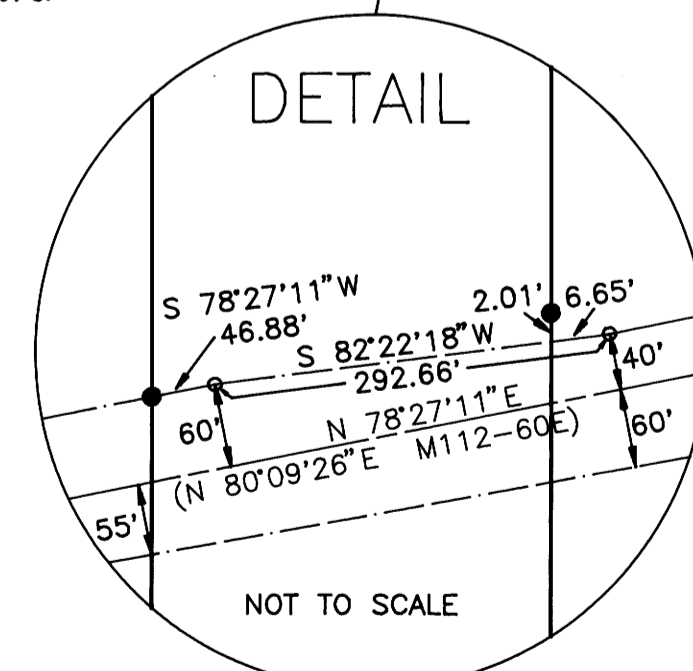
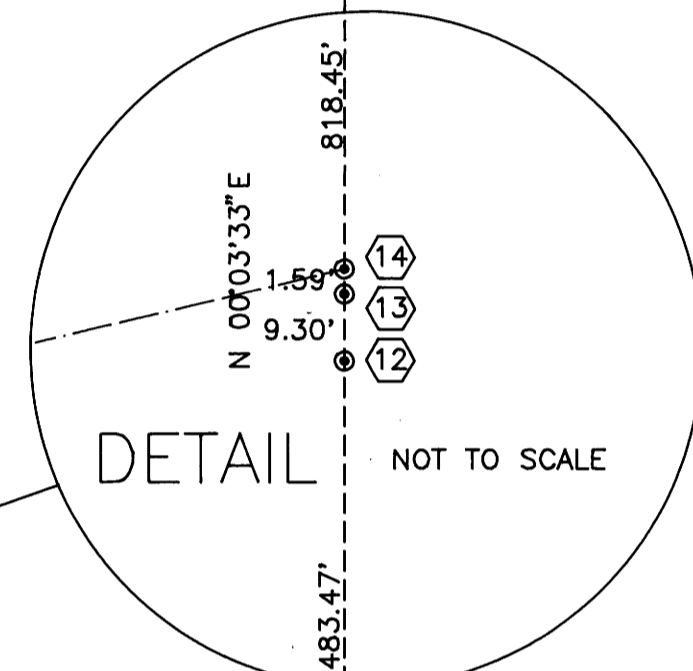
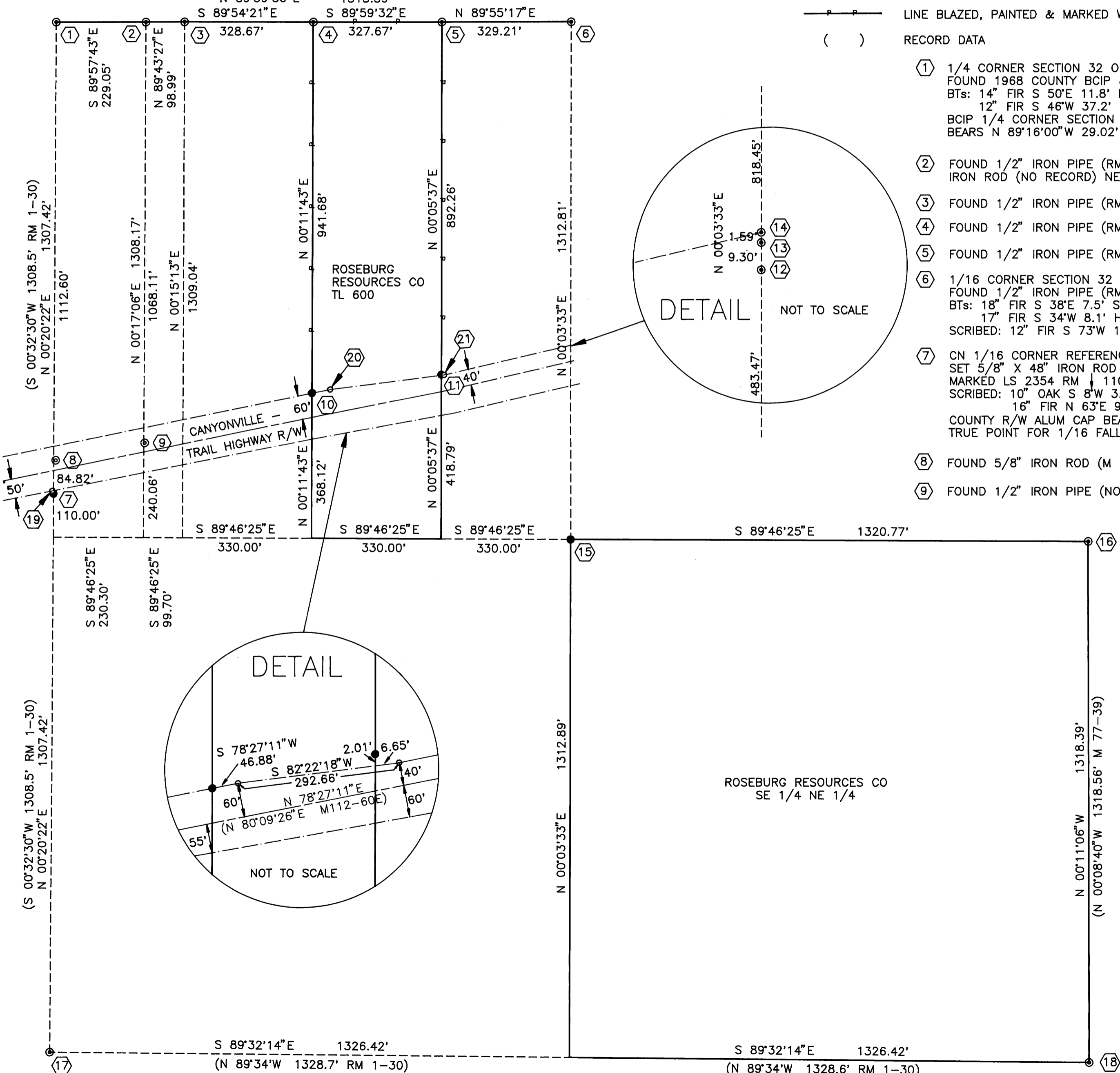
- ① 1/4 CORNER SECTION 32 ONLY
FOUND 1968 COUNTY BCIP & STONE
BTs: 14" FIR S 50°E 11.8' HEALED
12" FIR S 46°W 37.2' HEALED
BCIP 1/4 CORNER SECTION 29 ONLY
BEARS N 89°16'00"W 29.02'
- ② FOUND 1/2" IRON PIPE (RM 1-30) & 5/8" IRON ROD (NO RECORD) NEXT TO PIPE
- ③ FOUND 1/2" IRON PIPE (RM 1-30)
- ④ FOUND 1/2" IRON PIPE (RM 1-30)
- ⑤ FOUND 1/2" IRON PIPE (RM 1-30)
- ⑥ 1/16 CORNER SECTION 32 ONLY
FOUND 1/2" IRON PIPE (RM 1-30)
BTs: 18" FIR S 38°E 7.5' STUMP
17" FIR S 34°W 8.1' HEALED
SCRIBED: 12" FIR S 73°W 17.4' "E 1/16 S 32 BT"
- ⑦ CN 1/16 CORNER REFERENCE MONUMENT
SET 5/8" X 48" IRON ROD & ALUM CAP
MARKED LS 2354 RM 110'
SCRIBED: 10" OAK S 8°W 3.7' "1/16 RM BT"
16" FIR N 63°E 9.6' "1/16 RM BT"
COUNTY R/W ALUM CAP BEARS N 23°46'02"W 8.13'
TRUE POINT FOR 1/16 FALLS IN SOUTH UMPQUA RIVER
- ⑧ FOUND 5/8" IRON ROD (M 96-39) 5.02 EAST OF LINE
- ⑨ FOUND 1/2" IRON PIPE (NO RECORD) 1.89' EAST OF LINE

- ⑩ SET 5/8" X 48" IRON ROD & ALUM CAP AT INTERSECTION PROPERTY LINE WITH R/W LINE MARKED LS 2354 PROPERTY LINE COUNTY R/W ALUM CAP BEARS N 78°27'11"E 46.88'
- ⑪ SET 5/8" X 48" IRON ROD & ALUM CAP 2.01' NORTH OF R/W LINE MARKED LS 2354 PROPERTY LINE CAMSHAFT (NO RECORD) BEARS S 20°04'43"W 11.60' COUNTY R/W ALUM CAP BEARS S 80°17'52"E 6.69'
- ⑫ FOUND 1" IRON PIPE (RM 1-30) 0.07 EAST OF LINE
- ⑬ 1" IRON PIPE (RM 1-30) 0.70 WEST OF LINE
- ⑭ 5/8" IRON ROD & PLASTIC CAP MARKED PLS 2417 (M121-55) 0.67 WEST OF LINE
- ⑮ NE 1/16 CORNER
SET 5/8" X 48" IRON ROD & ALUM CAP MARKED LS 2354 IN CAT ROAD, FOUND NO EVIDENCE OF EVANS' CORNER
SCRIBED: 9" FIR N 50°E 22.7' "NE 1/16 BT"
15" HEMLOCK N 39°W 32.4' "NE 1/16 BT"
- ⑯ N 1/16 CORNER 32|33
FOUND 1979 BRASS CAP MARKED PLS 866
BTs: 10" HEMLOCK N 76°W 39.0' OPEN FACE
16" ALDER N 44°E 12.0' OPEN FACE
DID NOT FIND CAMSHAFT PER RM 1-30
- ⑰ C 1/4 CORNER
FOUND BADLY ROTTEN 20" FIR STUMP CORNER TREE
SET 5/8" X 48" IRON ROD & ALUM CAP IN CENTER OF STUMP
BTs: 27" CEDAR S 77°E 5.2' HEALED
22" CEDAR S 42 1/2°W 31.4' ROTTEN STUMP
SCRIBED: 12" FIR S 82°W 22.8' "1/4 C BT"
7" FIR N 24°E 18.9' "1/4 C BT"
16" MADRONE N 88°E 33.5' "1/4 C BT"
- ⑱ 1/4 CORNER 32|33
FOUND 1979 BRASS CAP MARKED PLS 866
BTs: 20" MADRONE N 76°W 12.5' DOWN, ROTTEN
24" FIR S 64°E 8.0' HEALED
46" FIR S 85°W 35.4' HEALED
SCRIBED: 6" FIR N 5°E 26.9' "1/4 S BT"
10" FIR S 36°W 14.8' "1/4 S BT"
- ⑲ R/W MONUMENT STA 1204+53 (M112-60E)
FOUND ALUMINUM CAP FLUSH WITH GROUND
- ⑳ R/W MONUMENT STA 1212+00 (M112-60E)
FOUND ALUMINUM CAP FLUSH WITH GROUND
- ㉑ R/W MONUMENT STA 1214+91.97 (M112-60E)
FOUND ALUMINUM CAP FLUSH WITH GROUND

BEARING BASED ON LINE BETWEEN
N 1/4 CORNER AND E 1/16 CORNER
AS RECORDED ON RM 1-30



BASIS OF BEARINGS
(N 89°59'30"E 1315.3' RM 1-30)
N 89°59'30"E 1313.59'
S 89°54'21"E S 89°59'32"E N 89°55'17"E



NARRATIVE

THE PURPOSE OF THIS SURVEY WAS TO RE-ESTABLISH THE CORNERS AND PROPERTY LINES OF TAX LOT 600 OF SECTION 32, T 30 S, R 2 W, W. M., IN DOUGLAS COUNTY, OREGON. THE LOTS IN THE NORTH HALF OF THE NORTHEAST ONE-QUARTER OF SECTION 32 WERE SURVEYED BY THE COUNTY SURVEYOR IN 1951 (RM 1-30) AT THE REQUEST OF THE LOT OWNERS (CS 44/121), INCLUDING THE OWNER OF TAX LOT 600 AT THAT TIME, SOUTHERN OREGON SUGAR PINE CORPORATION.

THE CONTROL FOR THIS SURVEY WAS RM 1-30, THE NORTH ONE-QUARTER CORNER (REN-133), THE EAST ONE-QUARTER CORNER (REN-221) BOTH USED BY EVANS AND SINCE RENEWED, AND THE CENTER ONE-QUARTER CORNER AS SET BY EVANS (REN-30). ALSO USED FOR CONTROL WAS THE NORTHEAST AND NORTHWEST LOT CORNERS OF TAX LOT 600 AND THE EAST ONE-SIXTEENTH CORNER AS SET BY EVANS. THE CONTROL FOR CANYONVILLE-TRAIL HIGHWAY RIGHT-OF-WAY WERE MONUMENTS FOUND AT STATIONS 1212+00 AND 1214+91.97 AS SET BY RAYMOND BROWN (M 112-60E). THE NORTH ONE-SIXTEENTH AS SET BY WILLIAM RUPPERT IN 1979 (M77-39) WAS USED AS CONTROL.

THE NORTHEAST QUARTER WAS SUBDIVIDED AND THE NORTHEAST ONE-SIXTEENTH WAS SET USING THE CONTROL LISTED ABOVE. THIS SUBDIVISION CONTROLLED THE DISTANCE ALONG THE SOUTH LINE OF THE LOT.

THE BASIS OF BEARING FOR THIS SURVEY WAS THE LINE BETWEEN THE NORTH ONE-QUARTER CORNER AND THE EAST ONE-SIXTEENTH CORNER AS SURVEYED BY ARTHUR EVANS IN 1951 (RM 1-30).

THIS SURVEY WAS PERFORMED IN APRIL 1995 USING A TOPCON GTS-302 TO RUN CLOSED LOOP TRAVERSES.

REGISTERED
PROFESSIONAL
LAND SURVEYOR

Mark F. Smalley

OREGON
JULY 26, 1988
MARK F. SMALLEY
2354

RENEWS 6/30/96

COUNTY SURVEYORS FILE DATA
DO NOT REMOVE FROM OFFICE

MAP FILE M 121-77

MAP FILE M 121-77