

FILED

Date: 12-14-94
This survey consists of:
Map: M121-16
Narrative:
Corner Rpt:

DOUGLAS COUNTY SURVEYOR

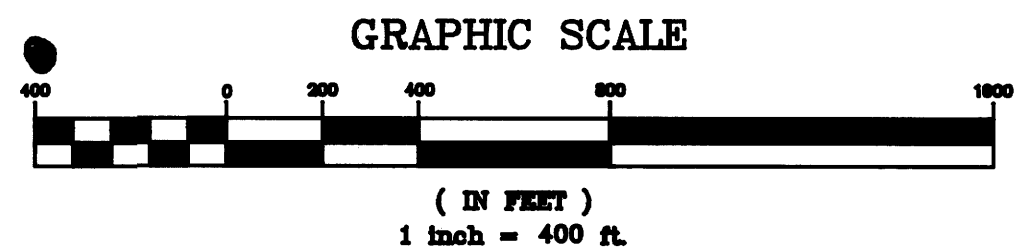
- NARRATIVE -

THIS SURVEY WAS MADE IN NOVEMBER OF 1994 BY DANIEL W. BAKER, OF BAKER AND ASSOCIATES, SURVEYORS, 1385 OAK STREET, SUITE 3, EUGENE, OREGON. THE PURPOSE OF THIS SURVEY WAS TO LOCATE AND MONUMENT, IN THE FIELD, THE POSITION OF THE EAST 1/4 CORNER OF SECTION 7, T23S, R5W, W.M. A TOPCON 301 WAS USED TO PERFORM THE SURVEY, WITH A MINIMUM ERROR OF CLOSURE OF BETTER THAN 1:22000 BEFORE ADJUSTMENT. THE BASIS OF BEARING FOR THIS SURVEY WAS BY SOLAR OBSERVATION. THIS SURVEY IS COORDINATED WITH PREVIOUS WORK, BY THIS COMPANY, IN BOTH SECTIONS 7 AND 18, AND FILED AS M118-43 AND M118-60 WITH THE DOUGLAS COUNTY SURVEYOR. THE NORTHEAST AND SOUTHEAST SECTION CORNERS OF SECTION 7, WERE FOUND AND USED FOR CONTROL. THE EAST 1/4 CORNER WAS SET AT MIDPOINT BETWEEN THE NORTHEAST AND SOUTHEAST SECTION CORNERS PER THE ORIGINAL PLAT. THE CORNER SET IN THIS SURVEY WAS MONUMENTED AS NOTED. THE CORNER WAS MARKED WITH PROPER MARKING PER "1973 BLM MANUAL OF INSTRUCTION", AND ALSO MARKED "PLS 1978". BEARING TREES ESTABLISHED IN THIS SURVEY WERE BASED ON MAGNETIC 20° DECLINATION, WITH DISTANCES TO A SPIKE AT SIDE CENTER OF THE BT.

BASIS OF BEARING: SOLAR OBSERVATION

LEGEND

- ⊙ - CORNERS FOUND (AS NOTED)
- - CORNERS SET (AS SHOWN)
- ⊙ - DOUGLAS CO. RD. #24 ROW MARKERS
- *— WIRE FENCES
- [] - RECORD DATA - G.L.O. 1853
- () - RECORD DATA - M118-43 DATED 1994



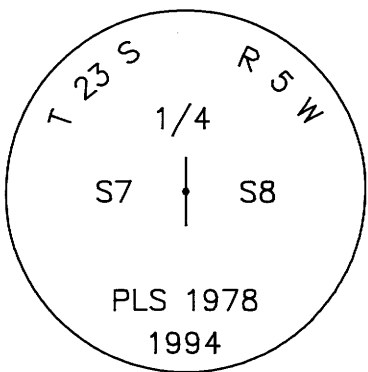
SECTION CORNER 5, 6, 7, 8

FOUND: 1-1/4" IRON PIPE WITH DOUGLAS COUNTY BRASS CAP DATED 1956
29" OAK, N 24-1/2 E, 72.2 FT. - CLOSED FACE
RECORD: N 25 E, 72.9 FT. - 1956 DOUGLAS COUNTY
11" FIR, S 45-1/2 E, 51.1 FT. - CLOSED FACE
RECORD: UNKNOWN
22" OAK, S 10 W, 78.0 FT. - CLOSED FACE
RECORD: S 11-1/2 W, 79.0 FT. - 1956 DOUGLAS COUNTY

1/4 CORNER 7, 8

SET: 1-1/4" X 3/8" IRON PIPE WITH 2-1/2" BRASS CAP DATED 1994
11" FIR, N 50 W, 24.3 FT.
SCRIBED "1/4 S7 BT"
9" FIR, N 33 E, 23.5 FT.
SCRIBED "1/4 S8 BT"
12" FIR, S 66 E, 35.9 FT.
SCRIBED "1/4 S8 BT"
15" FIR, S 54 W, 7.1 FT.
SCRIBED "1/4 S7 BT"
6 FT. ALUMINUM POST 1 FT. NORTH

NOTE:
THE FOLLOWING DOUGLAS CO. RD. #24 ROW MONUMENTS
ARE PROVIDED TO ASSIST IN LOCATING THE CORNER POSITION.
3/4" REBAR, N 39 W, 365 FT. - "CRW P.C."
5/8" REBAR, N 37 W, 340 FT. - "CRW P.T."



SECTION CORNER 7, 8, 17, 18

FOUND: 3/4" REBAR MKD. "LS 1808" ON TOP - 1989 M107-61
8" FIR, N 79-1/2 E, 6.9 FT. - SCRIBING VISIBLE
RECORD: N 80-1/2 E, 6.7 FT. - 1989 DOUGLAS COUNTY
9" FIR, S 22-1/2 E, 7.5 FT. - SCRIBING VISIBLE
RECORD: S 21 E, 7.4 FT. - 1989 DOUGLAS COUNTY
6" FIR, S 22-1/2 W, 23.4 FT. - SCRIBING VISIBLE
RECORD: S 23-1/2 W, 23.5 FT. - 1989 DOUGLAS COUNTY
7" MADRONE, N 29-1/2 W, 20.2 FT. - SCRIBING VISIBLE
RECORD: N 30 W, 20.4 FT. - 1989 DOUGLAS COUNTY

REGISTERED PROFESSIONAL LAND SURVEYOR
DANIEL W. BAKER
OREGON JULY 18, 1982
1978
EXPIRES 12/31/95

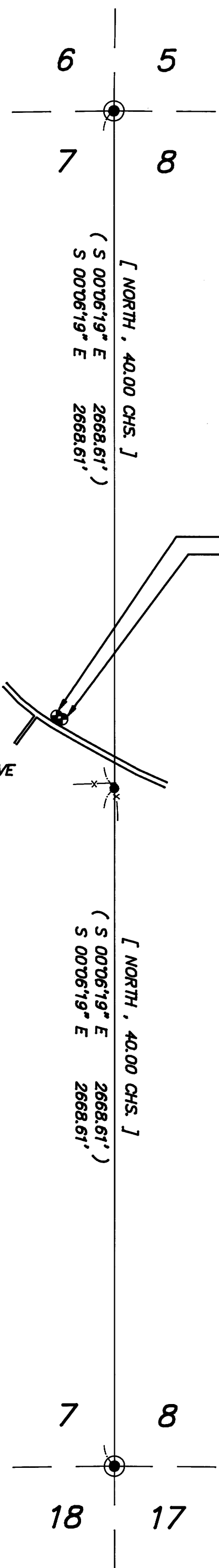
SURVEY IN
E 1/2 SECTION 7, T23S, R5W, W.M.
DOUGLAS COUNTY, OREGON

CLIENT: WEYERHAEUSER COMPANY

DRAWN BY: DHW
DATE: 11/28/94
FILE: WEYCO\230507A

BAKER AND ASSOCIATES, SURVEYORS
1385 OAK STREET - SUITE 3
EUGENE, OREGON (503) 343-7243

SCALE 1"=400'



COUNTY SURVEYORS FILE DATA
DO NOT REMOVE FROM OFFICE

MAP FILE M121-16

MAP FILE M121-16