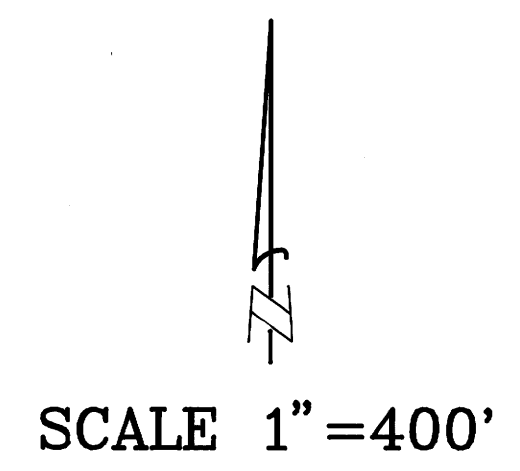


FILED
Date: 11-28-95 By: JC
This survey consists of:
Map: M 119-77
Narrative:
Corner Rpt:
DOUGLAS COUNTY
SURVEYOR

COUNTY SURVEYORS FILE DATA
DO NOT REMOVE FROM OFFICE



PROPERTY CORNER

FOUND: 1" IRON PIPE W/ YELLOW CAP INSCRIBED "MEYER CO" - 1988 M107-26
28" FIR, S 15 E, 16.1 FT. TO CENTER - SCRIBE VISIBLE
RECORD: S 15 E, 15.3 FT. TO "W" NAIL - 1988 WEYERHAEUSER
32" FIR, S 86 E, 36.1 FT. TO CENTER - SCRIBE VISIBLE
RECORD: S 86 E, 35.1 FT. TO "W" NAIL - 1988 WEYERHAEUSER
NOTE: CORNER MONUMENT FOUND TO BE 0.25 FT. NORTH OF SECTION LINE

NARRATIVE

THIS SURVEY WAS MADE IN AUGUST AND SEPTEMBER OF 1995 BY DANIEL W. BAKER, OF BAKER AND ASSOCIATES, SURVEYORS, 1385 OAK STREET, SUITE 3, EUGENE, OREGON. THE PURPOSE OF THIS SURVEY WAS TO LOCATE AND MARK, IN THE FIELD, THE PROPERTY LINES OF WEYERHAEUSER COMPANY OWNERSHIP IN SECTIONS 3 AND 4, IN T22S, R5W, W.M. A WILD T1000 WITH DISS EDM WAS USED TO PERFORM THE SURVEY, WITH A MINIMUM ERROR OF CLOSURE OF 1:20000 BEFORE COMPASS ADJUSTMENT. THE BASIS OF BEARING FOR THIS SURVEY WAS BY SOLAR OBSERVATION AS COORDINATED WITH RECENT WORK DONE IN 1993 BY THIS COMPANY IN SECTION 3 AND FILED AS M118-10. THE FOLLOWING CORNERS WERE USED FOR CONTROL AS FOUND, AND ACCEPTED AS BEING IN CORRECT POSITIONS: THE CENTER 1/4, THE NORTH 1/4, WEST 1/4, NORTHWEST SECTION CORNER, AND THE PROPERTY CORNERS SET BY WEYERHAEUSER COMPANY SURVEYS IN 1960 AND 1988, ALL IN SECTION 3. CORNERS ACCEPTED IN SECTION 4 WERE THE NORTH 1/4 CORNER AND CENTER NORTH 1/16 CORNER.

THE CENTER NORTH 1/16 CORNER OF SECTION 3 WAS SET ON LINE AND AT PROPORTIONATE DISTANCE BETWEEN THE CENTER 1/4 AND NORTH 1/4 CORNERS. THE FOUND 1960 WEYERHAEUSER CORNER MONUMENTING THE NORTH 1/16 CORNER BETWEEN SECTION 3 AND 4 WAS NOTED AS BEING OUT OF LIMITS, THEREFORE WE RESET THE CORNER ON LINE AND AT PROPORTIONATE DISTANCE BETWEEN THE WEST 1/4 AND NORTHWEST SECTION CORNERS.

THE POSITION OF THE PROPERTY CORNER SET IN SECTION 4 WAS DETERMINED AS BEING AT THE INTERSECTION OF A SOUTHWESTERLY EXTENSION OF THE LINE BETWEEN THE TWO PROPERTY CORNERS FOUND IN SECTION 3, AND THE EAST/WEST CENTERLINE OF THE NORTHEAST 1/4 OF SECTION 4. THIS PROPERTY LINE IS DESCRIBED IN DOUGLAS COUNTY DEED RECORDS VOLUME 300, PAGE 333 AND PAGE 337, DATED 1981, BETWEEN WEYERHAEUSER COMPANY AND BEN A. JOHNSON, AND AS ESTABLISHED AND SHOWN ON DOUGLAS COUNTY SURVEY FILE M107-26 DATED 1988.

THE CORNERS SET IN THIS SURVEY WERE MONUMENTED AS NOTED WITH 2-1/2" BRASS CAPS. THE CORNERS WERE MARKED WITH PROPER MARKING PER "1973 BLM MANUAL OF INSTRUCTION", AND ALSO MARKED "PLS 1978". THE TRUE PROPERTY LINE WAS MARKED BY BLAZING TREES (BLAZES PAINTED RED) ON EITHER SIDE OF THE TRUE LINE. BEARING TREES ESTABLISHED OR TIED IN THIS SURVEY WERE BASED ON MAGNETIC 20° DECLINATION, WITH DISTANCES TO A "W" SPIKE IN THE LOWER BLAZE AND/OR ALSO AT SIDE CENTER AS NOTED.

1/4 CORNER SECTIONS 4, 33

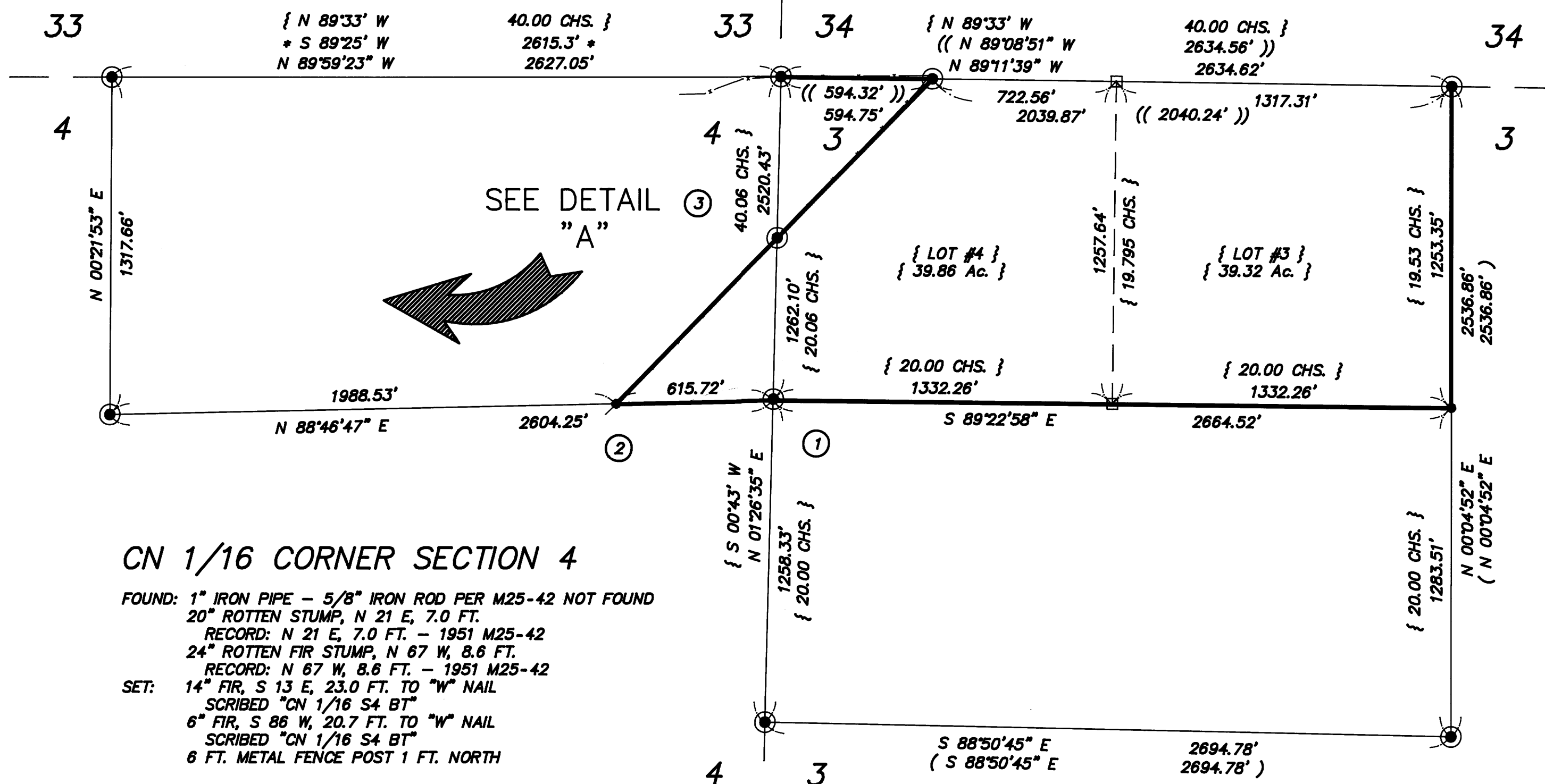
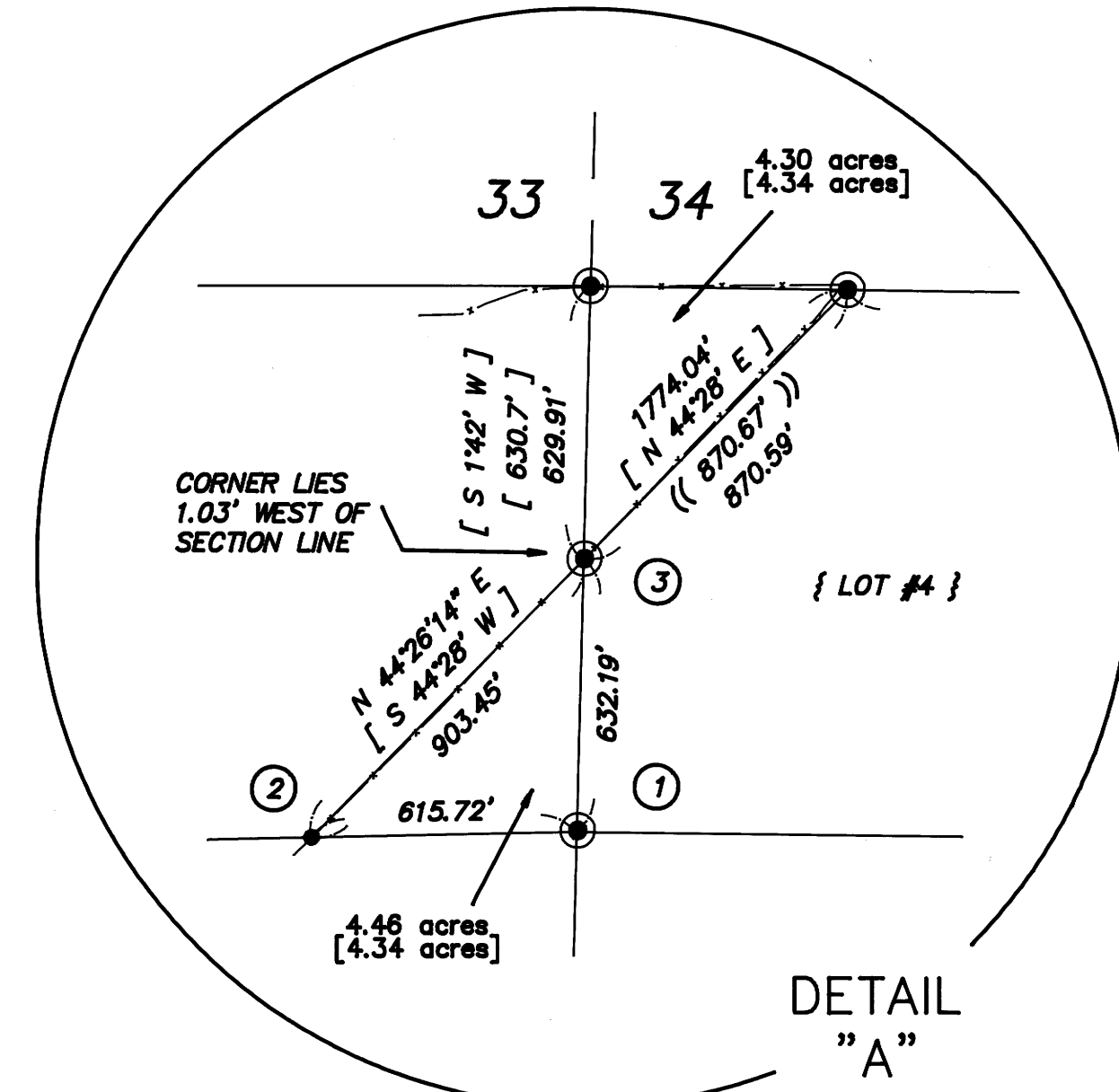
FOUND: U.S.B.L.M. BRASS CAP DATED 1981
14" FIR, S 76 E, 78.4 FT. - SCRIBE VISIBLE
RECORD: S 77 E, 78.2 FT. - 1992 DOUGLAS CO.
32" FIR, S 64 W, 29.9 FT. - CLOSED FACE
RECORD: S 86 W, 30.0 FT. - UNKNOWN, PRE 1964

SECTION CORNER 3, 4, 33, 34

FOUND: 1" ALUMINUM PIPE PER 1960 WEYERHAEUSER CO.
44" FIR STUMP, N 80 W, 205.0 FT.
RECORD: N 80 W, 309 LKS. - 1855 GLO
39" FIR, N 86 E, 57.2 FT. - CLOSED FACE
RECORD: N 86 E, 57.2 FT. - 1984 DOUGLAS CO.
26" FIR, N 54 W, 34.6 FT. - CLOSED FACE
RECORD: N 54 W, 34.6 FT. - 1964 DOUGLAS CO.

1/4 CORNER 3, 34

FOUND: 1" IRON PIPE W/ YELLOW CAP INSCRIBED "MEYER CO" - 1988 M107-26
72" FIR, STUMP, N 7-1/2 E, 47.5 FT. - AXE WORK VISIBLE
RECORD: N 8 E, 72 LKS. - 1855 GLO
21" FIR, S 1 W, 42.8 FT. TO "W" NAIL - SCRIBE VISIBLE
RECORD: S 2 W, 42.8 FT. TO "W" NAIL - 1988 WEYERHAEUSER
20" FIR, S 68-1/2 W, 60.8 FT. TO "W" NAIL - SCRIBE VISIBLE
RECORD: S 70 W, 60.8 FT. TO "W" NAIL - 1988 WEYERHAEUSER
20" FIR, N 39-3/4 W, 28.9 FT. TO "W" NAIL - SCRIBE VISIBLE
RECORD: N 35 W, 28.9 FT. TO "W" NAIL - 1988 WEYERHAEUSER
SET: 6 FT. METAL FENCE POST 1 FT. SOUTH



CN 1/16 CORNER SECTION 4

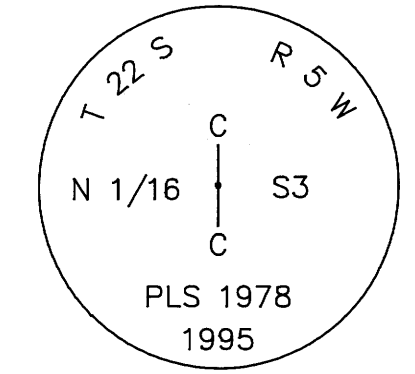
FOUND: 1" IRON PIPE - 5/8" IRON ROD PER M25-42 NOT FOUND
20" ROTTEN STUMP, N 21 E, 7.0 FT.
RECORD: N 21 E, 7.0 FT. - 1951 M25-42
24" ROTTEN FIR STUMP, N 67 W, 8.6 FT.
RECORD: N 67 W, 8.6 FT. - 1951 M25-42
SET: 14" FIR, S 13 E, 23.0 FT. TO "W" NAIL
SCRIBED "CN 1/16 S4 BT"
6" FIR, S 86 W, 20.7 FT. TO "W" NAIL
SCRIBED "CN 1/16 S4 BT"
6 FT. METAL FENCE POST 1 FT. NORTH

1/4 CORNER 3, 4

FOUND: DOUGLAS COUNTY BRASS CAP DATED 1976
20" CEDAR, N 3 E, 27.5 FT. - CLOSED FACE
RECORD: N 3 E, 27.5 FT. - 1976 DOUGLAS CO.
20" OAK, S 57 E, 8.7 FT. - CLOSED FACE
RECORD: HAINES 54-A - S 57°07' E, 8.7 FT.
24" FIR STUMP, N 30 W, 40.4 FT.
RECORD: HAINES 54-A - N 34°13' W, 40.4 FT.

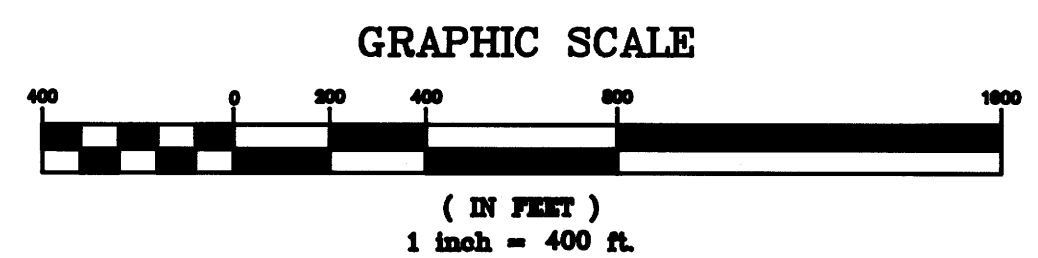
CN 1/16 CORNER SECTION 3

SET: 1-1/2" X 3/8" ALUMINUM PIPE W/ BRASS CAP DATED 1995
19" FIR, N 80 W, 8.9 FT. TO "W" NAIL
SCRIBED "CN 1/16 S3 BT"
11" FIR, N 1 E, 35.0 FT. TO "W" NAIL
SCRIBED "CN 1/16 S3 BT"
6 FT. METAL FENCE POST 1 FT. NORTH



C 1/4 CORNER SECTION 3

FOUND: 2-1/2" BRASS CAP DATED 1993 PER M118-10
17" FIR, N 68 E, 18.2 FT. TO "W" NAIL - SCRIBE VISIBLE
RECORD: N 68 E, 18.2 FT. TO "W" NAIL - 1993 M118-10
10" FIR, S 31 E, 7.5 FT. TO "W" NAIL - SCRIBE VISIBLE
RECORD: S 31 E, 7.5 FT. TO "W" NAIL - 1993 M118-10
12" FIR, S 13 W, 16.1 FT. TO "W" NAIL - SCRIBE VISIBLE
RECORD: S 13 W, 16.1 FT. TO "W" NAIL - 1993 M118-10
21" FIR, N 32 W, 12.6 FT. TO "W" NAIL - SCRIBE VISIBLE
RECORD: N 32 W, 12.6 FT. TO "W" NAIL - 1993 M118-10



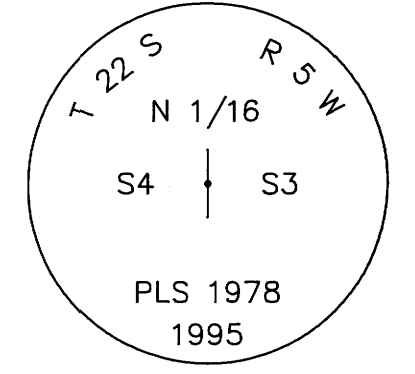
BASIS OF BEARING: SOLAR OBSERVATION
AS COORDINATED WITH M118-10

LEGEND

- - CORNERS FOUND (AS NOTED)
- - CORNERS SET (AS NOTED)
- - CALCULATED POINT (NOT SET)
- - PROPERTY LINE
- { } - RECORD DATA - 1855 GLO
- () - RECORD DATA - M118-10 DATED 1993
- (()) - RECORD DATA - M107-26 DATED 1988
- * * - RECORD DATA - M29-63 DATED 1944
- - - EXISTING FENCE
- [] - DOUGLAS COUNTY DEED RECORDS VOLUME 300, PAGES 333 AND 337

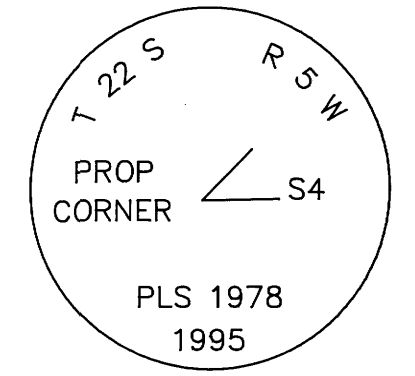
1 NORTH 1/16 SECTIONS 3, 4

SET: 1-1/2" X 3/8" ALUMINUM PIPE WITH BRASS CAP DATED 1995
6" FIR, S 89 E, 6.6 FT. TO "W" NAIL
SCRIBED "N 1/16 S3 BT"
38" FIR, N 7 E, 13.9 FT. TO SIDE CENTER
PREVIOUS 1960 BT NOT OPENED OR RESCRIBED
6 FT. METAL FENCE POST 1 FT. NORTH
NOTE: 1" ALUMINUM PIPE PER 1960 WEYERHAEUSER SURVEY SET FOR N 1/16 CORNER BEARS N 26°40'59" E, 3.5 FT.



2 PROPERTY CORNER

SET: 1-1/2" X 3/8" IRON PIPE WITH BRASS CAP DATED 1995
36" SCHOOL MARM FIR, N 54 E, 89.2 FT. TO "W" NAIL
SCRIBED "PC BT"
7" FIR, N 68 E, 50.2 FT. TO "W" NAIL
SCRIBED "PC BT"
6 FT. METAL FENCE POST 1 FT. EAST



3 PROPERTY CORNER

FOUND: 1" ALUMINUM PIPE PER 1960 WEYERHAEUSER
15" FIR, EAST, 1.4 FT. TO FACE - 2.5 FT. TO CENTER
RECORD: EAST, 1.4 FT. TO "W" NAIL - 1960 WEYERHAEUSER
26" FIR, S 28 W, 8.8 FT. TO CENTER - CLOSED FACE
RECORD: S 28 W, 8.0 FT. TO "W" NAIL - 1960 WEYERHAEUSER
SET: 6 FT. METAL FENCE POST 1 FT. SOUTH

REGISTERED PROFESSIONAL LAND SURVEYOR
DANIEL W. BAKER
1978
EXPIRES 12/31/95

SURVEY IN NW 1/4 SEC. 3, NE 1/4 SEC. 4, T22S, R5W, W.M. DOUGLAS COUNTY	
CLIENT:	WEYERHAEUSER COMPANY
DRAWN BY:	DHW
DATE:	10/2/95
FILE:	WEYCO/220503
BAKER AND ASSOCIATES, SURVEYORS 1385 OAK STREET - SUITE 3 EUGENE, OREGON (541) 343-7243	