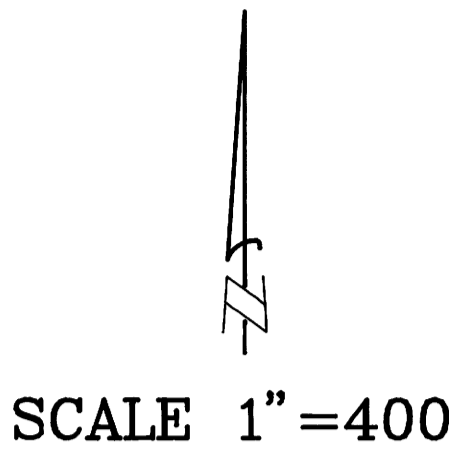


FILED
 Date: 3-30-95 By: JPB
 This survey consists of:
 Map: 119-54
 Narrative:
 Corner Rpt:
 DOUGLAS COUNTY SURVEYOR



SECTION CORNER 3, 4, 33, 34

FOUND: U.S.B.L.M. BRASS CAP DATED 1980
 13" CEDAR, N 56 E, 18.7 FT. - CLOSED FACE
 RECORD: N 56 E, 30 LKS. - 1980 BLM
 9" CEDAR, S 53-1/2 E, 18.0 FT. - CLOSED FACE
 RECORD: S 53-3/4 E, 27 LKS. - 1980 BLM
 15" FIR, S 56 W, 29.5 FT. - CLOSED FACE
 RECORD: S 55-1/2 W, 45 LKS. - 1980 BLM
 8" FIR, N 33-3/4 W, 38.7 FT. - DOWN AND OUT
 RECORD: N 33-1/2 W, 59 LKS. - 1980 BLM
 SET: 7" FIR, N 52 W, 8.5 FT. TO "W" NAIL
 SCRIBED "T21S R4W S33 BT"

WEST 1/16 SECTION 3, 34

FOUND: U.S.B.L.M. BRASS CAP DATED 1980
 16" HEMLOCK, N 12 E, 55.8 FT. TO SPIKE - VISIBLE SCRIBE
 RECORD: N 13-1/4 E, 85 LKS. - 1980 BLM
 24" YEW, S 55 W, 21.7 FT. TO SPIKE - VISIBLE SCRIBE
 RECORD: S 52 W, 32.5 LKS. - 1980 BLM
 NOTE: SPIKES WERE SET THIS SURVEY AT SIDE CENTER

1/4 CORNER 3, 34

FOUND: U.S.B.L.M. BRASS CAP DATED 1980
 17" WHITE FIR, N 2-1/2 E, 47.5 FT. TO SPIKE - VISIBLE SCRIBE
 RECORD: NORTH, 47.5 LKS. - 1980 BLM
 20" WHITE FIR, S 14-1/2 E, 44.8 FT. TO SPIKE - CLOSED FACE
 RECORD: S 18-1/2 W, 70 LKS. - 1980 BLM
 NOTE: SPIKES WERE SET THIS SURVEY AT SIDE CENTER

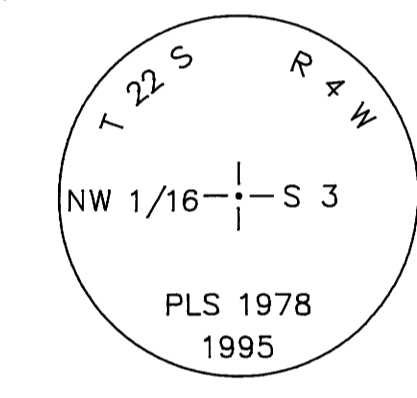
BASIS OF BEARING: EAST 1/2 OF WEST 1/2 NORTH LINE SECTION 3, PER 1994 BLM

LEGEND

- ⊙ - CORNERS FOUND (AS NOTED)
- - CORNER SET (AS NOTED)
- - CALCULATED POINT (NOT SET)
- - PROPERTY LINE
- () - RECORD DATA - 1994 BLM
- (()) - RECORD DATA M106-48 DATED 1988
- [] - RECORD DATA - 1980 BLM
- { } - RECORD DATA - 1855 GLO

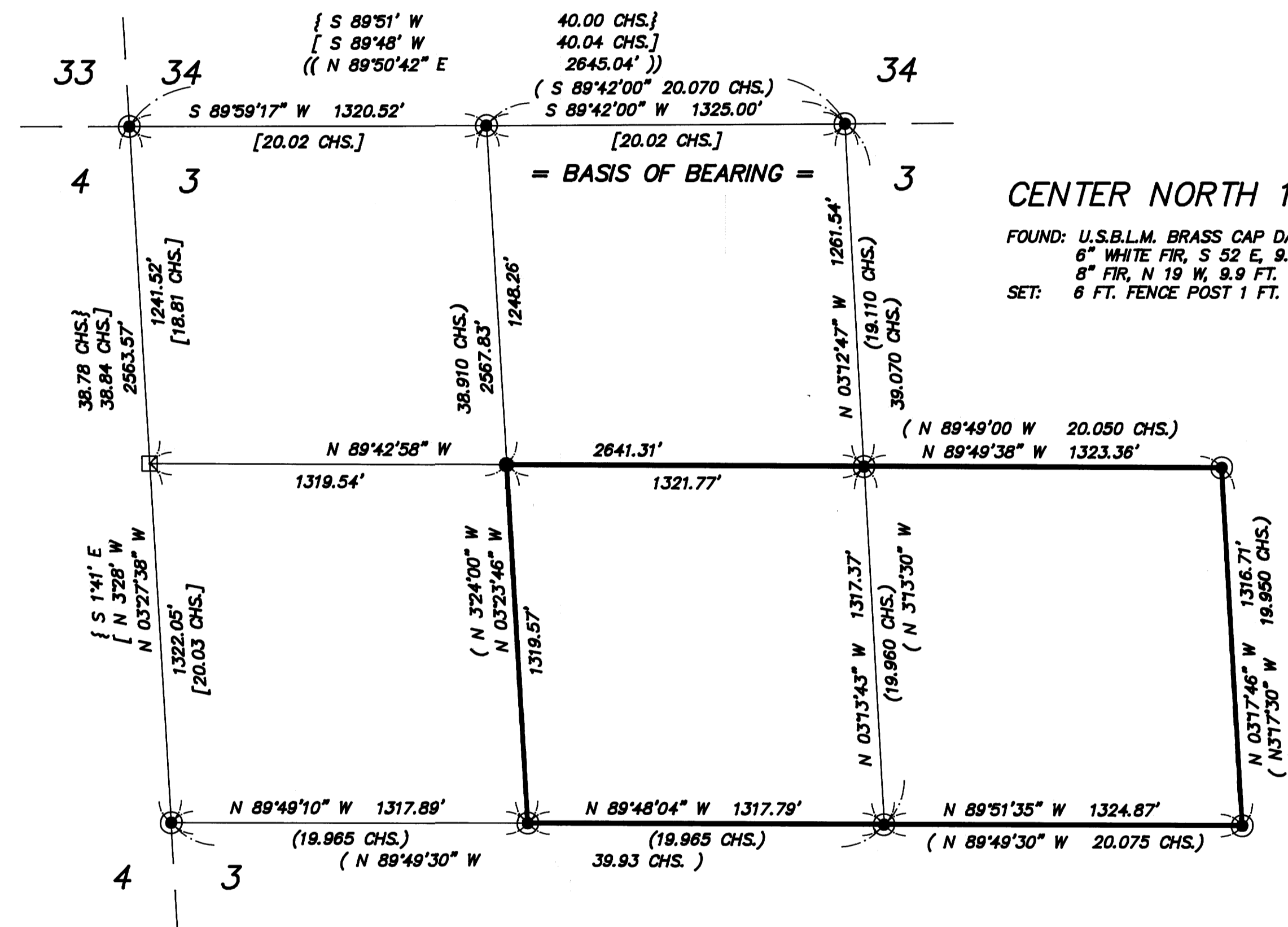
NORTH WEST 1/16

SET: 1-1/4" X 3/8" IRON PIPE WITH BRASS CAP DATED 1985
 11" FIR, N 44 W, 4.0 FT. TO "W" NAIL
 SCRIBED "NW 1/16 S3 BT"
 14" FIR, N 38 E, 11.4 FT. TO "W" NAIL
 SCRIBED "NW 1/16 S3 BT"
 6 FT. FENCE POST 1 FT. EAST



1/4 CORNER 3, 4

FOUND: U.S.B.L.M. BRASS CAP DATED 1980
 12" FIR, S 10 E, 11.8 FT. - CLOSED FACE
 RECORD: S 13 E, 18 LKS. - 1980 BLM
 14" FIR, N 34 W, 21.9 FT. - CLOSED FACE
 RECORD: N 36 W, 33 LKS. - 1980 BLM



CENTER NORTH 1/16

FOUND: U.S.B.L.M. BRASS CAP DATED 1994
 6" WHITE FIR, S 52 E, 9.7 FT. - VISIBLE SCRIBE
 8" FIR, N 19 W, 9.9 FT. - VISIBLE SCRIBE
 SET: 6 FT. FENCE POST 1 FT. WEST

NORTH EAST 1/16

FOUND: U.S.B.L.M. BRASS CAP DATED 1984
 12" FIR, N 45 E, 24.7 FT. TO SPIKE - SCRIBE VISIBLE
 11" FIR, S 22 W, 8.8 FT. TO SPIKE - SCRIBE VISIBLE
 SET: 6 FT. FENCE POST 1 FT. SOUTH
 NOTE: SPIKES WERE SET THIS SURVEY AT SIDE CENTER

CENTER EAST 1/16

FOUND: U.S.B.L.M. BRASS CAP DATED 1994
 14" HEMLOCK, N 52 E, 11.7 FT. TO SPIKE - SCRIBE VISIBLE
 20" YEW STUMP, S 52 E, 22.1 FT. TO SPIKE - SCRIBE VISIBLE
 SET: 6 FT. FENCE POST 1 FT. NORTH
 NOTE: SPIKES WERE SET THIS SURVEY AT SIDE CENTER

CENTER WEST 1/16

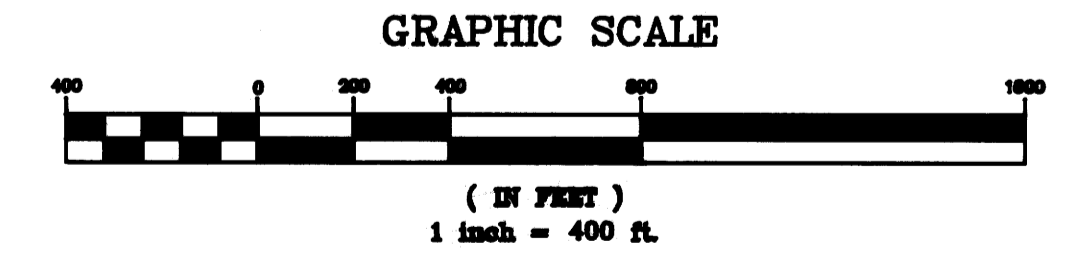
FOUND: U.S.B.L.M. BRASS CAP DATED 1994
 11" FIR, N 50 E, 16.3 FT. TO SPIKE - SCRIBE VISIBLE
 RECORD: BLM TAG READS, S 50 E
 18" WHITE FIR, S 32 W, 16.0 FT. TO SPIKE - SCRIBE VISIBLE
 SET: 6 FT. FENCE POST 1 FT. NORTH
 NOTE: SPIKES WERE SET THIS SURVEY AT SIDE CENTER

CENTER 1/4

FOUND: U.S.B.L.M. BRASS CAP DATED 1994
 5" YEW, N 8 W, 2.6 FT. TO SPIKE - SCRIBE VISIBLE
 RECORD: BLM TAG READS, S 18 E
 15" HEMLOCK, S 39 W, 8.1 FT. TO SPIKE - SCRIBE VISIBLE
 RECORD: BLM TAG READS, N 36 E
 SET: 6 FT. FENCE POST 1 FT. EAST
 NOTE: SPIKES WERE SET THIS SURVEY AT SIDE CENTER

NARRATIVE

THIS SURVEY WAS MADE IN JANUARY AND FEBRUARY OF 1995 BY DANIEL W. BAKER, OF BAKER AND ASSOCIATES, SURVEYORS, 1385 OAK STREET, SUITE 3, EUGENE, OREGON. THE PURPOSE OF THIS SURVEY WAS TO LOCATE AND MARK, IN THE FIELD, THE PROPERTY LINES OF WEYERHAEUSER COMPANY OWNERSHIP IN SECTION 3, T22S, R4W, W.M. A WILD T1000 WITH D1800 EDM WAS USED TO PERFORM THE SURVEY, WITH A MINIMUM ERROR OF CLOSURE OF 1:12100 BEFORE ADJUSTMENT. THE BASIS OF BEARING FOR THIS SURVEY WAS THE EAST HALF OF THE WEST HALF OF THE NORTH LINE OF SECTION 3 PER AS OF YET UNRECORDED BLM SURVEY OF SECTION 3 DATED 1994. THE FOLLOWING CORNERS WERE USED FOR CONTROL AS FOUND, AND ACCEPTED AS BEING IN CORRECT POSITIONS: THE NORTH 1/4 CORNER, WEST 1/16 CORNER, NORTHWEST SECTION CORNER, AND WEST 1/4 CORNER PER 1980 BLM; ALONG WITH THE CENTER WEST 1/16, CENTER EAST 1/16, CENTER NORTH 1/16, NORTHEAST 1/16, AND CENTER 1/4 CORNERS PER 1994 BLM. THE EAST/WEST CENTERLINE OF THE NORTHWEST 1/4 OF SECTION 3 WAS DETERMINED BETWEEN THE CALCULATED POSITION FOR THE NORTH 1/16 AND THE CENTER NORTH 1/16 CORNERS. THE NORTH/SOUTH CENTERLINE OF THE NORTHWEST 1/4 WAS DETERMINED BETWEEN THE WEST 1/16 AND THE CENTERWEST 1/16 CORNERS. THE NORTHWEST 1/16 CORNER WAS SET AT THE INTERSECTION OF THE NORTH/SOUTH AND EAST/WEST CENTERLINES OF THE NORTHWEST 1/4. THE TRUE PROPERTY LINE WAS MARKED BY BLAZING TREES (BLAZES PAINTED RED) ON EITHER SIDE OF THE TRUE LINE. BEARING TREES ESTABLISHED OR TIED IN THIS SURVEY WERE BASED ON MAGNETIC 20' DECLINATION, WITH DISTANCES TO A "W" SPIKE IN THE LOWER BLAZE AND/OR ALSO TO AN 8" SPIKE AT SIDE CENTER WHERE NOTED.



COUNTY SURVEYORS FILE DATA
 NOT REMOVE FROM OFFICE

REGISTERED PROFESSIONAL LAND SURVEYOR
 DANIEL W. BAKER
 1978
 EXPIRES 12/31/95

SURVEY IN	
N 1/2 SECTION 3, T22S, R4W, W.M. DOUGLAS COUNTY, OREGON	
CLIENT:	WEYERHAEUSER COMPANY
DRAWN BY:	DHW
DATE:	2/17/95
FILE:	WEYCO\220403
BAKER AND ASSOCIATES, SURVEYORS 1385 OAK STREET - SUITE 3 EUGENE, OREGON (503) 343-7243	