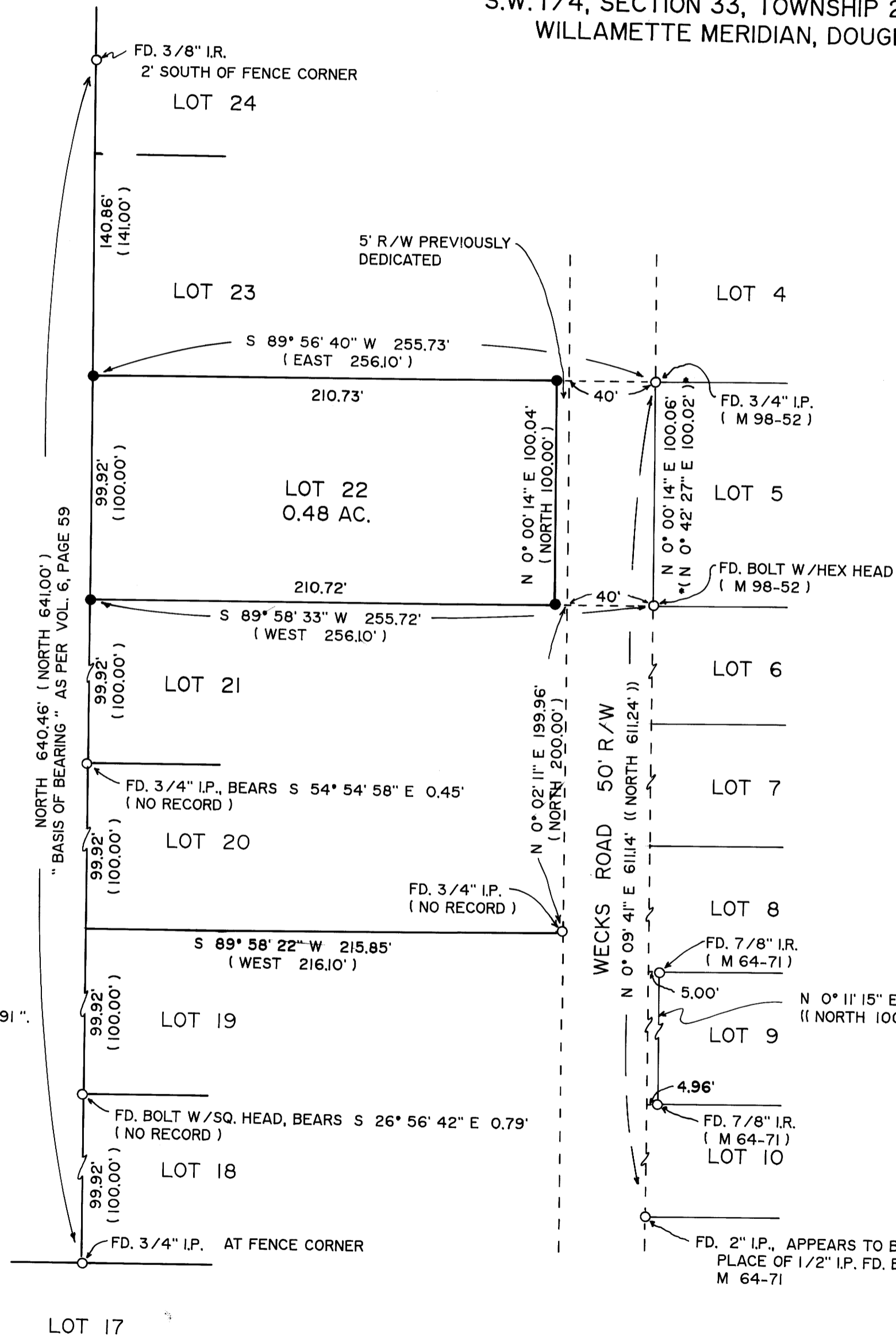
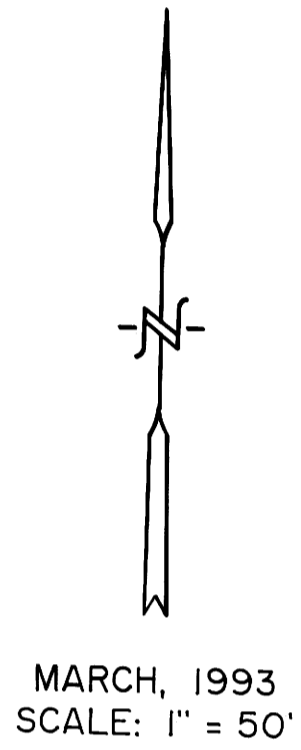


COUNTY SURVEYORS FILE DATA
 DO NOT REMOVE FROM OFFICE
 PROPERTY SURVEY
 TO SET LOT CORNERS
 LOT 22, WECKS TRACT

Located in the:
 S.W. 1/4, SECTION 33, TOWNSHIP 29 SOUTH, RANGE 5 WEST,
 WILLAMETTE MERIDIAN, DOUGLAS COUNTY, OREGON.



PREPARED FOR:
 ALBERT LEE JONES
 160 WECKS ROAD
 MYRTLE CREEK, OR. 97457

PREPARED BY:
 RAYMOND F. BROWN - P.L.S. 2391
 P.O. BOX 539
 CANYONVILLE, OR. 97417
 Phone: (503) 839-6185

REGISTERED
 PROFESSIONAL
 LAND SURVEYOR

Raymond F. Brown

OREGON
 JULY 26, 1989
 RAYMOND F. BROWN
 2391

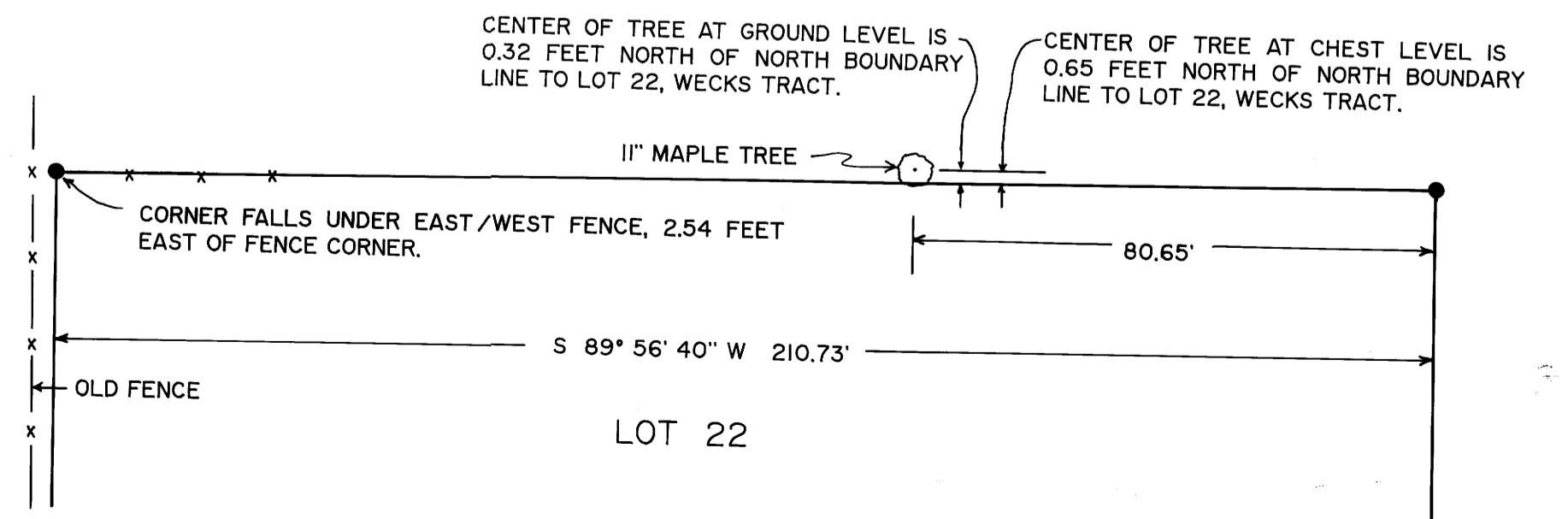
EXPIRES 12/31/93

NARRATIVE:

PURPOSE OF THE SURVEY WAS TO LOCATE AND SET THE LOT CORNERS TO LOT 22, WECKS TRACT, AND TO DETERMINE THE OWNERSHIP OF A TREE CLOSE TO THE NORTH BOUNDARY OF SAID LOT 22. FIELD INVESTIGATION LOCATED THE SAID FOUND CORNERS AND CONDITIONS. CONTROL FOR THE SURVEY ON THE WEST SIDE WAS THE FOUND ORIGINAL LOT CORNERS AS SHOWN. THE SOUTHERLY SAID FOUND ORIGINAL MONUMENT WAS RECORDED AS A 1/2 INCH IRON PIPE. ALTHOUGH I MEASURED THE OUTSIDE OF THE PIPE AND FIND IT TO BE 3/4 INCH OUTSIDE DIAMETER (1/2 INCH INSIDE DIAMETER). I ACCEPTED IT TO BE THE ORIGINAL SET MONUMENT AS PER VOL. 6, PAGE 59. THIS WEST BOUNDARY AS DESCRIBED WAS ALSO USED AS MY "BASIS OF BEARING". LOT CORNERS ON THE WEST SIDE WERE PLACED BY SINGLE PROPORTION METHOD. THE EAST BOUNDARY WAS CONTROLLED BY THE ACCEPTED WESTERLY LOT CORNERS TO LOT 5, WECKS TRACT. I ALSO ALLOWED FOR THE 5 FOOT EXTRA RIGHT OF WAY ALONG WECKS ROAD. THE NORTH AND SOUTH BOUNDARIES WERE CONTROLLED BY THE CORNERS I SET ON THE WEST AND THE ACCEPTED CORNERS FOR THE WEST SIDE OF SAID LOT 5.

DETAIL OF NORTH BOUNDARY OF LOT 22.

NO SCALE:



LEGEND:

- FD. AS SHOWN AS PER VOL. 6, PAGE 59, UNLESS OTHERWISE NOTED.
- SET 5/8" X 30" IRON ROD WITH PLASTIC CAP ATTACHED, MKD. " R. BROWN, PLS 2391 "
- () RECORD AS PER VOL. 6, PAGE 59.
- (()) RECORD AS PER M 64-71.
- * () RECORD AS PER M 98-52.

M116-63

MAP FILE 116-63