

LEGEND

- ⊙ MONUMENTS FOUND AS NOTED.
- MONUMENTS SET 3/4"X30" IRON RODS W/ 2" A.C. MKD. AS SHOWN, UNLESS OTHERWISE NOTED
- ⬡ CORNER POSITION CALCULATED AS PER M56-1.
- ( ) RECORD INFORMATION
- PROPERTY LINES MARKED

REFERENCE SURVEYS

CONTRACT #69, GLO. H. GORDON, 1857-1858  
 CONTRACT #745, GLO. WM. H. BYARS, 1902-1905  
 CS 52/91, CORBITT, HENDRICKSON, KRUGER, SEETHOFF, & SENN, 1941-1943  
 M8-38, LECKLIDER, 1958  
 M32-31, HINTZ, 1966  
 M41-16, COLLING, 1971  
 M56-1, FOESTE, 1974  
 BLM, 1982  
 CS 62/59, R. SMITH, FLAUSE, 1988

NARRATIVE

THE PURPOSE OF THIS SURVEY WAS TO DETERMINE THE BOUNDARY LINES OF THE NORTHWEST QUARTER OF THE SOUTHWEST QUARTER OF SECTION 11, TOWNSHIP 20 SOUTH, RANGE 12 WEST. IN ACCOMPLISHING THIS, WE ALSO SET THE EAST QUARTER CORNER OF SAID SECTION 11, AND THE SECTION CORNER OF SECTIONS 10, 11, 14, & 15. THE PROCEDURE USED WAS TO SUBDIVIDE THE SECTION AS PER THE BLM MANUAL. WE STARTED OUR SURVEY AT THE QUARTER CORNER COMMON TO SECTIONS 10 & 11, AND TRAVELED TO THE NORTH-EAST CORNER OF SECTION 11. BOTH OF THESE CORNERS ARE ORIGINALS SET BY H. GORDON PER CONTRACT #69 DATED FEB. 2, 1857. SAID NORTHEAST SECTION CORNER HAS BEEN PERPETUATED BY WM. H. BYARS PER CONTRACT #745 DATED MAY 1, 1902, BY W. C. CORBITT, B. SENN, P. KRUGER, AND N. SEETHOFF IN 1943, BY G. R. LECKLIDER IN 1958, AND BY THE BLM IN 1982. WE THEN TRAVELED TO THE WEST QUARTER OF SECTION 12, WHICH IS AN ORIGINAL CORNER SET BY BYARS PER CONTRACT #745. THIS CORNER IS NOT COMMON WITH SECTION 11. IT WAS SET TO PROTECT THE PLAT OF THE NORTH HALF OF SECTION 12 PERFORMED BY GORDON IN CONTRACT #69. THIS CORNER WAS PERPETUATED BY LECKLIDER IN 1958. WE THEN TRAVELED TO THE SOUTHEAST CORNER OF SECTION 11. WE FOUND A 1-1/2" IRON PIPE AS SHOWN ON MAP M8-38, BY LECKLIDER IN 1958. ALTHOUGH NO ORIGINAL BT'S OR OTHER BT'S OF RECORD COULD BE FOUND, WE DID FIND BT'S OF WHICH THERE WERE NO RECORD. I BELIEVE THAT BECAUSE OF THE PROXIMAL POSITION OF THE CORNER TO AN OLD LOG LANDING, THE BT'S OF RECORD WERE OBLITERATED. I ALSO BELIEVE THAT BECAUSE OF THE FOUND POSITION OF THE IRON PIPE AND THE UNRECORDED BT'S, THE IRON PIPE IS THE PERPETUATED POSITION OF THE ORIGINAL SECTION CORNER TO SECTIONS 11, 12, 13, & 14 SET BY BYARS PER CONTRACT #745. WE THEN TRAVELED TO THE CALCULATED POSITION OF THE SECTION CORNER COMMON TO SECTIONS 10, 11, 14, & 15. THIS SECTION CORNER HAS BEEN SEARCHED FOR AND NOT FOUND BY OTHER SURVEYORS THROUGH THE YEARS PAST. WE MADE A DILIGENT SEARCH IN THE AREA WITHOUT RESOLVING THE POSITION OF THE CORNER. WE THEN TRAVELED TO THE QUARTER CORNER COMMON TO SECTIONS 10 & 15, WHICH IS AN ORIGINAL CORNER SET BY GORDON PER CONTRACT #69, AND HAS BEEN PERPETUATED BY CORBITT AND HENDRICKSON PER CS 52/91 IN 1943, AND BY R. SMITH AND S. FLAUSE PER CS 62/59 IN 1988. WE THEN TRAVELED TO THE QUARTER CORNER COMMON TO SECTIONS 14 & 15, WHICH IS AN ORIGINAL CORNER SET BY GORDON PER CONTRACT #69, AND HAS BEEN PERPETUATED BY CORBITT AND SENN PER CS 52/91 IN 1941. AFTER TYING THESE CORNERS, I DOUBLE PROPORTIONED IN THE SECTION CORNER TO SECTIONS 10, 11, 14, & 15 AS PER THE BLM MANUAL. THE CONTROLLING CORNERS FOR THE DOUBLE PROPORTION WERE - THE QUARTER CORNER COMMON TO SECTIONS 10 & 11, THE QUARTER CORNER COMMON TO SECTIONS 10 & 15, THE QUARTER CORNER COMMON TO SECTIONS 14 & 15, AND THE SECTION CORNER TO SECTIONS 11, 12, 13, & 14. I THEN CALCULATED THE POSITION OF THE SECTION CORNER TO SECTIONS 2, 3, 10, & 11 BY ROTATING MY SURVEY TO K. FOESTE'S SURVEY M56-1 DATED NOV. 25, 1974, IN WHICH FOESTE DOUBLE PROPORTIONED THE SECTION CORNER INTO A POSITION WHICH FELL INTO THE SILT-COOS LAKE. THE CONTROLLING CORNERS FOR THE ROTATION WERE THE SECTION CORNER TO SECTIONS 1, 2, 11, & 12, AND THE MEANDER CORNER WHICH IS AN ORIGINAL SET BY GORDON PER CONTRACT #69, AND IT IS LOCATED ON THE SECTION LINE COMMON TO SECTIONS 10 & 11, BETWEEN THE QUARTER CORNER AND THE SECTION CORNER TO SECTIONS 2, 3, 10, & 11. SAID MEANDER CORNER WAS PERPETUATED BY CORBITT IN 1943 AND FOESTE IN 1974. I THEN CALCULATED THE POSITION OF THE QUARTER CORNER COMMON TO SECTIONS 2 & 11 BY SINGLE PROPORTIONING AS PER THE BLM MANUAL. AFTER MAKING A DILIGENT SEARCH FOR THE ORIGINAL QUARTER CORNER, I USED THE PROPORTIONED POSITION FOR THE SUBDIVISION OF THE SECTION. I THEN CALCULATED THE POSITION OF THE QUARTER CORNER COMMON TO SECTIONS 11 & 14 BY SINGLE PROPORTIONING AS PER THE BLM MANUAL. HERE TOO, WE MADE A DILIGENT SEARCH FOR THE ORIGINAL QUARTER CORNER POSITION WITHOUT SUCCESS. I USED THE PROPORTIONED POSITION OF THE QUARTER CORNER FOR THE SUBDIVISION OF THE SECTION. I THEN PROPORTIONED THE EAST QUARTER OF SECTION 11 BY USING THE DIFFERENCE IN NORTHING VALUES BETWEEN THE SECTION CORNER OF SECTIONS 1, 2, 11, & 12, AND THE SECTION CORNER OF SECTIONS 11, 12, 13, & 14, AND PLACED THE CORNER ON THE SECTION LINE BETWEEN THE WEST QUARTER CORNER OF SECTION 12 AND THE SECTION CORNER OF SECTIONS 11, 12, 13, & 14 AS PER THE BLM MANUAL. I USED THIS POSITION FOR THE SUBDIVISION OF THE SECTION. I THEN CALCULATED THE CENTER SECTION CORNER OF SECTION 11 AT THE INTERSECTION OF CENTER SECTION LINES OF THE QUARTER CORNERS TO SAID SECTION 11. I THEN SUBDIVIDED THE SECTION AS PER THE BLM MANUAL, SETTING THE SOUTHWEST 1/16 CORNER, THE CENTERWEST 1/16 CORNER, AND THE SOUTH 1/16 CORNER COMMON TO SECTIONS 10 & 11. WE THEN BLAZED THE BOUNDARY LINES OF SAID NORTHWEST QUARTER OF SAID SOUTHWEST QUARTER OF SAID SECTION 11. EQUIPMENT USED WAS A WILD T-1000 WITH A DI-1000 EDM. ASSISTING IN THE SURVEY WERE JERRY ESTABROOK, L.S.I.T., KEITH CLEVINGER, AND JIM MARIS.

CORNER NOTES

- FD. B.T.'S:  
 S10&S15 36'  
 1/4 ROTTEN ORIGINAL SPRUCE STUMP, BRS. N21°W 15.0'  
 24" SPR. DOUBLE TRUNK W/ PK NAIL, BRS. N01°E 16.0' (CS 62/59)  
 24" ROTTEN FIR STUMP, NO TAG OR MARKS, BRS. N79°30'E 24.9' (CS 52/91)  
 11" FIR W/ PK NAIL, "X" CHOP @ B.H., TAG, BRS. S81°E 9.6' TO PK NAIL (CS 62/59)  
 14" HEMLOCK W/ PK NAIL, "X" CHOP @ B.H., TAG, BRS. S25°30'E 2.85' TO PK NAIL (CS 62/59)  
 24" ROTTEN FIR STUMP, NO MARKS OR TAGS, BRS. S65°E 13.2' (ORIGINAL)  
 12" FIR STUMP W/ PK NAIL IN CENTER, BRS. S53°30'W 10.55' TO PK NAIL (CS 62/59)
- FD. B.T.'S:  
 S14&S15 30'  
 1/4 ORIGINAL FIR STUMP W/ BURNT FACE, V.S., TAG, BRS. N70°E 2.0' TO FACE  
 24" SPRUCE STUMP ROTTEN TO GROUND, TAG, BRS. N79°W 23.1' TO FACE (CS 52/91)  
 MKD. B.T.'S:  
 10" FIR STUMP, "X" CHOP, TAG, BRS. N08°E 3.52'  
 18" FIR STUMP, "X" CHOP, TAG, BRS. S85°W 15.40'  
 NEW B.O.:  
 4' HIGH ALUMINUM POST, BRS. N23°E 2.0'

BASIS OF BEARINGS

SOLAR OBSERVATION ON SEPTEMBER 28, 1992

**Stuntzner Engineering & Forestry**

ENGINEERING • LAND SURVEYING • FORESTRY  
 PLANNING • WATER RIGHTS  
 705 South 4th St. Phone: (503) 267-2872  
 Post Office Box 118 Coos Bay, Oregon 97420 Fax: (503) 267-0588

Drawn By: Tony Benthin Date: November 15, 1992

Checked By: Jerry Estabrook Drawing No.: 92-177

Designed By: Revised:

Job Name: Western Pacific Timber Survey Sheet 1 of 1

NOTE: ALL B.T.'S WERE MEASURED TO SIDE, CENTER, UNLESS OTHERWISE NOTED

SCALE 1" = 500 FEET

REGISTERED PROFESSIONAL LAND SURVEYOR  
*Ronald E. Stuntzner*  
 OREGON SEPTEMBER 21, 1977  
 RONALD E. STUNTZNER 1342  
 EXPIRES 12/31/94

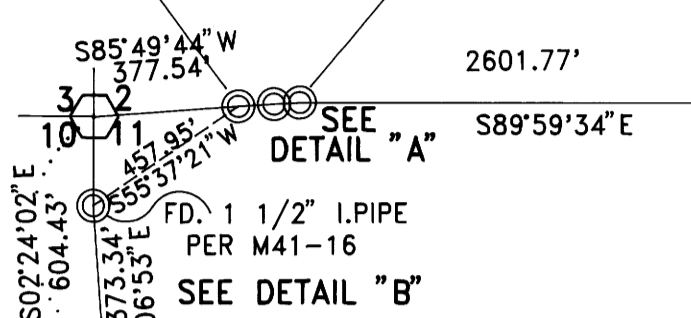
PREPARED FOR  
 WESTERN PACIFIC TIMBER  
 06370 HWY #126  
 FLORENCE, OR. 97439

FD. 1 1/2" I.D.I.P. (CS 52/91)  
 SET 3/4"X30" I.R. W/ 2" A.C.  
 MKD. AS SHOWN, INSIDE I.P.  
 FD. B.T.'S:  
 46" ROTTEN SPRUCE STUMP, V.S., BRS. S16°E 10.0' (ORIGINAL)  
 22" HEMLOCK, H.F. & TAG, BRS. S81°30'E 15.35' (M32/31)  
 12" FIR, H.F. & TAG, BRS. S51°30'W 18.40' (M32/31)

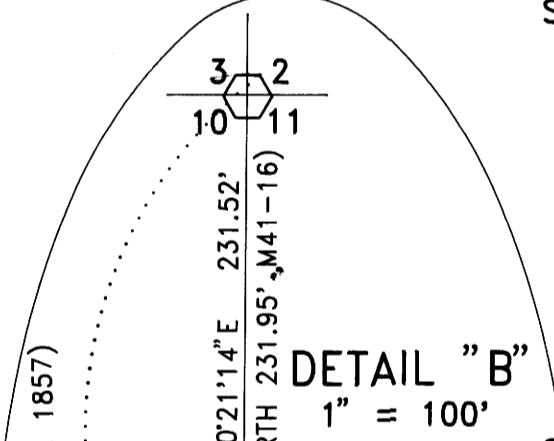
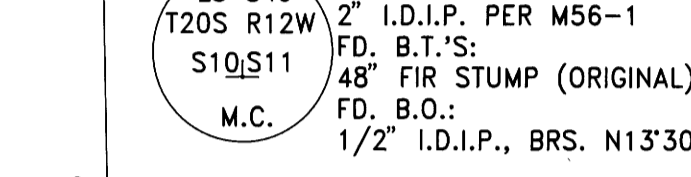
- ABBREVIATIONS
- A.C. = ALUMINUM CAP
  - B.H. = BREAST HEIGHT
  - B.O. = BEARING OBJECT
  - B.T. = BEARING TREE
  - F.S. = FACE SCRIBE
  - H.F. = HEADED FACE
  - I.D.A.P. = INSIDE DIAMETER ALUMINUM PIPE
  - I.D.I.P. = INSIDE DIAMETER IRON PIPE
  - I.P. = IRON PIPE
  - I.R. = IRON ROD
  - V.S. = VISIBLE SCRIBE

FD. B.O.'S:  
 1 1/2" I.P. BRS.  
 N85°49'44"E 377.54'  
 1 1/2" I.P. BRS.  
 S00°21'14"W 231.52'  
 NOTE: THE SEC. CORNER FALLS IN SILT-COOS LAKE, THERE ARE IRON PIPES ON THE SHORELINE SET BY FORREST A. COLLING IN 1971 (M41-16). I HAVE TIED THESE PIPES AS B.O.'S TO KARL F. FOESTE'S DOUBLE PROPORTION POSITION OF THE SEC. CORNER FOR FUTURE USE.

DETAIL "A"



DETAIL "B"



**Section Subdivide**  
 Located in S11, T20S, R12W, W.M., Douglas County

COUNTY SURVEYORS FILE DATA  
 DO NOT REMOVE FROM OFFICE