

PROPERTY SURVEY FOR JERRY HARRIS

LOCATED IN SECTIONS 14 & 15 T.22 S.. R.10 W.. W.M. DOUGLAS COUNTY, OREGON

FILED *JP*

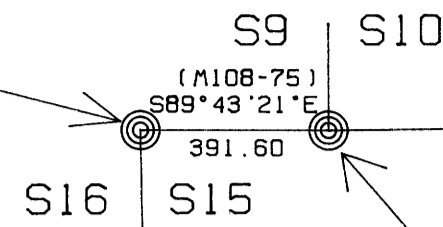
OCT 18 1991 *JP*

COUNTY SURVEYOR
DOUGLAS COUNTY, ORE.

CC S15 & S16

SEE OUR SURVEY M108-75
BY RON STUNTZNER FOR THE
DESCRIPTION OF THIS POINT

(WEST 6chs GLO)



(WEST 40chs GLO)

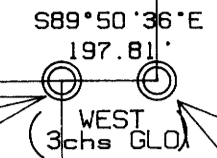
N89°21'09"E 2303.14

NOT FD

(WEST 40chs GLO)

N89°29'13"E 2506.68

S10 S11



(WEST 3chs GLO)

S15 S14

CC S14 & S15

FOUND STONE AS CALLED FOR IN ORIG.
GLO NOTES. MARKS PLAIN.
FD BT'S: ROTTEN FIR SNAG BRS S1°E
79.7' (89.1' ORIG.)
ROTTEN FIR STUMP BRS N3°W
36.3' (ORIG)
THE ORIG SW BT IS DOWN
MKD BT'S: 6' FIR SCRIBED *S15 BT*
W/ X AND TAG BRS S38°W 17.3'
6' FIR SCRIBED *S14 BT*
W/ X AND TAG BRS S34°E 4.6'

STANDARD COR S10 & S11
SET 3/4"X30" I. ROD W/ 2" ALUM
CAP AT ORIG POSITION.
FD BT'S: ROTTEN FIR SNAG BRS
N72°W 121.1' (125.4' ORIG).
ROTTEN FIR SNAG BRS
N5°E 84.1' (99.0' ORIG).
ROTTEN FIR SNAG BRS
S84°E 52.5' (54.8' ORIG).
MKD BT'S: 38' FIR SCRIBED *T22S
R10W S10 BT* W/ X AND TAG BRS
N86°W 11.3'.
18" ALDER BARK SCRIBED
* T22S R10W S11 BT* W/ X AND TAG
BRS N25°E 48.5'.

SECTION 15 NARRATIVE

THE PURPOSE OF THIS SURVEY WAS TO MARK THE
LINES AND SET THE CORNERS SHOWN FOR LOGGING
PURPOSES. I STARTED MY TRAVERSE BY TIEING INTO
THE CONTROL WE ESTABLISHED DURING OUR SURVEY OF
SECTION 16 (M108-75 BY RON STUNTZNER). AT THE
SE CORNER OF SECTION 16. PROCEEDING EAST I TIED
THE WITNESS POINT TREE. THE ORIG 1/4 S15 & S22.
AND THE ORIG CORNER S14, S15, S22 AND S23. I
THEN TRAVERSED NORTH TO THE RIVER WHERE I WAS
UNABLE TO FIND EITHER MEANDER CORNER. I
CONTINUED NORTH TO THE CLOSING CORNER FOR S14
AND S15 WHERE I FOUND THE ORIG STONE WITH MARKS
PLAIN. I THEN TRAVERSED EAST TO THE STANDARD
CORNER WHERE I LOCATED THE ORIG BT'S. I FOUND A
ROTTEN STONE AT THE CORNER WITH NO MARKS
DISCERNABLE. THE BT DISTANCES TO BOTH OF THESE
CORNERS DO NOT AGREE WITH RECORD. I SET THE COR
USING BEARING INTERSECT FROM THE THREE BT'S. THE
ORIGINAL PLAT SHOWS THAT THE THREE CHAIN EXCESS
ALONG THE NORTH LINE IS THROWN TO THE WEST. I
CALCULATED THE NORTH 1/4 BY PROPORTION BETWEEN
THE NE CLOSING CORNER AND THE NW CLOSING CORNER
TIED BY THIS OFFICE IN SURVEY M108-75. I THEN
ADJUSTED IT TO THE LINE BETWEEN THE STANDARD
CORNERS. I THEN SET THE S1/16, SE1/16 AND A
POINT ON THE SE 1/4 1/4 LINE AS PER STANDARD
BLM MANUAL. EQUIPMENT USED WAS A LIETZ SET 2
TOTAL STATION.

BASIS OF BEARINGS

THE BASIS OF BEARINGS IS SOLAR AS TAKEN FROM
CS58/256 IN OUR SURVEY M108-75 AND NOW USED
HERE.

S1/16 S15 & S16
SEE OUR SURVEY M108-75
BY RON STUNTZNER FOR THE
DESCRIPTION OF THIS POINT

COR S15, S16, S21, S22

FD BRASS CAP AT EDGE OF HWY CUT.
FD BO: + MARK ON ROCK BLUFF BRS
S89 1/2°W 43.4'
FD BT'S: 42' FIR W/ HEALED FACE
BRS S86°E 106.3'
35' FIR W/ HEALED FACE
BRS S47°W 44.1'

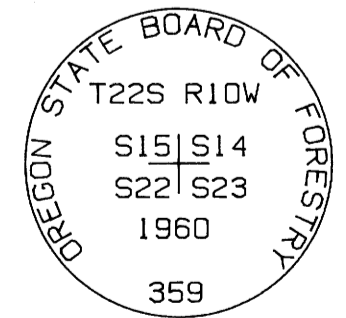
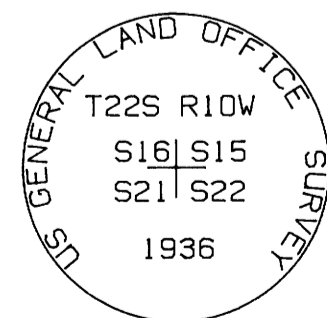
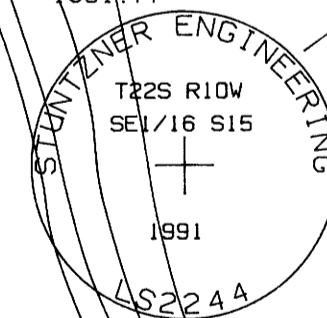
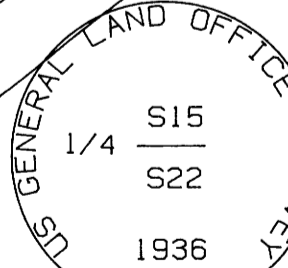
WITNESS POINT

FD 40' FIR W/ OPENED FACE
ON NORTH SIDE AND HEALED
FACE ON SOUTH SIDE (ORIG).
FD BT: 32' FIR W/ HEALED
FACE BRS N46°W 21.5' CENTER
TO CENTER (N42°W 25' ORIG)

1/4 S15 & S22

FD 2 1/2" BRASS CAP W/
ORIG STONE ALONGSIDE
FD BT'S: 43' FIR STUMP W/
HEALED FACE BRS N37°W 20.5'
48' FIR STUMP W/
HEALED FACE BRS S38°E 29.0'
NEW BO: POWER POLE No. 9E
BRS N31°E 81.3'

UMPQUA RIVER



LEGEND

- ⊙ CORNER FOUND
- CORNER SET
- ⊙ CORNER FROM M108-75
- () RECORD INFO
- LINE BLAZED

NOTES

BEARINGS TO BT'S WERE TAKEN
WITH HAND COMPASS (DEC'L 19°E)
DISTANCES TO SIDE CENTER

SCALE
1" = 400'

DATE
AUG 1991

REGISTERED
PROFESSIONAL
LAND SURVEYOR
Harvey Wilcox
OREGON
JULY 17, 1986
HARVEY WILCOX
2244

SURVEY FOR JERRY HARRIS

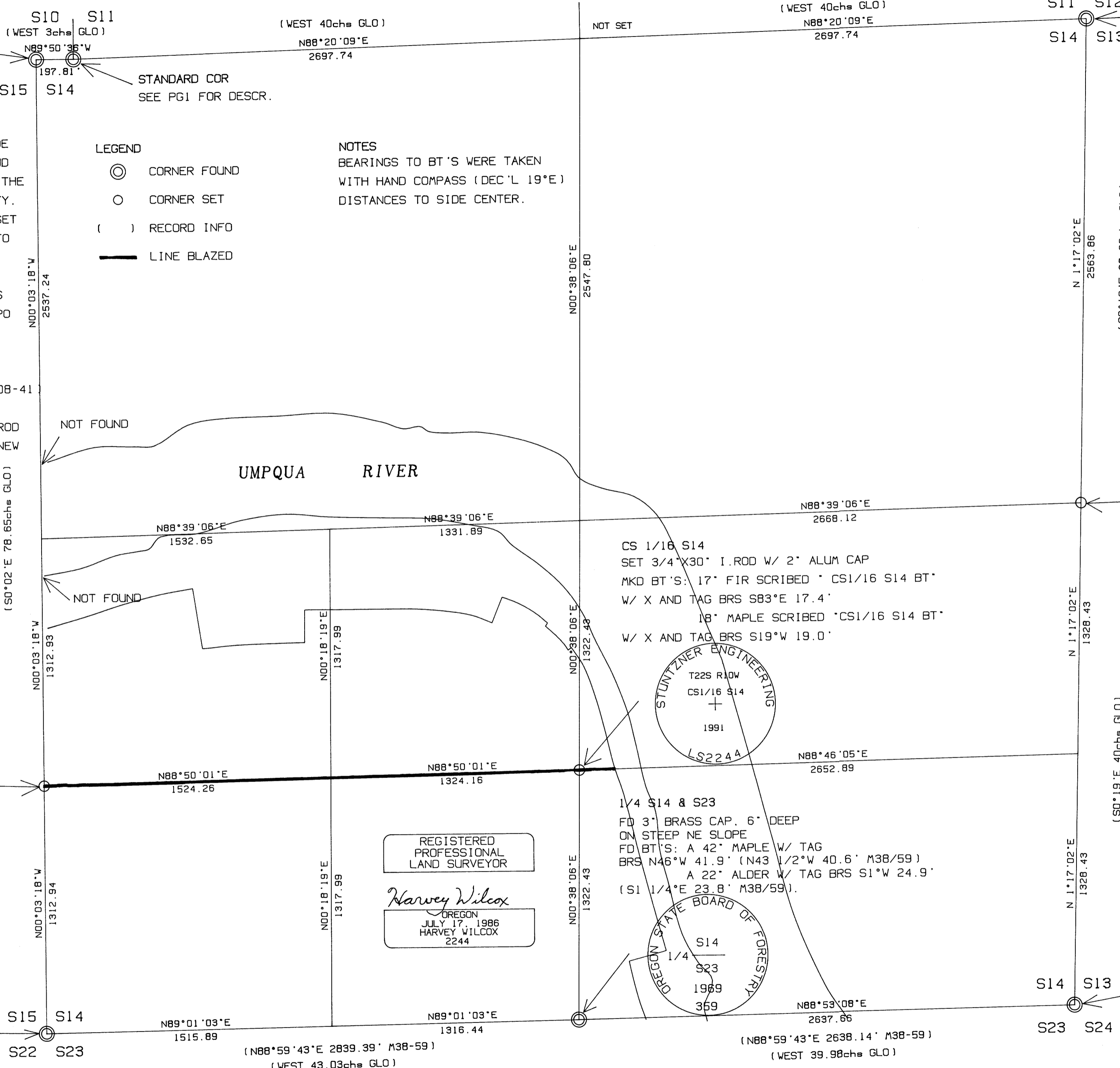
LOCATED IN SECTION 14, T.22 S., R.10 W., W.M. DOUGLAS COUNTY, OREGON

SCALE 1"=400' DATE AUG 1991

SECTION 14 NARRATIVE
 THE PURPOSE OF THIS SURVEY WAS TO SET THE CORNERS AND MARK THE LINES SHOWN FOR LOGGING PURPOSES. I FOUND THE CORNERS ON THE WEST SIDE OF THE SECTION AS DESCRIBED ON PAGE 1. I FOUND THE S1/4 AS PROPORTIONED IN BY THE STATE AND THE ORIG. SE CORNER AS REESTABLISHED BY THE COUNTY. I THEN TRAVERSED NORTH TO THE 1/4 CORNER AS SET BY THIS OFFICE (M108-41). I CONTINUED NORTH TO THE NE SECTION CORNER WHICH I REESTABLISHED FROM ORIGINAL BT'S. I FOUND 3 OF THE 4 BT'S NOW ROTTEN SNAGS. THE RELATION OF THESE SNAGS MATCHES RECORD AND PUTS THE CORNER AT THE TOPO CALLS TO THE NORTH, SOUTH AND EAST. AFTER DISCUSSION WITH RON STUNTZNER WE DECIDED THE LOCATION OF THIS CORNER CAST A DOUBT ON THE POSITION OF THE 1/4 CORNER AS SET BY RON (M108-41) SO WE REESTABLISHED THE 1/4 CORNER AT THE PROPORTIONATE POSITION. WE PULLED THE OLD 1. ROD AND CHOPPED OFF THE BLAZES ON THE BT'S. THE NEW 1/4 BRS N64°08'08"E 147.67' FROM THE OLD. WE DID NOT FIND THE N1/4 SO I PROPORTIONED IT IN. THE ORIGINAL PLAT SHOWS THAT THIS CORNER WAS INTENDED TO BE STANDARD WITH THE 3 CHAINS THROWN TO THE WEST. THIS GAVE ME THE CONTROL I NEEDED TO SUBDIVIDE THE SECTION AS PER THE BLM MANUAL.

- LEGEND**
- ⊙ CORNER FOUND
 - CORNER SET
 - () RECORD INFO
 - LINE BLAZED

NOTES
 BEARINGS TO BT'S WERE TAKEN WITH HAND COMPASS (DEC'L 19°E) DISTANCES TO SIDE CENTER.



S1/16 S14 & S15
 SET 3/4" X 30" I. ROD W/ 2" ALUM CAP
 MKD BT'S: 17" FIR SCRIBED °CS1/16
 S14 BT° W/ X AND TAG BRS S83°E 17.4'
 18" MAPLE SCRIBED °CS1/16
 S15 BT° W/ X AND TAG BRS S19°W 19.0'

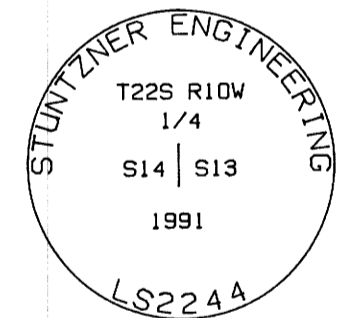
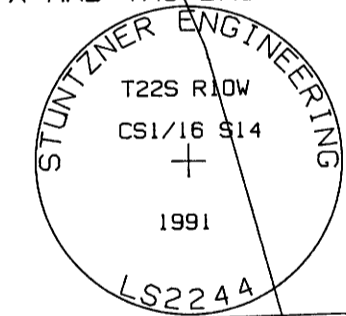
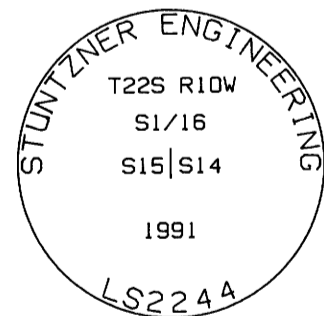
CS 1/16 S14
 SET 3/4" X 30" I. ROD W/ 2" ALUM CAP
 MKD BT'S: 17" FIR SCRIBED °CS1/16 S14 BT°
 W/ X AND TAG BRS S83°E 17.4'
 18" MAPLE SCRIBED °CS1/16 S14 BT°
 W/ X AND TAG BRS S19°W 19.0'

1/4 S14 & S23
 FD 3" BRASS CAP. 6" DEEP
 ON STEEP NE SLOPE
 FD BT'S: A 42" MAPLE W/ TAG
 BRS N46°W 41.9' (N43 1/2°W 40.6' M38/59)
 A 22" ALDER W/ TAG BRS S1°W 24.9'
 (S1 1/4°E 23.8' M38/59).

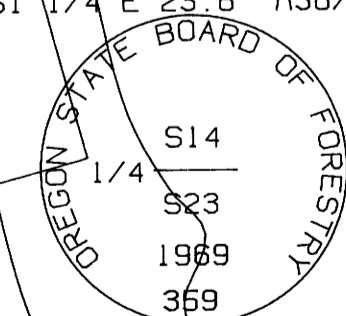
SECTION COR
 SET 3/4" X 30" I. ROD W/
 2" ALUM CAP. FLUSH
 FD BT'S: FIR SNAG BRS
 N21°W 46.2' (ORIG).
 FIR SNAG BRS
 S80°E 57.4' (ORIG).
 FIR SNAG BRS
 N83°E 57.4' (ORIG)

1/4 S13 & S14
 SET 3/4" X 30" I. ROD
 W/ ALUM CAP S69°E
 AND 8.5' FROM A 70"
 FIR. SEE NARRATIVE
 FOR MONUMENT REMOVED.
 MKD BT'S: 15" FIR
 SCRIBED °1/4 S14 BT°
 W/ X AND TAG BRS
 S81°W 19.3'
 15" ALDER
 BARK SCRIBED °1/4 S13
 BT° W/ X AND TAG BRS
 S27°E 43.4'
 17" ALDER
 BARK SCRIBED °1/4 S13
 BT° W/ X AND TAG BRS
 S27°E 43.4'
 51" FIR
 SCRIBED °1/4 S14 BT°
 W/ X AND TAG BRS
 S16°W 43.3'

SECTION COR
 FD 1 1/4" OD 1. PIPE W/
 SIGN ALONGSIDE
 FD BT'S: 30" FIR BRS
 N75°E 24.0'
 12" FIR BRS
 S47°E 35.2'
 10" FIR BRS
 N27°W 37.9'
 10" FIR BRS
 S44°W 44.7'



REGISTERED
 PROFESSIONAL
 LAND SURVEYOR
Harvey Wilcox
 OREGON
 JULY 17, 1986
 HARVEY WILCOX
 2244



FILED
 OCT 18 1991
 COUNTY SURVEYOR
 DOUGLAS COUNTY, OREG.