

COUNTY SURVEYORS FILE DATA
DO NOT REMOVE FROM OFFICE

FILED

SEP 29 1989

COUNTY SURVEYOR
DOUGLAS COUNTY, ORE

SHEET 1 OF 3

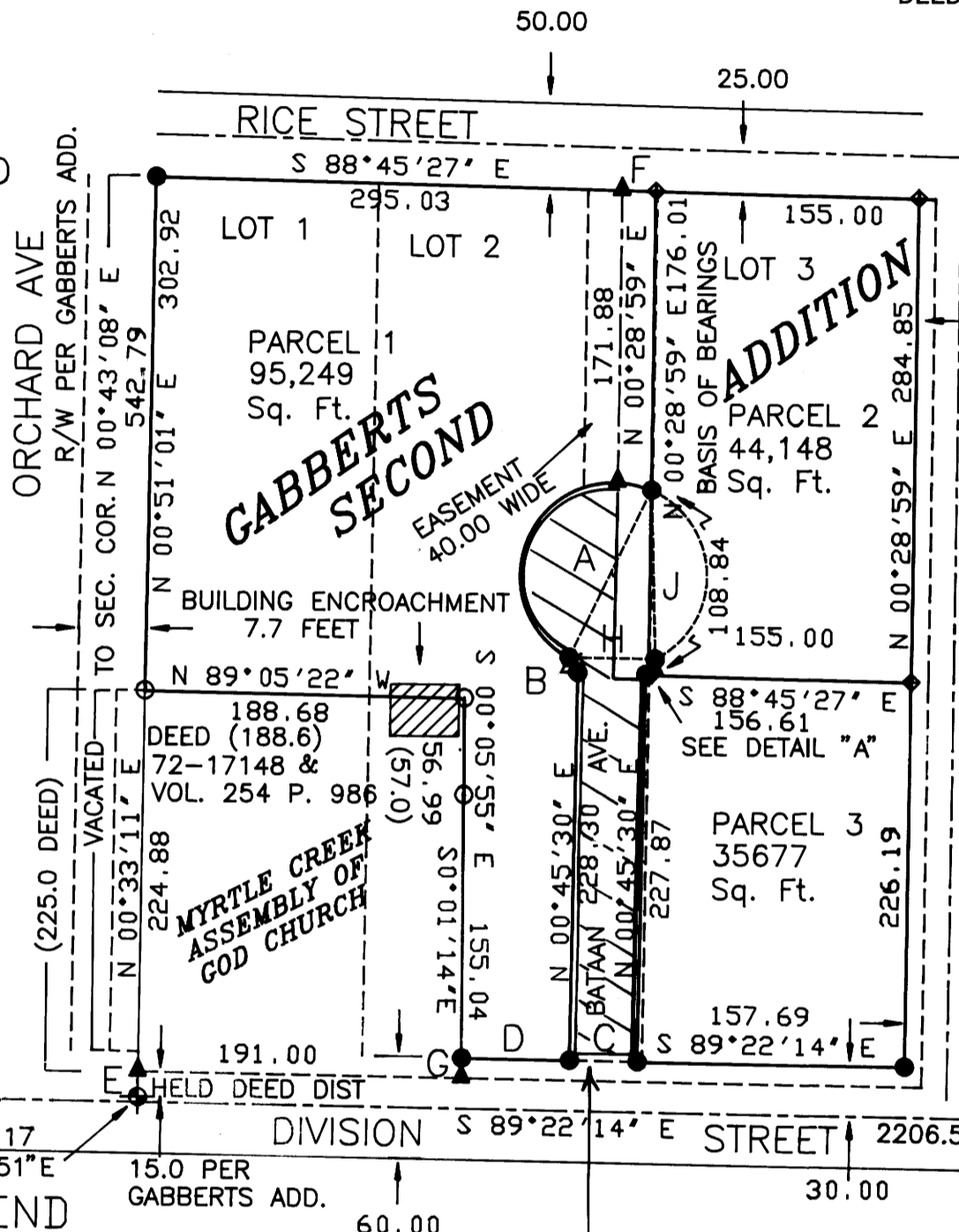
MAJOR LAND PARTITION

LOCATED in LOTS 1, 2, & 3 of GABBERTS SECOND ADDITION TO THE TOWN OF MYRTLE CREEK, in SW 1/4 S. 22, T.29 S., R.5 W., W.M.

DEED VOLUME 225 PAGE 318

SHORT LINE AND CURVE INDEX

- A N 25°47'38" E
LC=109.92
R=55.00
L=168.61
- B S 30°38'13" E
LC=10.42
R=10.00
L=10.96
- C 40.00
- D 63.62
- E 15.00
- F S 88°45'27" E
20.00
- G 11.94
- H S 89°30'32" E
50.75
- J N 1°40'58" W
LC=99.45
R=55
L=124.21

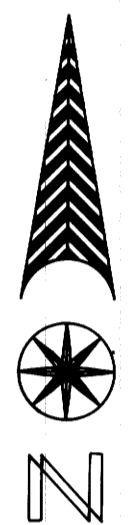


10 FT. OF ADDITIONAL RIGHT OF WAY TO BE DEDICATED

PORTION OF CUL-DE-SAC ON PARCEL TWO TO BE DEDICATED BY OWNERS AT A LATER DATE

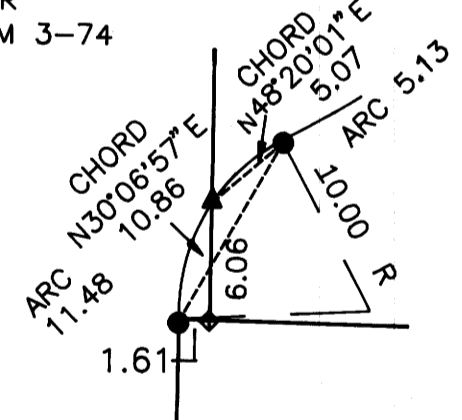
DIVISION STREET RIGHT OF WAY TO BE DEDICATED TO FULL 30 FT WIDTH

50.00 PER SURVEY RM 3-74



BEARINGS BASED ON SURVEY RM 3-74

SCALE 1"=100'



DETAIL "A"
DETAIL SCALE
1"=10'

STA 5+63.49 S 89°40'51"E 566.17
 15.00 PER GABBERTS ADD. 60.00
 LEGEND
 30.00
 STA 27+68.86

- ◆ FOUND 5/8" IRON ROD WITH PLASTIC CAP MARKED "D. A. EDWARDS RPLS 2339"
 - FOUND 1/2" IRON ROD PER DEED
 - ◆ FOUND 3" BRASS CAP, CORNER TO SECTIONS 21, 22, 27, & 26 T29S, R5W, PER STATE HIGHWAY DIVISION
 - ⊗ FOUND 3" BRASS CAP, CENTERLINE OF DIVISION PER STATE HIGHWAY DIVISION
 - SET 5/8" X 30" IRON ROD WITH 3/4" BRASS WASHER MARKED "LS 866"
- ▲ CALCULATED POINT
() RECORD

VACATED BY CITY OF MYRTLE CREEK.
ORDINANCE No. 725, RECORDED OCT. 28, 2002
INST. No. 2002-027440, CO. CLERK RECORDS
C.S. FILE 66/35-3

APPROVALS
Laura Pringle 9-20-89
 CITY RECORDER DATE
Robert M. Carr 9-21-89
 PLANNING COM. CHRMN DATE
Robert M. Carr 20 SEPT 89
 MAYOR DATE
Francis L. Ingram 9-29-89
 COUNTY SURVEYOR DATE

PARTITIONER: **CITY OF MYRTLE CREEK**
 ADDRESS: **P.O. BOX 940
 MYRTLE CREEK, OR
 97457**
 SEWER: **CITY OF MYRTLE CREEK**
 WATER: **CITY OF MYRTLE CREEK**
 NUMBER OF LOTS: **THREE (3)**
 SURVEYED BY:
 WILLIAM J. RUPPERT
 P.O. BOX 1564
 MYRTLE CREEK, OR 97457
 DATE: SEPTEMBER 1989

Pl. 11-89. 34