

FILED 7
RECEIVED JMM

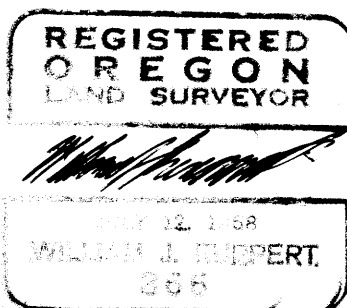
APR 5 1979

COUNTY SURVEYOR
DOUGLAS COUNTY, ORE.

SURVEY OF DEED DESCRIPTION (inst.no 73-14005) FOR *BING DOTTA* in T. 30 S., R. 6 W., Sec. 13, W.M. 13

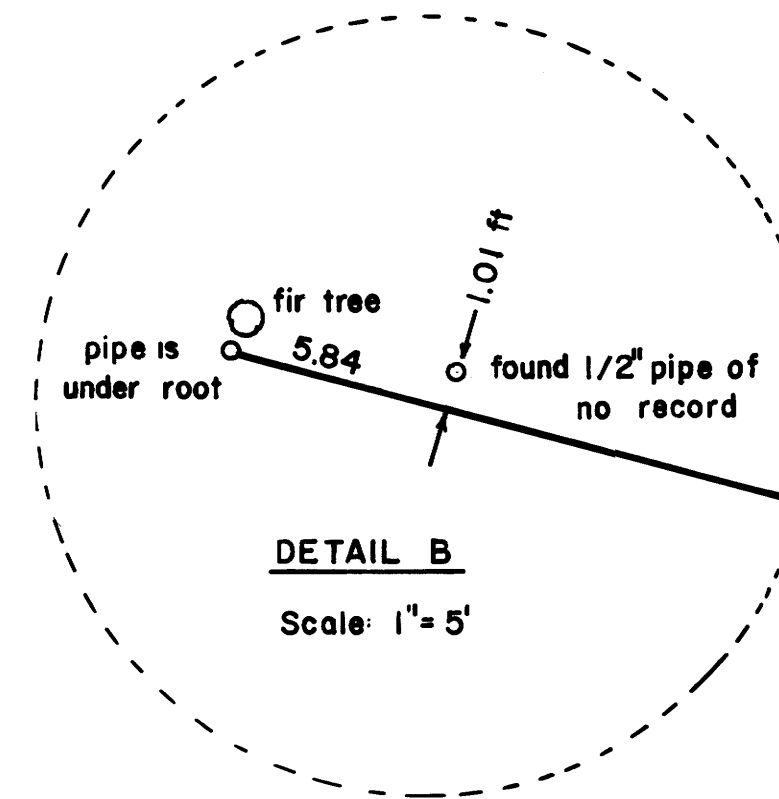
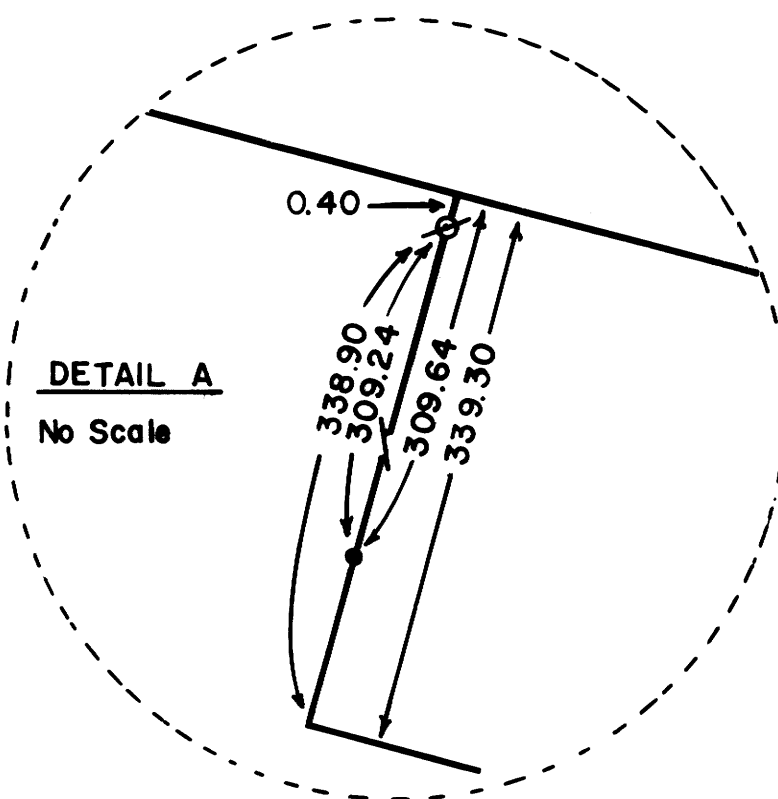
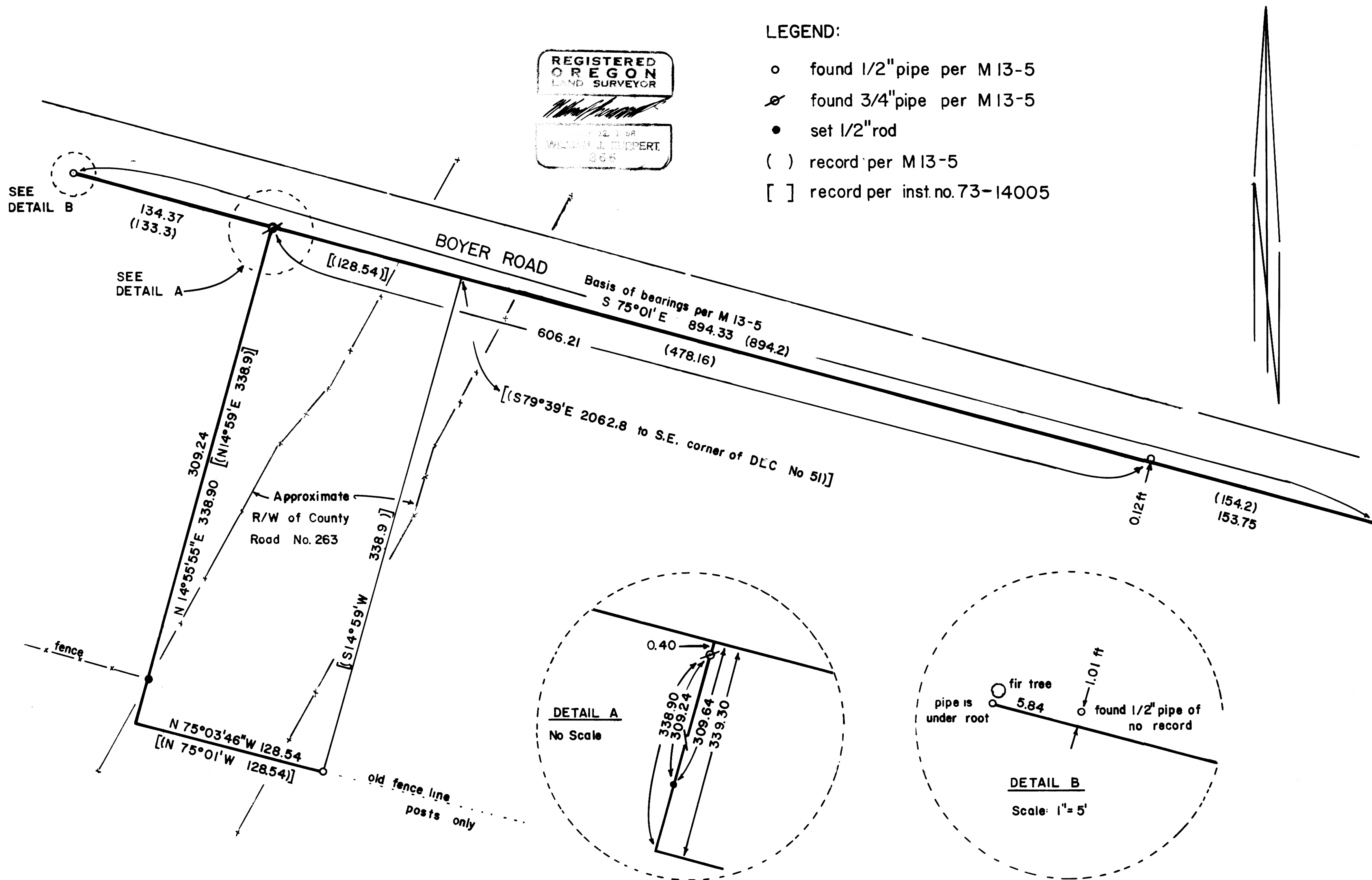
March 1979

Scale: 1" = 50'



LEGEND:

- found 1/2" pipe per M13-5
- ⊗ found 3/4" pipe per M13-5
- set 1/2" rod
- () record per M13-5
- [] record per inst.no. 73-14005



UMPQUA SURVEYING COMPANY
MYRTLE CREEK, OREGON

MAP FILE M76-33

MAP FILE M76-33