

# SURVEY FOR U.S. FOREST SERVICE

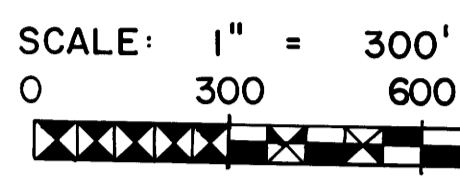
IN SECTION 33, T. 30 S., R. 2 W., WM., DOUGLAS COUNTY, OREGON  
BY UMPQUA SURVEYING COMPANY, MYRTLE CREEK, OREGON

FILED  
APR 17 1979  
COUNTY SURVEYOR  
DOUGLAS COUNTY, OREGON

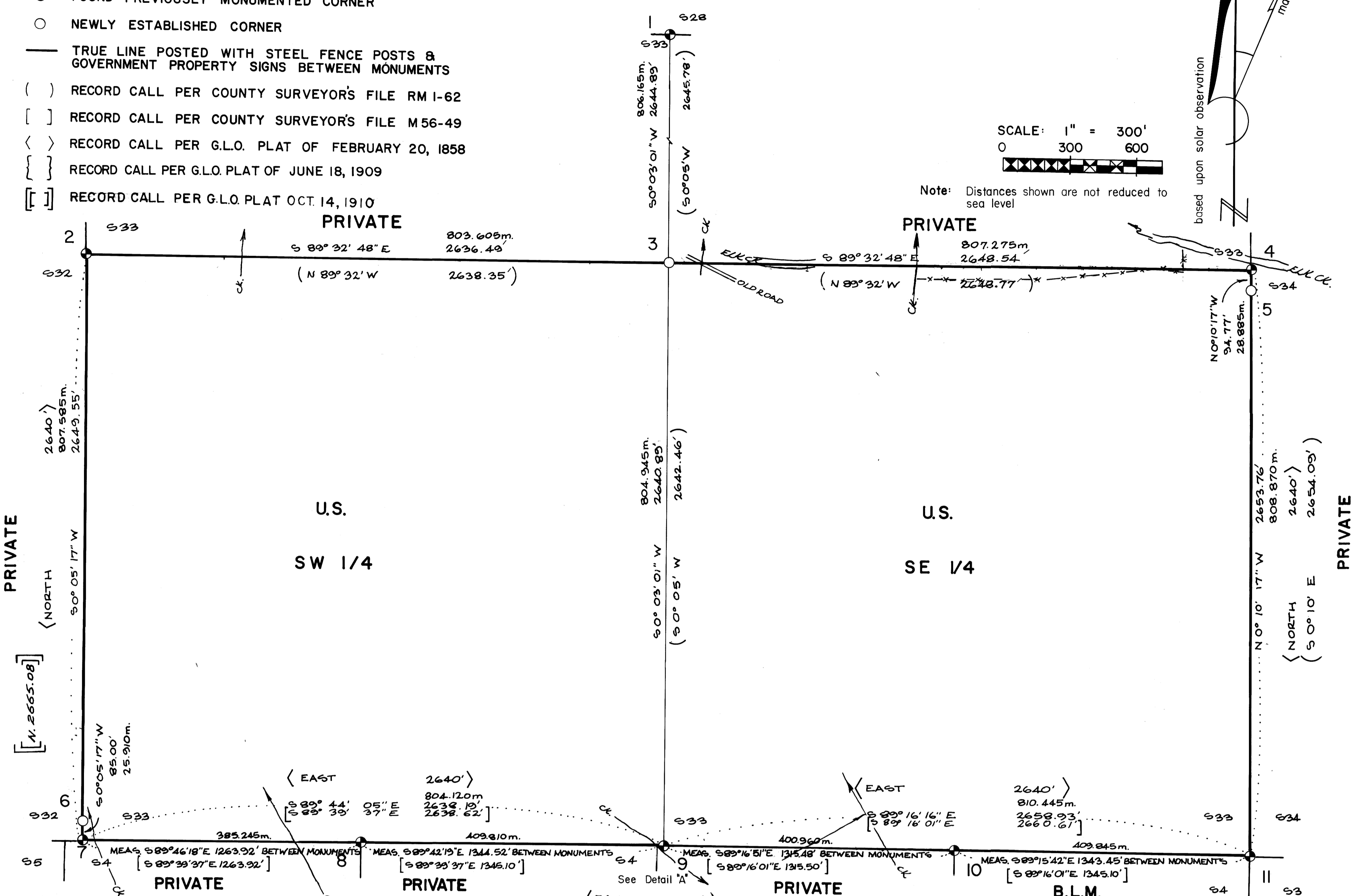
APRIL, 1979

**LEGEND:**

- ⊙ FOUND PREVIOUSLY MONUMENTED CORNER
- NEWLY ESTABLISHED CORNER
- TRUE LINE POSTED WITH STEEL FENCE POSTS & GOVERNMENT PROPERTY SIGNS BETWEEN MONUMENTS
- ( ) RECORD CALL PER COUNTY SURVEYOR'S FILE RM 1-62
- [ ] RECORD CALL PER COUNTY SURVEYOR'S FILE M 56-49
- < > RECORD CALL PER G.L.O. PLAT OF FEBRUARY 20, 1858
- { } RECORD CALL PER G.L.O. PLAT OF JUNE 18, 1909
- [ ] RECORD CALL PER G.L.O. PLAT OCT. 14, 1910



Note: Distances shown are not reduced to sea level

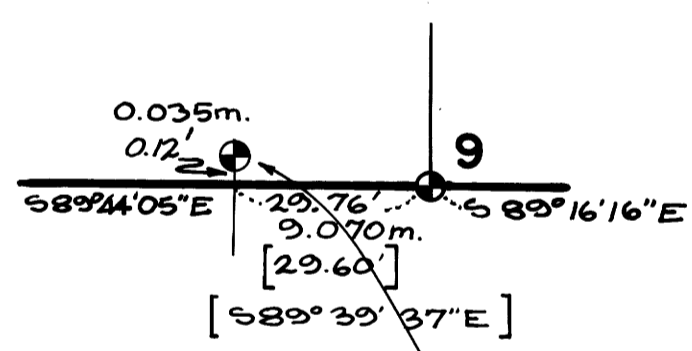


I, William J. Ruppert, a registered professional land surveyor in the State of Oregon hereby certify that this plat and the notes hereon, or attached, are a correct representation of a survey performed during January through April 1979, for the U.S. Forest Service, in accordance with the articles of my contract and with the statutes of the State of Oregon.

William J. Ruppert

REGISTERED  
PROFESSIONAL  
LAND SURVEYOR  
WILLIAM J. RUPPERT  
866

DETAIL "A"  
No Scale



- 1 FOUND: 2 1/2" IRON PIPE WITH NIPPLE. (NO CAP) STONE MARKED "1/4" 6" SOUTH OF PIPE  
24" FIR STUMP BURNED FACE S 7° 32' W 101.0 FT  
18" FIR STUMP BURNED FACE S 33° BT VIS. S 79° 16' W 108.5 FT  
24" MADRONE, FAINT BARK SCRIBING VIS. N 45° 40' E 156.6 FT  
24" CEDAR, T305 R2W S33 1/4 S BT VIS. S 57° 08' E 153.9 FT  
SET: 2" X 30" GALV. IRON PIPE WITH 2 1/2" BRASS CAP BURIED 2 1/2" IRON PIPE AND STONE WITH 2" X 30" IRON PIPE IN MOUND OF STONES.
- 2 FOUND: STONE SET FIRMLY IN GROUND WITH "X" OUTTOP AND "1/4" ON WEST FACE  
42" D.FIR S 85° 13' W 35.4 FT "1/4" S 32 BT VISIBLE  
28" D.FIR S 64° 28' E 8.0 FT GOOD SCAR  
20" MADRONE WINDFALL N 76° W 12.5 FT  
SET: 2" X 30" GALV. IRON PIPE WITH 2 1/2" BRASS CAP BURIED THE STONE WITH THE PIPE
- 3 SET: 2" X 30" GALV. IRON PIPE WITH 2 1/2" BRASS CAP IN MOUND OF STONES  
SCRIBED B.T.S.:  
18" D.FIR "C14 S33 BT" N 7° 38' W 27.8 FT  
8" CEDAR "C14 S33 BT" N 56° 46' E 26.3 FT
- 4 NO MONUMENT FOUND AT CORNER, CORNER RELOCATED FROM BEARING TREES PER CS 55/51 OF COUNTY SURVEYOR'S RECORDS. TREES NOW BEAR:  
18" D.FIR N 18° 44' E 98.5 FT WELL HEALED  
20" CEDAR N 65° 11' E 86.9 FT SCRIBING VISIBLE  
18" D.FIR N 51° 51' W 111.9 FT WELL HEALED  
CORNER RELOCATED BY INTERSECTION OF DISTANCES FROM BEARING TREES PER CS 55/51. CORNER FALLS IN ELK CREEK.
- 5 SET: WITNESS CORNER A 2" X 30" GALV. IRON PIPE WITH 2 1/2" BRASS CAP IN MOUND OF STONES  
SCRIBED B.T.S.:  
9" D.FIR N 64° 15' W 58.0 FT "WC. 1/4 S33 BT"  
6" W.FIR S 13° 39' E 11.4 FT "WC. 1/4 S34 BT"
- 6 SET: WITNESS CORNER A 2" X 30" GALV. IRON PIPE WITH 2 1/2" BRASS CAP  
SCRIBED B.T.S.:  
15" D.FIR N 57° 08' W 12.5 FT "WC. T305 R2W S32 BT"  
6" D.FIR S 10° 21' E 8.7 FT "WC T305 R2W S33 BT"
- 7 FOUND: 5/8" IRON ROD, PER M 56-49 DOUGLAS COUNTY SURVEYOR'S RECORDS, AT UP ROOT OF LARGE FIR (NO CAP)  
22" D.FIR, GOOD SCAR, N 25° 57' W 33.9 FT  
8" D.FIR, SCRIBING PARTLY VIS. N 85° 44' E 71.8 FT
- 8 FOUND: 5/8" REBAR WITH 1 1/2" AL. CAP PER M 56-49 DOUGLAS COUNTY SURVEYOR'S RECORDS  
12" D.FIR S 37° 32' E 16.5 FT SCRIBING PARTLY VIS.  
12" MADRONE S 63° 15' W 36.0 FT "1/16 BT" VISIBLE  
REFERS TO SECTION 4 ONLY  
5/8" REBAR IS 0.22' NORTH OF LINE
- 9 FOUND: 1" IRON PIPE WITH 2 1/2" BRASS CAP  
5" HEMLOCK N 29° 40' E 26.1 FT SCRIBING PARTLY VISIBLE  
30" D.FIR S 1° 43' W 6.6 FT GOOD SCAR  
26" CEDAR N 21° 32' W 12.4 FT SCRIBING PARTLY VISIBLE  
SEE DETAIL "A" THIS PLAT
- 10 FOUND: 5/8" REBAR WITH 1 1/2" AL. CAP PER M 56-49 DOUGLAS COUNTY SURVEYOR'S RECORDS  
12" D.FIR S 37° 32' E 16.5 FT SCRIBING PARTLY VIS.  
12" MADRONE S 63° 15' W 36.0 FT "1/16 BT" VISIBLE  
REFERS TO SECTION 4 ONLY  
5/8" REBAR IS 0.22' NORTH OF LINE
- 11 FOUND: 20" CEDAR CORNER TREE 1" PIPE WITH 2 1/2" BRASS CAP BEARS S 46° W 1.3 FT  
24" STUMP VERY ROTTEN S 35° 52' E 8.0 FT  
24" D.FIR GOOD FACE S 6° 22' E 14.7 FT  
20" D.FIR GOOD FACE S 68° 32' W 7.3 FT  
40" D.FIR GOOD FACE N 66° 35' W 10.4 FT  
10" D.FIR GOOD FACE N 9° 09' W 32.6 FT  
8" CEDAR WINDFALL N 26° 08' W 13.8 FT  
SCRIBED NEW BT.:  
18" D.FIR N 62° 00' E 43.3 FT  
"T305 R2W S34 BT"

Note: All bearing tree dimensions indicate the diameter of the tree at chest height.  
All bearing tree distances and bearings are from the corner to the center of the tree.

Bearing trees scribed during this survey have a brass disc stamped "LS 866" nailed to the lower blaze.

COUNTY SURVEYORS FILE DATA  
DO NOT REMOVE FROM OFFICE