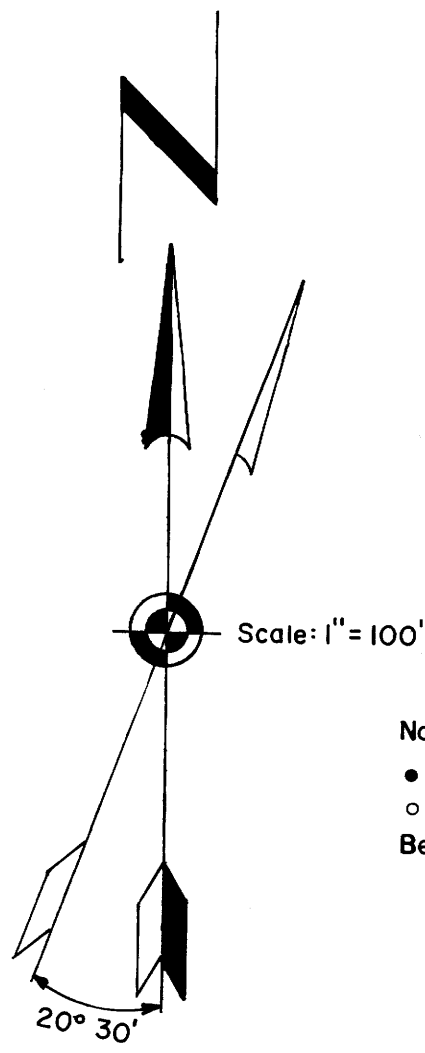


**COUNTY SURVEYORS FILE DATA**  
**DO NOT REMOVE FROM OFFICE**

Survey for Elton V. Jackson  
 Located in Section 24, T26S, R6W, W.M.  
 Douglas County, Oregon  
 by SEEK, Inc. July 8, 1968

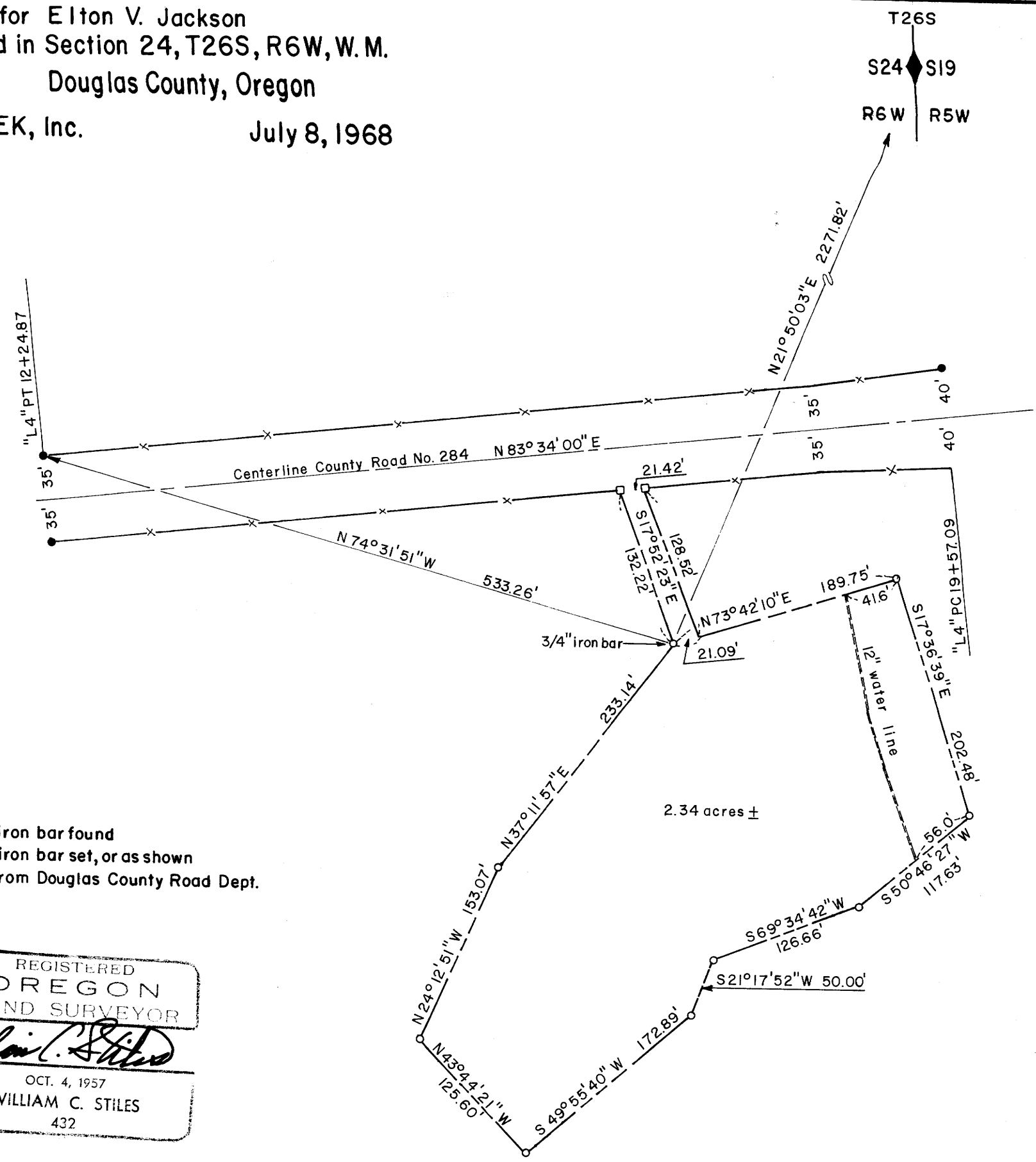
FILED  
 RECEIVED

JUL 9 1968  
 COUNTY SURVEYOR  
 DOUGLAS COUNTY, ORE.



Notes :  
 ● 3/4" iron bar found  
 ○ 5/8" iron bar set, or as shown  
 Bearings from Douglas County Road Dept.

REGISTERED  
 OREGON  
 LAND SURVEYOR  
*William C. Stiles*  
 OCT. 4, 1957  
 WILLIAM C. STILES  
 432



MAP FILE M.26 # 10