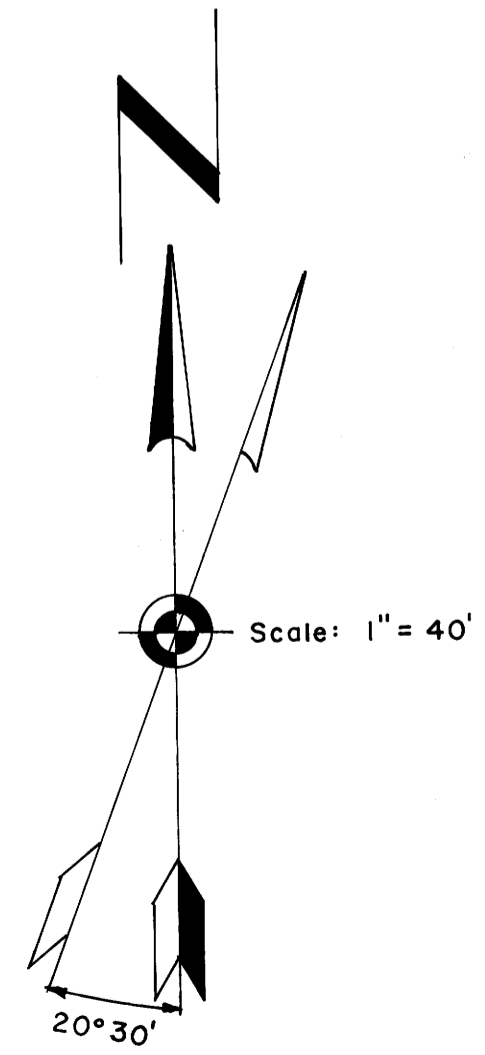


LOT 4

LOT 3

NOTE:
 Bearings based on a survey by Percy C. Armstrong, 1959
 Douglas County Surveyor's File no. M 14-14
 Elevations based on data supplied by Oregon Water Corp.

REGISTERED
 OREGON
 LAND SURVEYOR
William C. Stiles
 OCT. 4, 1957
 WILLIAM C. STILES
 432



COUNTY SURVEYORS FILE DATA
 DO NOT REMOVE FROM OFFICE

LL
 OCT 13 1967
 COUNTY SURVEYOR
 DOUGLAS COUNTY, OREGON

PLAT OF
 LOTS 3 & 4, BLOCK I, PLAT D
 UMPQUA PARK FRUIT LANDS
 SECTION 25, T27S, R6W, W.M.
 DOUGLAS COUNTY, OREGON
 Surveyed for L. & M.L. PETERSON
 by
 SEEK, INC.
 P.O. Box 375 Roseburg, Oregon 97470