

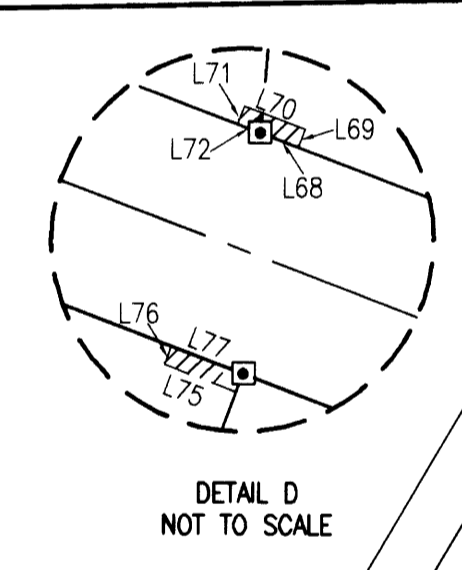
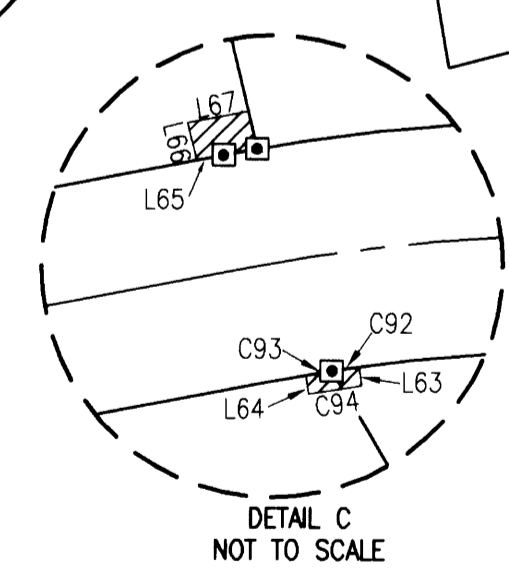
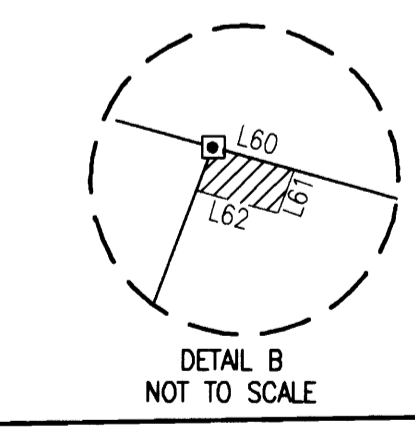
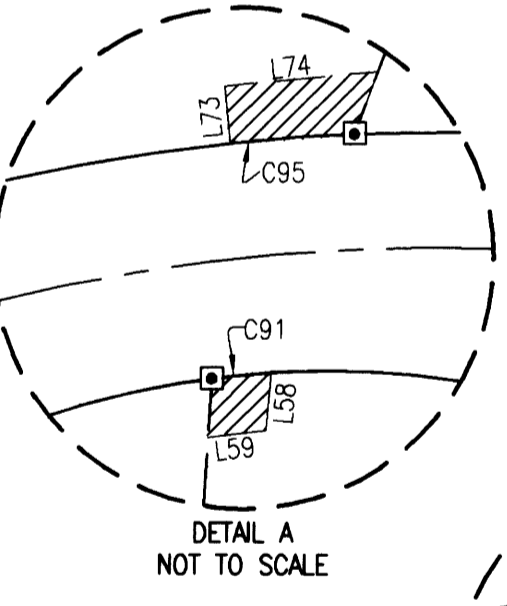
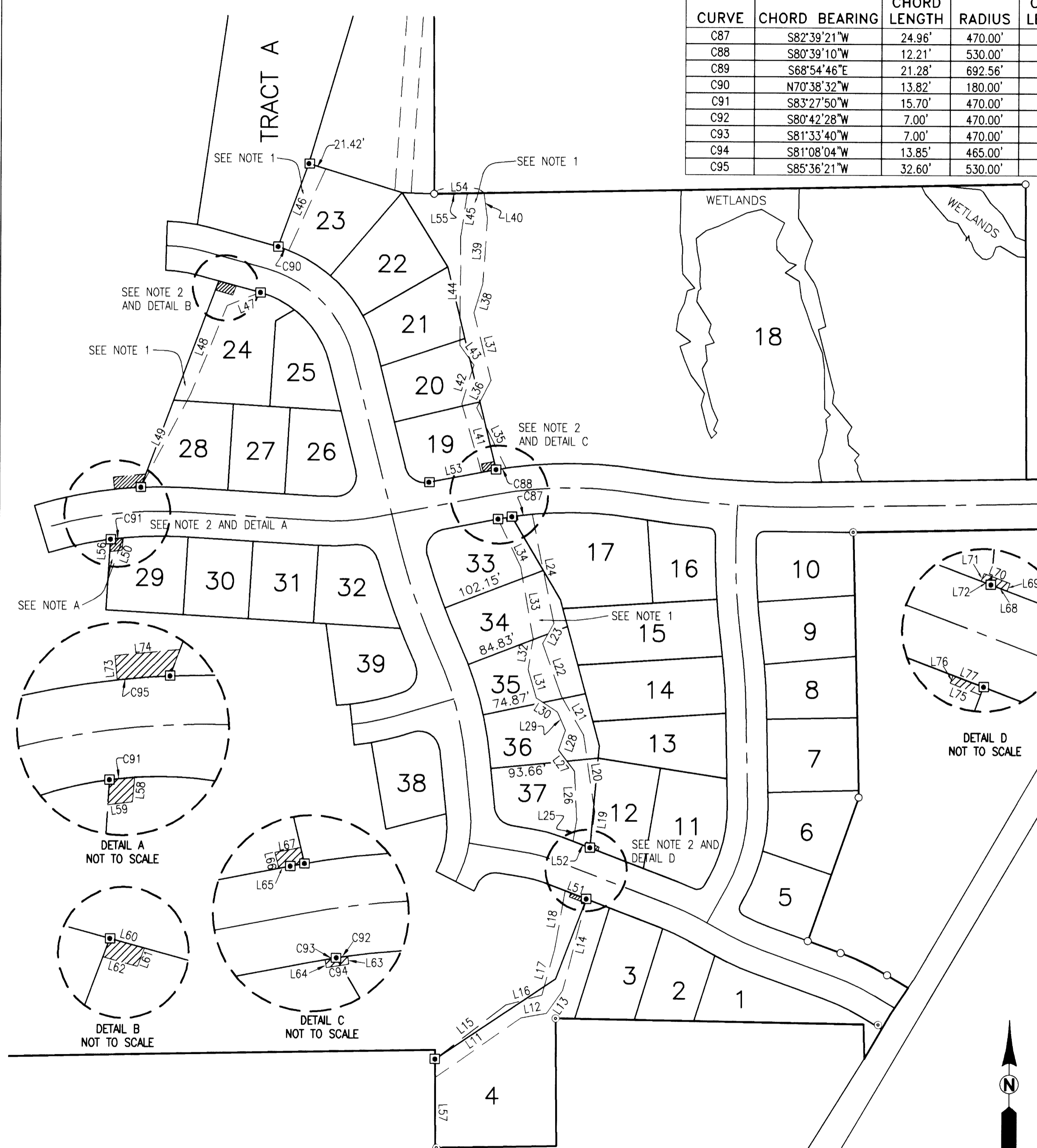
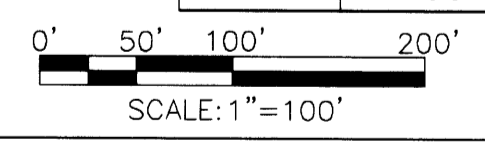
CURVE TABLE					
CURVE	CHORD BEARING	CHORD LENGTH	RADIUS	CURVE LENGTH	DELTA
C87	S82°39'21"W	24.96'	470.00'	24.96'	3°02'33"
C88	S80°39'10"W	12.21'	530.00'	12.21'	1°19'12"
C89	S68°54'46"E	21.28'	692.56'	21.29'	1°45'39"
C90	N70°38'32"W	13.82'	180.00'	13.82'	4°23'56"
C91	S83°27'50"W	15.70'	470.00'	15.70'	1°54'51"
C92	S80°42'28"W	7.00'	470.00'	7.00'	0°51'12"
C93	S81°33'40"W	7.00'	470.00'	7.00'	0°51'12"
C94	S81°08'04"W	13.85'	465.00'	13.85'	1°42'24"
C95	S85°36'21"W	32.60'	530.00'	13.85'	1°45'44"

LINE TABLE		
LINE	BEARING	LENGTH
L11	N55°04'15"E	128.31'
L12	N79°41'42"E	31.49'
L13	N35°07'47"E	34.09'
L14	N14°13'36"E	115.89'
L15	N52°22'32"E	109.00'
L16	N74°27'42"E	46.06'
L17	N15°16'16"E	57.79'
L18	N09°47'36"E	73.20'
L19	S07°08'58"W	44.42'
L20	S08°31'58"E	94.82'
L21	S30°15'46"E	54.92'
L22	S19°31'22"E	68.11'
L23	S28°45'52"W	28.03'
L24	S11°28'24"E	136.17'
L25	N09°04'41"E	26.58'
L26	N02°47'33"W	59.85'
L27	N37°28'13"W	32.28'
L28	N18°49'57"E	25.15'
L29	N23°10'59"W	24.91'
L30	N57°15'26"W	31.04'
L31	N16°19'28"W	36.02'
L32	N09°05'06"E	38.08'
L33	N10°03'26"W	89.42'
L34	N25°35'21"W	64.46'
L35	S26°04'13"E	81.88'
L36	S27°18'09"W	37.42'
L37	S14°28'07"E	85.43'
L38	S17°03'04"W	36.97'
L39	S03°41'45"W	80.04'
L40	S07°34'48"E	31.84'
L41	N16°21'50"W	87.08'
L42	N17°12'27"E	49.48'
L43	N35°33'56"W	29.23'
L44	N00°09'45"E	134.77'
L45	N08°23'48"E	52.46'
L46	S24°14'22"W	107.82'
L47	S68°15'36"W	43.63'
L48	S22°15'38"W	117.07'
L49	S27°54'45"W	129.53'
L50	S19°57'45"W	54.82'
L51	N69°10'22"W	27.84'
L52	S69°10'22"E	22.07'
L53	N79°01'38"E	65.67'
L54	N88°49'01"E	60.89'
L55	N88°49'01"E	40.43'
L56	S03°35'07"W	49.83'
L57	N00°18'02"W	86.10'
L58	N05°17'48"E	15.22'
L59	S83°05'50"W	15.25'
L60	S74°41'30"E	22.09'
L61	S20°30'23"W	12.05'
L62	N74°41'30"W	22.09'
L63	N08°00'44"W	5.00'
L64	N09°43'08"W	5.00'
L65	S79°01'38"E	7.09'
L66	N13°40'42"W	10.01'
L67	N79°01'38"E	16.02'

- NOTES:**
- THE CONSERVATION EASEMENTS DEPICTED ON THIS PLAT ARE FOR THE PURPOSE OF ACCESS AND MAINTENANCE FOR THE EXISTING WATERCOURSES THAT ARE LYING WITHIN THEM AS SHOWN. SAID CONSERVATION EASEMENTS ARE SUBJECT TO RESTRICTIONS PER INSTRUMENT # 2006-018178.
 - HATCHED AREAS REPRESENT PUBLIC STORM DRAIN EASEMENTS FOR THE MAINTENANCE OF THE INLET AND OUTLET STRUCTURES. SEE DETAILS.

LINE TABLE		
LINE	BEARING	LENGTH
L68	S69°10'22"E	10.59'
L69	N20°49'38"E	5.00'
L70	N69°10'22"W	17.00'
L71	N20°49'38"E	5.00'
L72	S69°10'22"E	6.41'
L73	N20°49'38"E	5.00'
L74	N69°10'22"W	17.00'
L75	N69°10'21"W	20.00'
L76	S69°10'21"W	4.69'
L77	S69°10'21"E	20.00'

- LEGEND:**
- SET 5/8" x 30" IR w/CAP MARKED "I.E. ENGINEERING" UNLESS OTHERWISE NOTED
 - ◼ SET 5/8" x 30" IR w/ALUMINUM CAP MARKED "I.E. ENGINEERING" UNLESS OTHERWISE NOTED
 - FOUND 5/8" IRON ROD UNLESS OTHERWISE NOTED
 - ⊙ FOUND 1" IRON PIPE UNLESS OTHERWISE NOTED
 - ⬢ FOUND BRASS CAP
 - △ CALCULATED POSITION
 - () R1 RECORD AS PER M150-54
 - () R2 RECORD AS PER CS 40/129
 - () R3 RECORD AS PER M138-41
 - () R4 RECORD AS PER M57-5
 - () R5 RECORD AS PER CS 55/244-2
 - () R6 RECORD AS PER M69-64
 - () R7 RECORD AS PER PP 2002-0026
 - () R8 RECORD AS PER INST. 2000-17773
 - () R9 RECORD AS PER INST. 1997-2087573



REGISTERED PROFESSIONAL LAND SURVEYOR

Ronald A. Quimby

OREGON
JULY 14, 1978
RONALD A. QUIMBY
1654

EXPIRES: 12/31/2008

OAK MEADOWS SUBDIVISION PHASE 1 AND 2
LYING IN SECTION 22, TOWNSHIP 27 SOUTH, RANGE 6 WEST, WILLAMETTE MERIDIAN, DOUGLAS COUNTY, OREGON

SURVEYED FOR:
LOOSLEY DEVELOPMENT CO. L.L.C.
239 MAPLEWOOD LN.
ROSEBURG, OR 97470

SURVEYED BY:
i.e.
ENGINEERING
505 SE Main Street
Roseburg, Oregon 97470
PHONE (541) 673-0166
FAX (541) 440-9392
iemail@ieengineering.com

DWG. BY: JDL
PM: RNP

JOB NO: 280-15
DATE: JUNE, 2007

SCALE: AS SHOWN

PAGE: 5 OF 6