

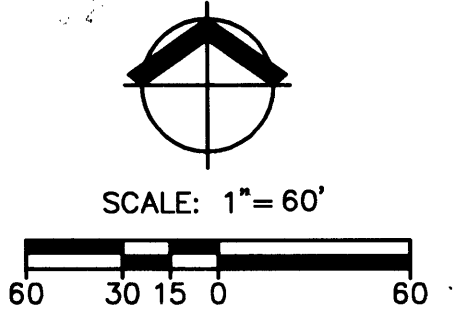
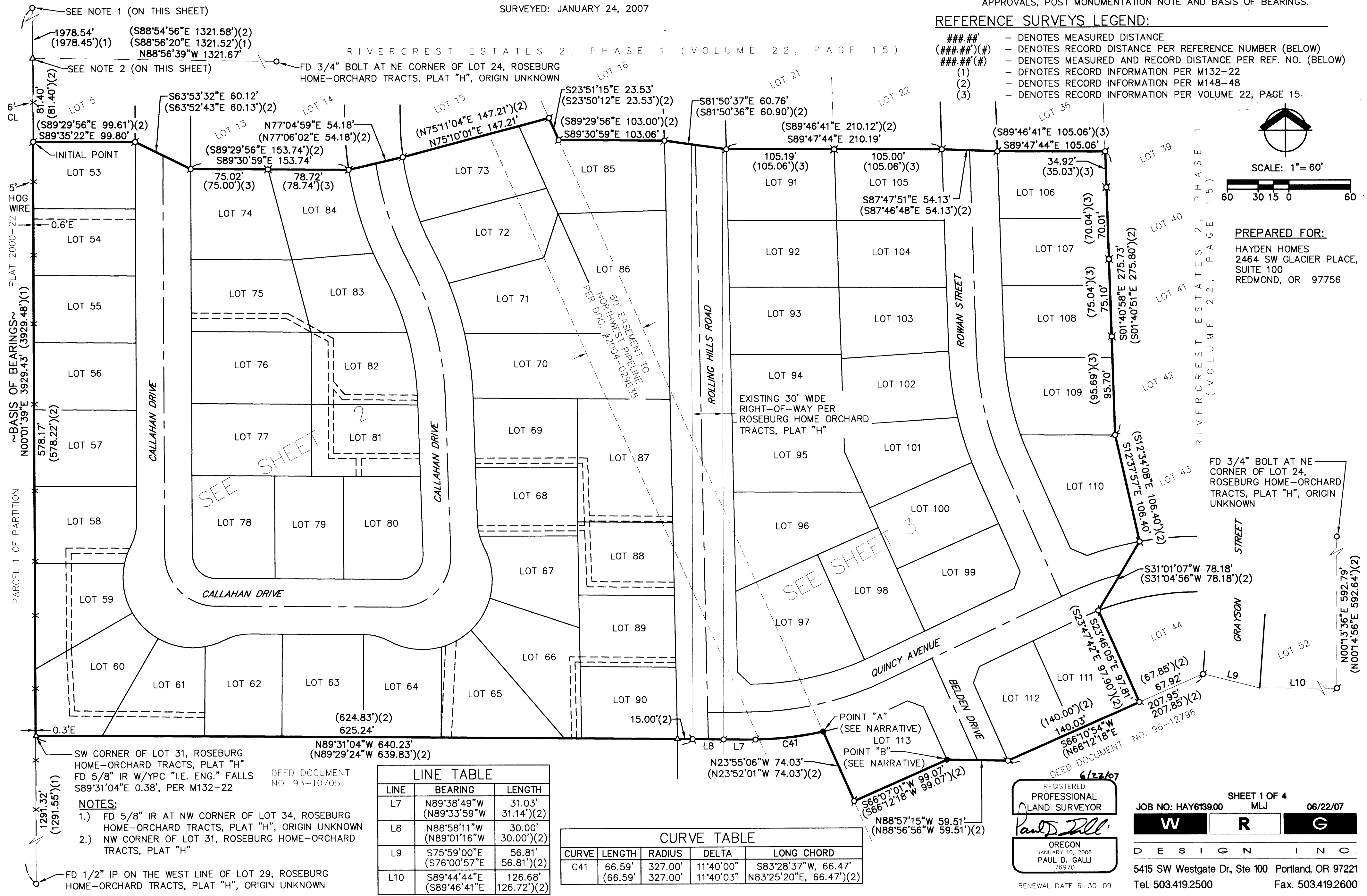
RIVERCREST ESTATES 2, PHASE 2

LOCATED IN THE SOUTHWEST ONE-QUARTER OF SECTION 10,
 TOWNSHIP 28 SOUTH, RANGE 6 WEST, W.M.
 DOUGLAS COUNTY, OREGON

SURVEYED: JANUARY 24, 2007

PAGE INDEX:
 SHEET 1: OVERALL BOUNDARY, EASEMENT OF RECORD, AND PAGE INDEX.
 SHEET 2: LOTS 53-90, LEGEND AND REFERENCES.
 SHEET 3: LOTS 91-113, LEGEND, NOTES AND RESTRICTIONS.
 SHEET 4: SURVEYOR'S CERTIFICATE, DECLARATION, ACKNOWLEDGMENT, COUNTY APPROVALS, POST MONUMENTATION NOTE AND BASIS OF BEARINGS.

REFERENCE SURVEYS LEGEND:
 #### - DENOTES MEASURED DISTANCE
 (###.###)(#) - DENOTES RECORD DISTANCE PER REFERENCE NUMBER (BELOW)
 ###.###(##) - DENOTES MEASURED AND RECORD DISTANCE PER REF. NO. (BELOW)
 (1) - DENOTES RECORD INFORMATION PER M132-22
 (2) - DENOTES RECORD INFORMATION PER M148-48
 (3) - DENOTES RECORD INFORMATION PER VOLUME 22, PAGE 15.



PREPARED FOR:
 HAYDEN HOMES
 2464 SW GLACIER PLACE,
 SUITE 100
 REDMOND, OR 97756

VOL. 22 PAGE 56 A

VOL. 22 PAGE 56 A

SW CORNER OF LOT 31, ROSEBURG HOME-ORCHARD TRACTS, PLAT "H" FD 5/8" IR W/YPC "I.E. ENG." FALLS S89°31'04"E 0.38', PER M132-22

NOTES:
 1.) FD 5/8" IR AT NW CORNER OF LOT 34, ROSEBURG HOME-ORCHARD TRACTS, PLAT "H", ORIGIN UNKNOWN
 2.) NW CORNER OF LOT 31, ROSEBURG HOME-ORCHARD TRACTS, PLAT "H"

FD 1/2" IP ON THE WEST LINE OF LOT 29, ROSEBURG HOME-ORCHARD TRACTS, PLAT "H", ORIGIN UNKNOWN

DEED DOCUMENT NO. 93-10705

LINE TABLE		
LINE	BEARING	LENGTH
L7	N89°38'49"W (N89°33'59"W)	31.03' 31.14'(2)
L8	N88°58'11"W (N89°01'16"W)	30.00' 30.00'(2)
L9	S75°59'00"E (S76°00'57"E)	56.81' 56.81'(2)
L10	S89°44'44"E (S89°46'41"E)	126.68' 126.72'(2)

CURVE TABLE				
CURVE	LENGTH	RADIUS	DELTA	LONG CHORD
C41	66.59' (66.59')	327.00'	11°40'00" 11°40'03"	S83°28'37"W, 66.47' N83°25'20"E, 66.47'(2)

REGISTERED PROFESSIONAL LAND SURVEYOR
 Paul D. Galli
 OREGON
 JANUARY 10, 2006
 PAUL D. GALLI
 76970
 RENEWAL DATE 6-30-09

SHEET 1 OF 4
 JOB NO: HAY6139.00 MLJ 06/22/07
W R G
 DESIGN INC.
 5415 SW Westgate Dr, Ste 100 Portland, OR 97221
 Tel. 503.419.2500 Fax. 503.419.2600