

CURVE TABLE				
CURVE	CHORD BEARING	CHORD LENGTH	RADIUS	CURVE LENGTH
C1	N75°24'32"W	94.31'	100.00'	98.21'
C2	N18°28'43"W	121.75'	100.00'	130.89'
C3	S42°54'03"E	45.25'	100.00'	45.64'
C4	S70°32'11"E	13.07'	12.00'	13.83'
C5	N75°24'32"W	122.60'	130.00'	127.67'
C6	S47°50'54"E	24.74'	87.50'	24.82'
C7	N18°28'43"W	136.96'	112.50'	147.25'
C6	N39°37'45"W	63.33'	112.50'	64.19'*
C7	N18°28'43"W	106.53'	87.50'	114.53'*

FIELD CREW: RYAN PALMER, JIM FERRIS, DEREK FEIGEL, BRUCE WEBSTER AND CORY LYON

EQUIPMENT: NIKON TOTAL STATION AND SDR 33 DATA COLLECTOR

OFFICE: JERRY ESTABROOK

AFFIDAVIT OF CORRECTION: *
RECORDED JAN 03, 2005 AS
INSTRUMENT No. 2005-000001
COUNTY CLERK RECORDS
C.S. FILE 65/53-1

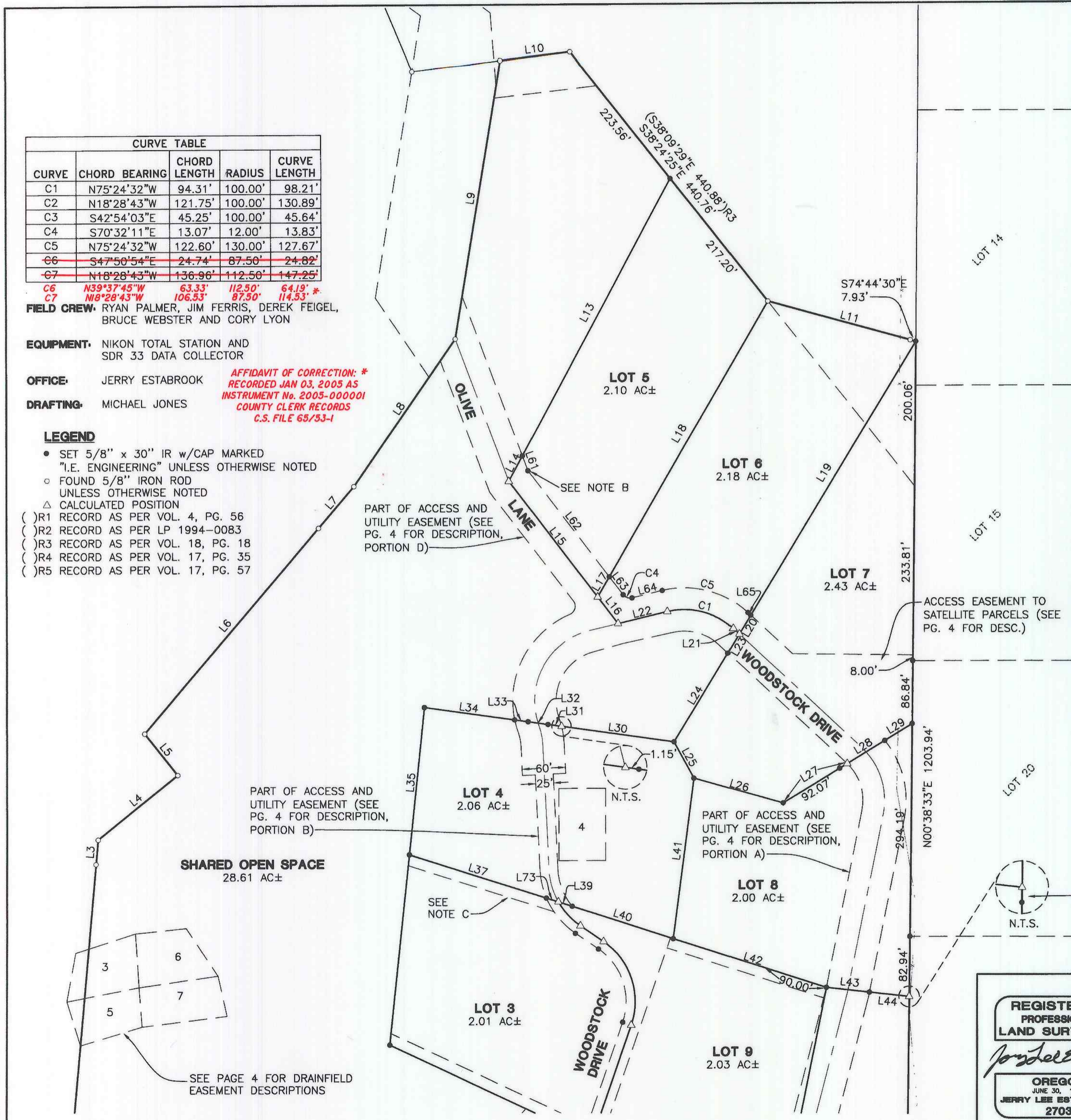
DRAFTING: MICHAEL JONES

LEGEND

- SET 5/8" x 30" IR w/CAP MARKED "I.E. ENGINEERING" UNLESS OTHERWISE NOTED
- FOUND 5/8" IRON ROD UNLESS OTHERWISE NOTED
- △ CALCULATED POSITION
- () R1 RECORD AS PER VOL. 4, PG. 56
- () R2 RECORD AS PER LP 1994-0083
- () R3 RECORD AS PER VOL. 18, PG. 18
- () R4 RECORD AS PER VOL. 17, PG. 35
- () R5 RECORD AS PER VOL. 17, PG. 57

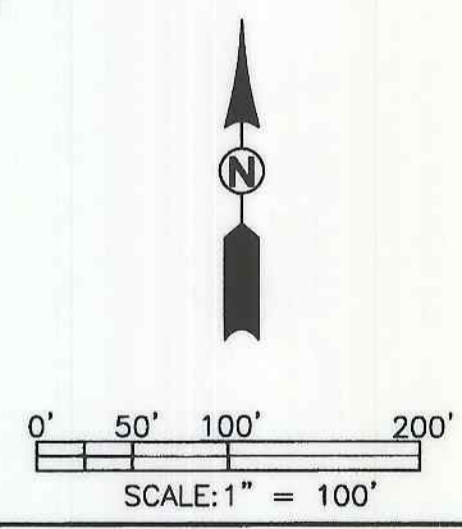
LINE TABLE		
LINE	BEARING	LENGTH
L3	N04°54'43"E (N05°15'18"E)	34.20' 34.20')R2
L4	N51°04'29"E (N51°41'10"E)	142.30' 142.25')R2
L5	N38°35'57"W (N38°18'21"W)	73.51' 73.87')R2
L6	N40°22'52"E (N40°47'00"E)	373.29' 373.14')R2
L7	N40°25'25"E (N40°47'00"E)	75.82' 75.84')R2
L8	N34°35'01"E (N34°44'18"E)	248.14' 248.82')R2
L9	S09°21'14"W (S09°41'49"W)	390.67' 390.52')R2
L10	N83°22'20"E (N83°42'41"E)	97.43' 97.26')R2
L11	N74°38'28"W (N74°26'21"W)	205.29' 205.41')R2
L12	N83°20'55"E (N83°39'35"E)	123.14' 123.07')R3
L13	N28°15'34"E	435.92'
L14	N28°15'34"E	39.89'
L15	N37°31'46"W	201.98'
L16	N37°31'46"W	46.54'
L17	S30°06'05"W	32.44'
L18	S30°06'16"W	440.42'
L19	N31°18'53"E	442.87'
L20	N31°18'50"E	30.60'
L21	S47°16'29"E	11.46'
L22	N76°27'25"E	70.63'
L23	N31°18'50"E	30.60'
L24	N31°18'50"E	143.46'
L25	N28°31'20"W	57.17'

LINE TABLE		
LINE	BEARING	LENGTH
L26	S74°24'48"E	128.59'
L27	S58°39'14"W	104.35'
L28	S58°39'14"W	61.12'
L29	S58°39'14"W	44.65'
L30	N82°08'56"W	158.03'
L31	N82°08'56"W	19.09'
L32	N82°08'56"W	27.67'
L33	N82°08'56"W	18.76'
L34	N82°08'56"W	126.45'
L35	S05°52'29"W	205.00'
L37	S72°22'30"E	199.20'
L39	S72°22'30"E	20.41'
L40	S72°22'30"E	147.57'
L41	S07°17'44"W	224.15'
L42	S72°22'30"E	222.86'
L43	N83°47'05"W	60.25'
L44	N83°47'05"W	55.59'
L61	S20°30'16"E	21.81'
L62	N37°31'46"W	185.15'
L63	N37°31'46"W	31.60'
L64	N76°27'25"E	43.35'
L65	S47°16'29"E	5.41'
L73	S72°22'30"E	17.40'



NOTE C:
15' WIDE UTILITY EASEMENT

NOTE B:
PK NAIL IN ROCK
UNDER WATER IN CREEK



SEE PAGE 4 FOR DRAINFIELD EASEMENT DESCRIPTIONS

<p>REGISTERED PROFESSIONAL LAND SURVEYOR</p> <p><i>Jerry Lee Estabrook</i></p> <p>OREGON JUNE 30, 1995 JERRY LEE ESTABROOK 2703</p> <p>EXPIRES: 12/31/2005</p>	<p>OLIVE HEIGHTS SUBDIVISION</p> <p>LYING IN THE SE 1/4 OF SECTION 2, TOWNSHIP 27, SOUTH, RANGE 6 WEST, WILLAMETTE MERIDIAN, DOUGLAS COUNTY, OREGON</p>	
	<p>SURVEYED FOR:</p> <p>OLIVE HEIGHTS, INC. 164 CLYDE WILLIAM LN. ROSEBURG, OREGON 97470</p>	<p>SURVEYED BY:</p> <p>i.e. ENGINEERING 741 SE Jackson Street Roseburg, Oregon 97470 PHONE (541) 673-0166 FAX (541) 440-9392 iemail@ieengineering.com</p>
<p>SCALE: AS SHOWN</p>	<p>DATE: FEB., 2003</p>	<p>DWG. BY: MLJ</p> <p>JOB NO: 1918-01</p> <p>PAGE: 2 OF 4</p>