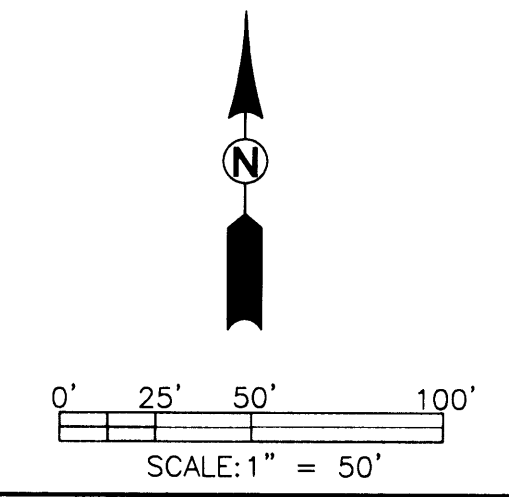


**NOTE:**  
 RECORD BEARINGS AND DISTANCES FROM OUR PREVIOUS SUBDIVISION (PLUM RIDGE SUB. PHASE 1) WERE HELD FOR CALCULATING PARENT PARCEL BOUNDARY.

- LEGEND**
- SET 5/8" x 30" IR w/CAP MARKED "I.E. ENGINEERING" UNLESS OTHERWISE NOTED
  - FOUND 5/8" IRON ROD UNLESS OTHERWISE NOTED
  - △ CALCULATED POSITION
  - ( )R1 RECORD AS PER VOL. 21, PG. 12
  - ( )R2 RECORD AS PER LP 2001-0007

LINE TABLE		
LINE	BEARING	LENGTH
L1	(N00°06'05"W	5.00')R1
L2	S00°06'05"E	5.00'
L3	S00°06'05"E	5.00'
L4	(N00°06'05"W	11.03')R1
L5	(S00°14'47"E	52.02')R1
L6	(S00°26'45"E	47.98')R1
L7	(S00°21'36"E	19.83')R1

CURVE TABLE				
CURVE	CHORD BEARING	CHORD LENGTH	RADIUS	CURVE LENGTH
C1	(N11°24'25"W	46.27'	118.00'	46.57')R1
C2	N45°06'05"W	141.42'	100.00'	157.08'
C3	N45°06'05"W	115.97'	82.00'	128.81'
C4	N35°48'44"W	53.49'	118.00'	53.96'
C5	N63°30'22"W	59.46'	118.00'	60.11'
C6	N84°06'03"W	24.67'	118.00'	24.72'
C7	S44°53'55"W	37.48'	26.50'	41.63'
C8	S44°53'55"W	62.93'	44.50'	69.90'
C9	S78°19'24"E	18.98'	46.50'	19.12'
C10	N86°59'03"W	30.38'	43.50'	31.04'
C11	S53°17'40"W	28.73'	43.50'	29.28'
C12	S05°10'38"W	41.96'	43.50'	43.78'
C13	S16°37'33"E	11.39'	46.50'	11.41'
C14	S04°50'52"E	7.69'	46.50'	7.70'



<p><b>REGISTERED PROFESSIONAL LAND SURVEYOR</b></p> <p><i>Jerry Lee Estabrook</i></p> <p><b>OREGON</b>                  JUNE 30, 1995  <b>JERRY LEE ESTABROOK</b>                  2703</p> <p>EXPIRES: 12/31/2005</p>	<p><b>PLUM RIDGE SUBDIVISION PHASE 2</b>                  LYING IN THE NW 1/4 OF SEC. 22, TOWNSHIP 28 SOUTH,                  RANGE 6 WEST, WILLAMETTE MERIDIAN, DOUGLAS COUNTY, OREGON</p>	
	<p>SURVEYED FOR:                  PDR L.L.C.                  360 S. WOODRIDGE                  COQUILLE, OREGON 97423</p>	<p>SURVEYED BY:  <b>i.e.</b>                  ENGINEERING                  741 SE Jackson Street                  Roseburg, Oregon 97470                  PHONE (541) 673-0166                  FAX (541) 440-9392                  jernall@ieengineering.com</p>
SCALE: AS SHOWN	DATE: DEC., 2003	DWG. BY: MLJ
		JOB NO: 1903-01
		PAGE: 1 OF 2