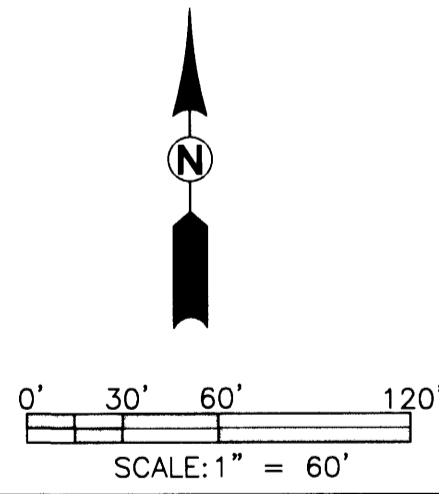


CURVE TABLE				
CURVE	CHORD BEARING	CHORD LENGTH	RADIUS	CURVE LENGTH
C1	N13°34'22"W	146.00'	1462.39'	146.06'
C2	N15°55'57"W (S15°55'57"E	41.20'	1879.86'	41.20'
C3	N35°43'30"W	15.00'	1500.00'	15.00'
C20	N31°27'54"W (S31°27'54"E	27.74'	175.00'	27.77'
C22	N34°43'34"W (N34°43'34"W	33.96'	125.00'	34.07'
C23	N15°23'08"W (S15°23'08"E	77.10'	1879.86'	77.10'
C24	N14°45'27"W (S14°45'27"E	35.90'	1879.86'	35.90'
C27	N35°43'30"W	14.50'	1450.00'	14.50'
C28	N35°43'30"W	14.75'	1475.00'	14.75'

LINE TABLE		
LINE	BEARING	LENGTH
L5	N53°59'19"E (N53°59'19"E	50.00'
L6	S54°33'41"W	25.00'
L7	S54°33'41"W	25.00'

- LEGEND**
- SET 5/8" x 30" IR w/CAP MARKED "I.E. ENGINEERING" UNLESS OTHERWISE NOTED
 - FOUND 5/8" IRON ROD UNLESS OTHERWISE NOTED
 - FOUND BRASS CAP AS NOTED
 - ⊙ FOUND 3/4" IRON PIPE UNLESS OTHERWISE NOTED
 - △ CALCULATED POSITION
- () R1 RECORD AS PER VOL. 19, PG. 10
 - () R2 RECORD AS PER M101-19
 - () R3 RECORD AS PER VOL. 17, PG. 24
 - () R4 RECORD AS PER VOL. 17, PG. 57
 - () R5 RECORD AS PER M108-21
 - () R6 RECORD AS PER M108-52
 - () R7 RECORD AS PER M117-23
 - () R8 RECORD AS PER VOL. 21, PG. 47
 - () R9 RECORD AS PER LP 2004-0012
 - () R10 RECORD AS PER M59-59
 - () R11 RECORD AS PER LP 2004-0029
 - () R12 RECORD AS PER LP 1990-0064
 - () R13 RECORD AS PER VOL. 18, PG. 17
 - () R14 RECORD AS PER VOL. 18, PG. 55
 - () R15 RECORD AS PER VOL. 15, PG. 77
 - () R16 RECORD AS PER CS 63/58-1
 - () R17 RECORD AS PER LP 1998-0115
 - () R18 RECORD AS PER VOL. 21, PG. 49
 - () R19 RECORD AS PER VOL. 21, PG. 1
 - () R20 RECORD AS PER LP 2004-0016
 - () R21 RECORD AS PER LP 1990-0071
 - () R22 RECORD AS PER VOL. 20, PG. 62
 - () R23 RECORD AS PER M63-15
 - () R24 RECORD AS PER VOL. 17, PG. 20



NOTE: 1" STREET PLUG PER "KLINE STREET MULTI-FAMILY P.U.D., PHASE 1" HEREBY DEDICATED TO THE PUBLIC USE FOREVER BY THE CITY OF ROSEBURG (SEE STREET PLUG DEDICATION ON PG. 1)

<p>REGISTERED PROFESSIONAL LAND SURVEYOR</p> <p>OREGON JULY 14, 1978 RONALD A. GUMBLY 1854</p> <p>EXPIRES: 12/31/2006</p>	<p>KLINE STREET SUBDIVISION LYING IN THE S 1/2 OF SEC. 2 AND IN SEC. 11, T 27 S, R 6 W, WILLAMETTE MERIDIAN, DOUGLAS COUNTY, OREGON</p>	
	<p>SURVEYED FOR: JOHN ATKINSON 2631 NW KLINE ROSEBURG, OR 97470</p>	<p>SURVEYED BY: 741 SE Jackson Street Roseburg, Oregon 97470 PHONE (541) 673-0166 FAX (541) 440-9392 iemail@ieengineering.com</p>
<p>SCALE: AS SHOWN</p>	<p>DATE: MARCH, 2005</p>	<p>JOB NO: 104-38</p>