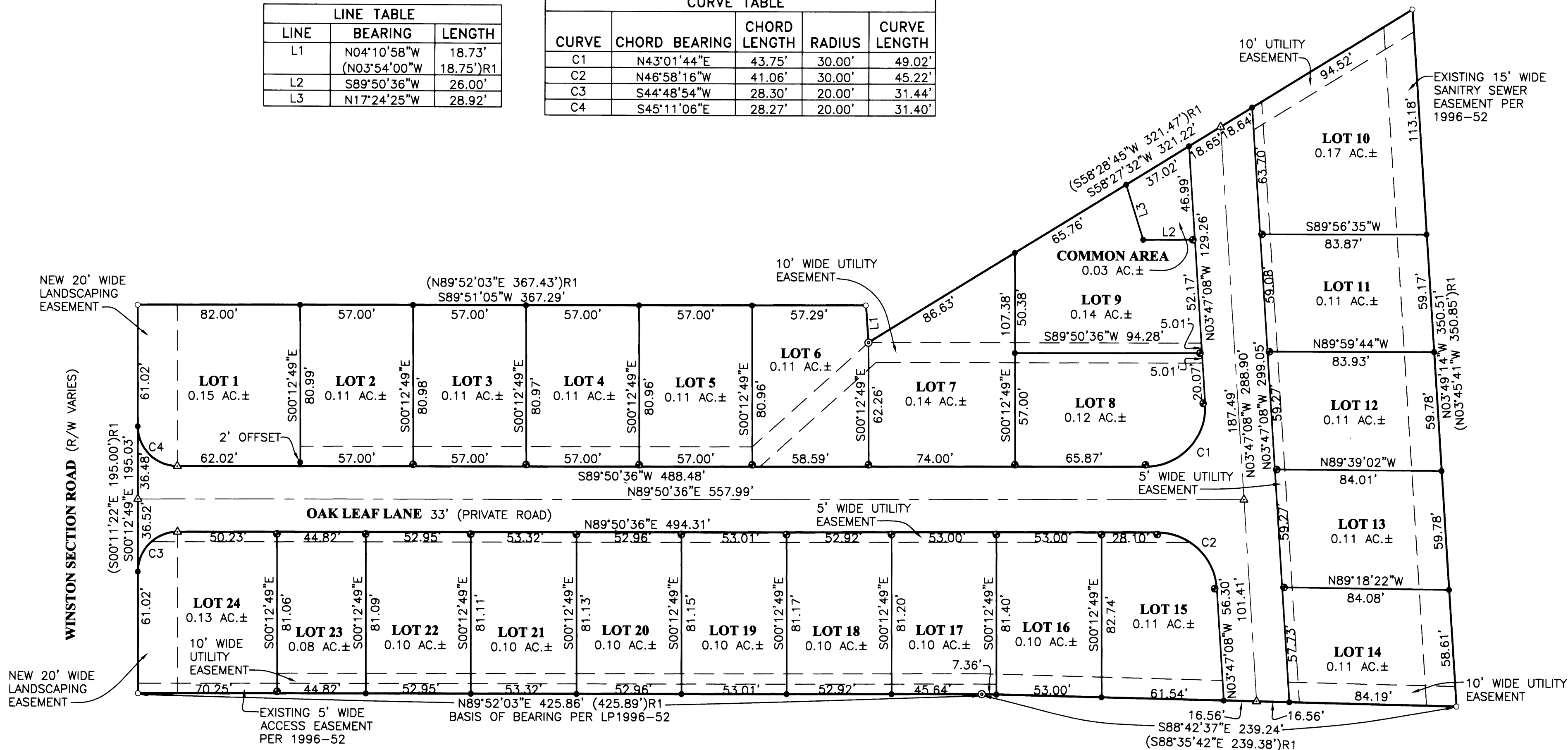


LINE TABLE		
LINE	BEARING	LENGTH
L1	N04°10'58"W (N03°54'00"W)	18.73' (18.75')R1
L2	S89°50'36"W	26.00'
L3	N17°24'25"W	28.92'

CURVE TABLE				
CURVE	CHORD BEARING	CHORD LENGTH	RADIUS	CURVE LENGTH
C1	N43°01'44"E	43.75'	30.00'	49.02'
C2	N46°58'16"W	41.06'	30.00'	45.22'
C3	S44°48'54"W	28.30'	20.00'	31.44'
C4	S45°11'06"E	28.27'	20.00'	31.40'

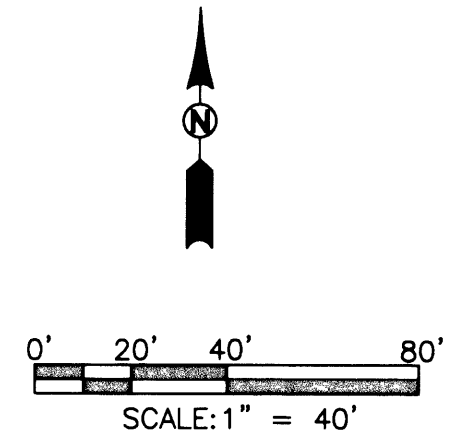


**LEGEND**

- SET 5/8"x30" IR w/CAP MARKED "I.E. ENGINEERING" UNLESS OTHERWISE NOTED
- FOUND 5/8" IRON ROD UNLESS OTHERWISE NOTED
- ⊙ FOUND 1" IRON PIPE
- △ CALCULATED POSITION
- SET 5/8"x30" IR w/CAP MARKED "I.E. ENGINEERING" 1' OFFSET
- ( ) R1 RECORD AS PER LP1996-52

**NOTE:**

THIS SUBDIVISION IS INTENDED FOR MANUFACTURED HOMES. ONLY MANUFACTURED HOMES SHALL BE PLACED ON THESE LOTS.



<p><b>REGISTERED PROFESSIONAL LAND SURVEYOR</b></p> <p><i>Larry E. Monrean</i></p> <p><b>OREGON</b> JULY 13, 1979 <b>LARRY E. MONREAN</b> 1830</p> <p>EXPIRES: 12/31/2006</p>	<p><b>OAKLEAF ESTATES P.U.D.</b></p> <p>LYING IN THE SW 1/4 OF SECTION 22, TOWNSHIP 28 SOUTH, RANGE 6 WEST, WILLAMETTE MERIDIAN, DOUGLAS COUNTY, OREGON</p>	
	<p><b>SURVEYED FOR:</b></p> <p>CLINTON &amp; BETTY BOYTER 1497 WINSTON SECTION RD WINSTON, OREGON 97496</p>	<p><b>SURVEYED BY:</b></p> <p><b>i.e.</b> ENGINEERING</p> <p>741 SE Jackson Street Roseburg, Oregon 97470 PHONE (541) 673-0166 FAX (541) 440-9392 iemail@ieengineering.com</p>
<p>SCALE: AS SHOWN</p>	<p>DATE: JULY, 2004</p>	<p>DWG. BY: STH</p> <p>JOB NO: 1981-01T2</p> <p>PAGE: 1 OF 2</p>